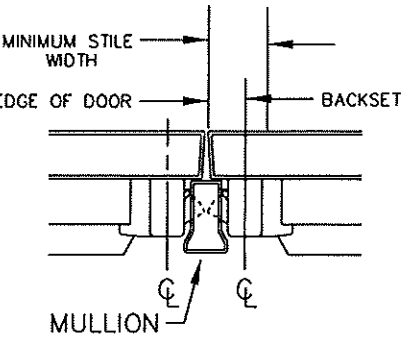
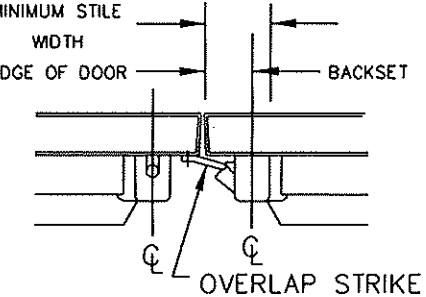


STOP	STRIKE	BACKSET	MINIMUM STILE WIDTH
5/8" (16 mm) STOP	443	1 1/2" (38 mm)	4 1/16" (103 mm)
	430	51" (51 mm)	4 7/16" (113 mm)
	486, 463	2 1/8" (54 mm)	4 5/8" (117 mm)



MULLION	STRIKE	BACKSET	MINIMUM STILE WIDTH
1310	443	1 1/2" (38 mm)	4" (102 mm)
	430	N/A	N/A
	486, 463	2 1/8" (54 mm)	4 9/16" (116 mm)
1330	430	2 1/4" (56 mm)	4 5/8" (117 mm)
	486, 463	2 7/16" (62 mm)	4 3/4" (121 mm)
F1300	430	2 1/2" (63 mm)	4 13/16" (122 mm)
F1340KR	486, 463	2 11/16" (68 mm)	5" (127 mm)



STRIKE	BACKSET	MINIMUM STILE WIDTH
319/320	1 5/8" (41 mm)	4 1/16" (103 mm)

- NOTES:**
1. Pairs of Doors using Mullions may not be prepped with ANSI 161.1 Door Prep.

NOT TO SCALE
NOTES:

1. SEE MASTER SHEET #T-0001 FOR SUGGESTED DOOR REINFORCEMENT.
2. SEE ADDITIONAL TRIM TEMPLATE WHEN REQUIRED.

REV. No. 5 REVISION: ANSI 161.1 DOOR PREP NOTE DATE: 8-16-15



8300 & F8300 x 80DTP
8300 & F8300 x 8003P
RIM TYPE EXIT DEVICE

TEMPLATE NUMBER
T-1024 ⑤