

INSTALLATION

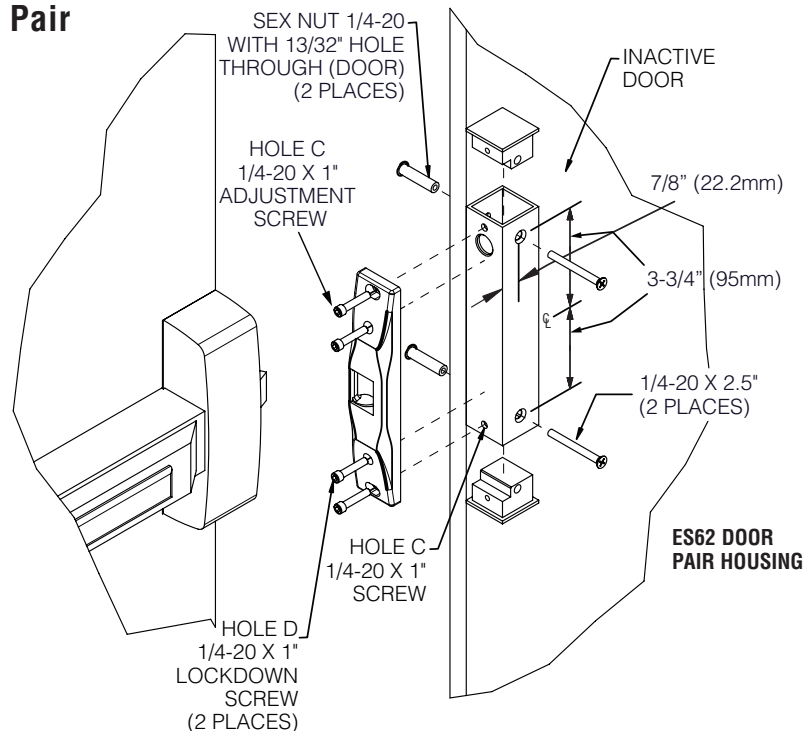
ES62 - DOOR PAIR HOUSING ELECTRIC STRIKES

Instructions

1. Mark horizontal center line (CL) of existing device latch from active door to inactive door. Align center of Door Pair Housing (DPH) with horizontal centerline marked on inactive door and square it with edge of the inactive door. **Maintain 3/16" minimum gap between the exit device & strike face for proper functioning of exit device. See ISES62 for details.**
2. Mark the mounting holes for the DPH on the inactive door using DPH as template.
3. Drill two 13/32" (10.5mm) holes through inactive door).
4. Mount DPH to inactive door using hardware as shown.
Note: Wire access hole is not provided, drill DPH as required.
5. Make wire connections from the power source to the appropriate wire harness supplied. Use the 12V harness for 12VDC, 12-24VAC or 11-16VAC. Use the 24V harness only for 24VDC.
6. Mount the electric strike with 1/4-20 UNC (Hole C) screws provided in the outer oval mounting holes (the outer slots). Adjust electric strike horizontally until exit device latch fully engages with the door closed.
Note: Ensure a 1/16" [1.5mm] clearance between exit device latch and the electric strike keeper is maintained.
7. Tighten the two mounting screws and check operation. Adjust the horizontal position of electric strike as required.
8. Using the electric strike as a marking template, drill & tap for 1/4-20 UNC (Hole D). Using the 1/4-20 UNC screws provided secure the electric strike through the locking holes.
Note: ES62 strike is not adjustable after installing these screws.

IMPORTANT: The fire and/or security ratings shown on the ES62(F) strike labels no longer apply with the use of the Door Pair Housing.

ES62 Typical Door Pair Housing Assembly



INSTALLATION

ES61 - DOOR PAIR HOUSING ELECTRIC STRIKES

Instructions

1. Mark center line (CL) of existing device latch from active door to inactive door. Align center of Door Pair Housing (DPH) with horizontal centerline marked on inactive door and square it with edge of the inactive door. Maintain 3/16" minimum gap between the exit device & strike face for proper functioning of exit device. **See ISES61 for details.**
2. Mark the mounting holes for the Door Pair Housing (DPH) on the inactive door using DPH as template.
3. Drill two 13/32" (10.5mm) holes through inactive door.
4. Drill wire access hole into desired area of DPH. Pull two (2) wires through the access hole and connect to strike (polarity is not critical).
5. Temporarily mount ES61 strike to DPH through the slotted holes (Hole C) using 1/4-20 UNC x 1" screws provided.
6. Mount DPH to inactive door using the two (2) 1/4-20 x 3" screws and 1/4-20 Sex Nuts supplied.
7. Adjust electric strike insert horizontally, if necessary, until Pullman Latch engages when door is closed. (See Fig. 3 on **ES61 installation instructions** if further horizontal insert adjustment is necessary).
8. Mark, drill and tap Hole D for 1/4-20 x 1" provided to secure the final location.

IMPORTANT: The security ratings shown on the ES61 strike labels no longer apply with the use of the Door Pair Housing.

ES61 Typical Door Pair Housing Assembly

