



**DRAFT**

## 8110 Offset Square Entrance Pull Handles

dormakaba's offset square entrance pull handles epitomize the high quality ambitions of the dormakaba brand – designed for excellence down to the very last detail and exuding fine craftsmanship. They offer genuine quality, characterised by clearly defined features – irrespective of shape or size.

Created in solid, premium 316 Marine Grade Stainless Steel offering superior corrosion resistance for internal and external use in high traffic buildings. The round section allows comfortable ease of use.

The 8110 entrance pull handles are an ideal choice for residential and commercial applications and are suitable for use on glass, timber and aluminium doors.

### Features at a glance:

- 316 Marine Grade Stainless Steel
- Designed with your project's needs in mind
- High durability with concealed fixings
- Standard finishes: SSS and PSS
- Powdercoat and custom finishes available on request

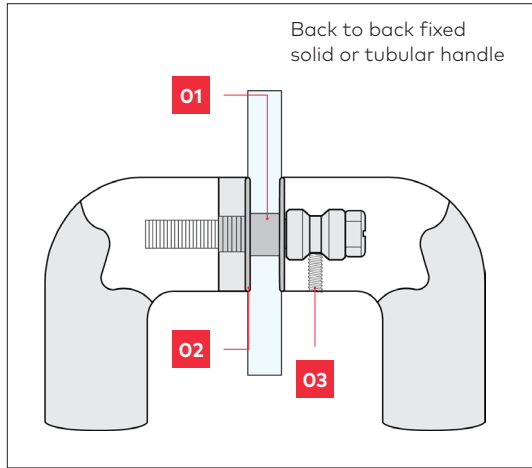
Please refer to ordering details for a range of optional accessories to suit:

- Back to back extended fixing for timber doors
- Back to back fixing for glass doors
- Disc fixing for timber doors
- Disc fixing for glass doors

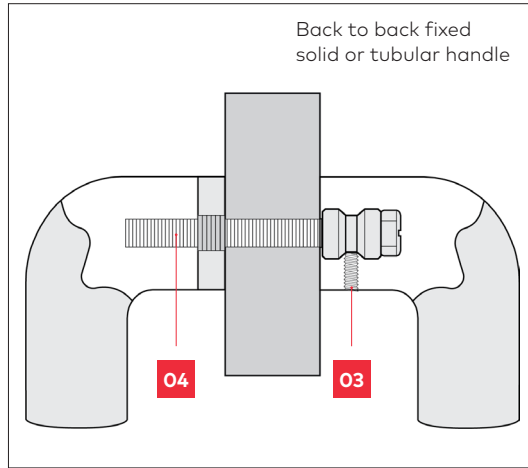
dormakaba Australia  
Head Office  
12-13 Dansu Court  
Hallam VIC 3803  
T: 1800 675 411  
[info.au@dormakaba.com](mailto:info.au@dormakaba.com)  
[www.dormakaba.com.au](http://www.dormakaba.com.au)

dormakaba New Zealand  
Head Office  
Building P, 61-69 Patiki Road  
Avondale, Auckland 1026  
T: 0800 436 762  
[info.nz@dormakaba.com](mailto:info.nz@dormakaba.com)  
[www.dormakaba.co.nz](http://www.dormakaba.co.nz)

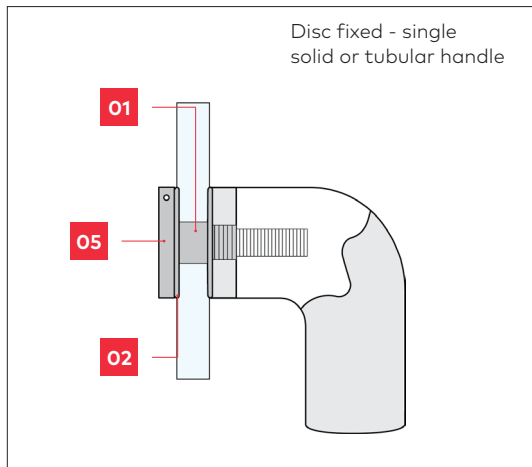
# Fixing options



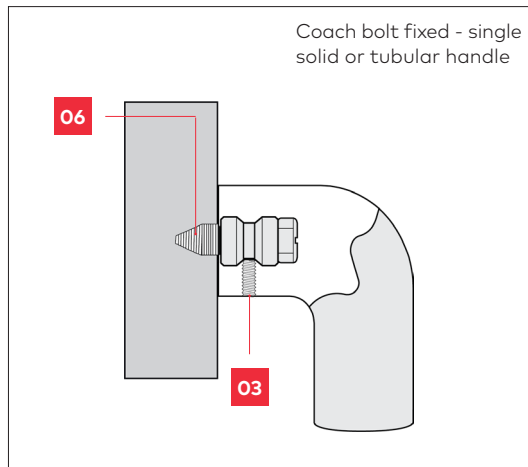
**GD FIX** - glass doors



**TM FIX** - timber or metal doors



**D FIX** - glass, metal or timber doors



**C FIX** - timber doors only

**Note**

Nylon spacers and washers are included with handle for glass door fixing option.

**Legend**

- 01** Spacer
- 02** Washer
- 03** Grub Screw
- 04** Bolt
- 05** Disc
- 06** Coach Bolt

**TIMBER DOOR FIXING**

Material Size	Bolt Size
14mm Ø	5mm
16mm Ø	5mm
19mm Ø	8mm
25mm Ø	8mm
32mm Ø	8mm

**METAL DOOR FIXING**

Material Size	Bolt Size
14mm Ø	5mm
16mm Ø	5mm
19mm Ø	8mm
25mm Ø	8mm
32mm Ø	8mm

**GLASS DOOR FIXING**

Material Size	Bolt Size
14mm Ø	12mm Ø
16mm Ø	12mm Ø
19mm Ø	12mm Ø
25mm Ø	12mm Ø
32mm Ø	12mm Ø

# Ordering details

Item	Article Number	Description	Section	Width	Length	Fixing Center	Projection
<b>BACK TO BACK FIXING</b>							
B8110/400/25/PSS	9458113534102	B8110/400/25 OA 425 CTC 400 PSS	25mm	75mm	425mm	400mm	65mm
B8110/400/25/SSS	9458113534101	B8110/400/25 OA 425 CTC 400 SSS	25mm	75mm	425mm	400mm	65mm
B8110/600/25/PSS	9458114734102	B8110/600/25 OA 625 CTC 600 PSS	25mm	75mm	625mm	600mm	65mm
B8110/600/25/SSS	9458114734101	B8110/600/25 OA 625 CTC 600 SSS	25mm	75mm	625mm	600mm	65mm
B8110/800/25/PSS	9458115814102	B8110/800/25 OA 825 CTC 800 PSS	25mm	75mm	825mm	800mm	65mm
B8110/800/25/SSS	9458115814101	B8110/800/25 OA 825 CTC 800 SSS	25mm	75mm	825mm	800mm	65mm
B8110/1000/25/PSS	9458116654102	B8110/1000/25 OA 1025 CTC 1000 PSS	25mm	75mm	1025mm	1000mm	65mm
B8110/1000/25/SSS	9458116654101	B8110/1000/25 OA 1025 CTC 1000 SSS	25mm	75mm	1025mm	1000mm	65mm
B8110/1500/25/PSS	9458118394102	B8110/1500/25 OA 1525 CTC 1500 PSS	25mm	75mm	1525mm	1500mm	65mm
B8110/1500/25/SSS	9458118394101	B8110/1500/25 OA 1525 CTC 1500 SSS	25mm	75mm	1525mm	1500mm	65mm
<b>ACCESSORIES - EXTENDED FIXINGS - sold as a pair</b>							
TM/M8/50	9459508058200	M8/50 FERULE HEAD BOLT TM FIX	<p><b>Note: When ordering extended fixings please use the below formula.</b></p> <p>Door thickness + 20mm for the Ferule + 10mm in to the other handle = round up to the nearest size offered.</p>				
TM/M8/75	9459758078200	M8/75 FERULE HEAD BOLT TM FIX					
TM/M8/90	9400000012887	M8/90 BOLT & 16MM FERULE TM FIX					
TM/M8/100	9400000012888	M8/100 BOLT & 16MM FERULE TM FIX					
TM/M8/110	9459118118200	M8/110 BOLT & 16MM FERULE TM FIX					
TM/M8/120	9459128128200	M8/120 BOLT & 16MM FERULE TM FIX					
TM/M8/130	9459138138200	M8/130 BOLT & 16MM FERULE TM FIX					
TM/M8/150	9459158158200	M8/150 BOLT & 16MM FERULE TM FIX					
<b>ACCESSORIES - GLASS FIXINGS - sold as a pair</b>							
GF25/M8/50 SQU	9459502588302	25 DIA SQU GLASS FIXING PAIRS					
<b>CONCEALED FIXING</b>							
C8110/400/25/PSS	9458113534202	C8110/400/25 OA 425 CTC 400 PSS	25mm	75mm	425mm	400mm	65mm
C8110/400/25/SSS	9458113534201	C8110/400/25 OA 425 CTC 400 SSS	25mm	75mm	425mm	400mm	65mm
C8110/600/25/PSS	9458114734202	C8110/600/25 OA 625 CTC 600 PSS	25mm	75mm	625mm	600mm	65mm
C8110/600/25/SSS	9458114734201	C8110/600/25 OA 625 CTC 600 SSS	25mm	75mm	625mm	600mm	65mm
C8110/800/25/PSS	9458115814202	C8110/800/25 OA 825 CTC 800 PSS	25mm	75mm	825mm	800mm	65mm
C8110/800/25/SSS	9458115814201	C8110/800/25 OA 825 CTC 800 SSS	25mm	75mm	825mm	800mm	65mm
C8110/1000/25/PSS	9458116654202	C8110/1000/25 OA 1025 CTC 1000 PSS	25mm	75mm	1025mm	1000mm	65mm
C8110/1000/25/SSS	9458116654201	C8110/1000/25 OA 1025 CTC 1000 SSS	25mm	75mm	1025mm	1000mm	65mm
C8110/1500/25/PSS	9458118394202	C8110/1500/25 OA 1525 CTC 1500 PSS	25mm	75mm	1525mm	1500mm	65mm
C8110/1500/25/SSS	9458118394201	C8110/1500/25 OA 1525 CTC 1500 SSS	25mm	75mm	1525mm	1500mm	65mm

# Ordering details

Item	Article Number	Description	Section	Width	Length	Fixing Center	Projection
<b>DISC FIXING</b>							
D8110/400/25/PSS	9458113534302	D8110/400/25 OA 425 CTC 400 PSS	25mm	75mm	425mm	400mm	65mm
D8110/400/25/SSS	9458113534301	D8110/400/25 OA 425 CTC 400 SSS	25mm	75mm	425mm	400mm	65mm
D8110/600/25/PSS	9458114734302	D8110/600/25 OA 625 CTC 600 PSS	25mm	75mm	625mm	600mm	65mm
D8110/600/25/SSS	9458114734301	D8110/600/25 OA 625 CTC 600 SSS	25mm	75mm	625mm	600mm	65mm
D8110/800/25/PSS	9458115814302	D8110/800/25 OA 825 CTC 800 PSS	25mm	75mm	825mm	800mm	65mm
D8110/800/25/SSS	9458115814301	D8110/800/25 OA 825 CTC 800 SSS	25mm	75mm	825mm	800mm	65mm
D8110/1000/25/PSS	9458116654302	D8110/1000/25 OA 1025 CTC 1000 PSS	25mm	75mm	1025mm	1000mm	65mm
D8110/1000/25/SSS	9458116654301	D8110/1000/25 OA 1025 CTC 1000 SSS	25mm	75mm	1025mm	1000mm	65mm
D8110/1500/25/PSS	9458118394302	D8110/1500/25 OA 1525 CTC 1500 PSS	25mm	75mm	1525mm	1500mm	65mm
D8110/1500/25/SSS	9458118394301	D8110/1500/25 OA 1525 CTC 1500 SSS	25mm	75mm	1525mm	1500mm	65mm
<b>ACCESSORIES - DISC FIXINGS - sold as a pair</b>							
DF25/M8/75 PSS	9459752588102	25MM DISK FIX PAIR M8 X 75MM PSS					
DF25/M8/75 SSS	9400000014108	25MM DISK FIX PAIR M8 X 75MM SSS					
<b>ACCESSORIES - GLASS FIXINGS - sold as a pair</b>							
GDF25/M8/50 PSS	9459502588102	25MM GLASS DISK FIX PSS PAIR M8 X 50MM					
GDF25/M8/50 SSS	9459502588101	25MM GLASS DISK FIX SSS PAIR M8 X 50MM					