

INSTALLATION



PB75

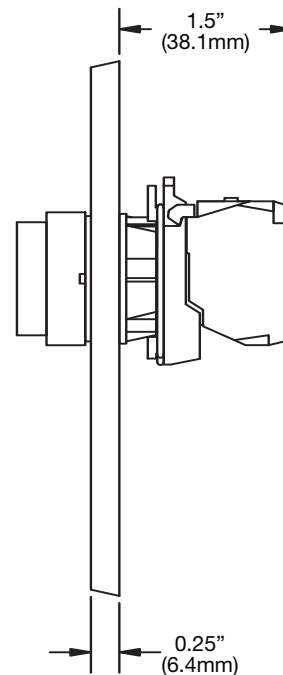
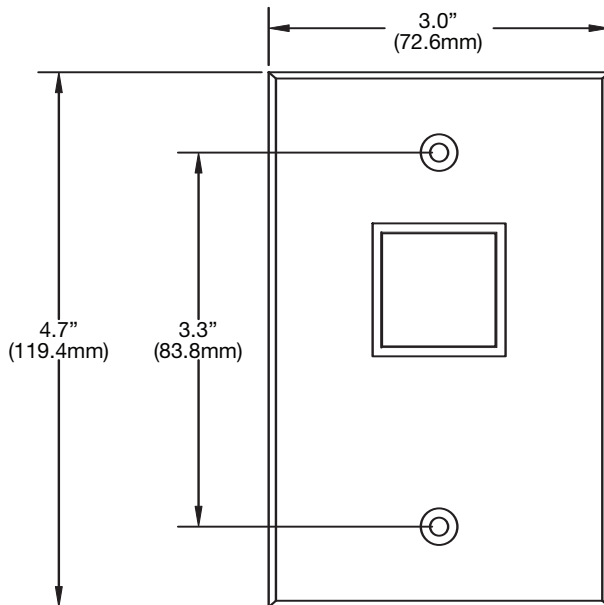
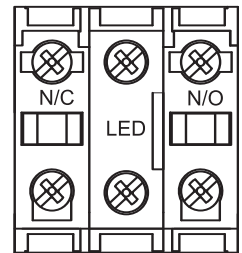
Push Buttons

Instructions

1. Connect device to be controlled to N/O or N/C terminals as required.
2. Connect appropriate supply voltage to LED power terminals (optional)
3. Insert excess wiring into electrical box (not provided) and install switch cover plate to box.

NOTE: Contact and LED modules may be different than example shown depending on which model is ordered. See back of Switch for details on configuration.

Switch View



Switch Contact Specifications

Voltage	Current Rating
24VAC	4A Max
120VAC	8A Max
24VDC	0.5A Max

LED Module Specifications

LED Voltage	LED Current Draw
12VAC/DC	36mA
24VAC/DC	18mA

Cycle Rating of Switch modules: 5,000,000 cycle Operating Temperature: - 13°F to 158°F (-25°C to 70°C)

Items Include:

- PB74 (12V) or PB75 (24V)
- Pushbutton (1)
- #6 Spanner Head Screws (3)
- Thumb Driver Tool (1)
- Installation Instructions (1)