

SolitaireSMART Series

Electronic Locking Devices & Accessories

Lock Overview

The SolitaireSMART System adds the power of Smart card technology to the functionality of the Solitaire 710-II System. The SolitaireSMART locks and FDUs (with external Kaba SMARTKeycard encoder) can read and encode information on the memory chip contained in Smart cards, giving the lock the ability to communicate with the FDU via the Smart card. The SolitaireSMART lock also works with magnetic stripe cards, allowing you to choose which sections of your facility will be protected with the latest Smart card technology, or to upgrade your premises one section at a time. SolitaireSMART can be used to create two security levels, using Smart technology to protect long-term guests, penthouse suites, secure storage rooms, and other security sensitive areas, and retaining low-cost magnetic stripe keycards in other areas.

Smart cards are virtually impossible to duplicate. They provide hotels with the highest security available and a variety of advanced features supported by the lock's ability to write to the Smart card memory. Smart cards can store the audit from a lock and transport it to the FDU, eliminating the need to carry the FDU to the lock. Staff SMARTkeycards record an audit trail of their last 100 transactions, allowing management to monitor staff movements and routines easily by inserting the staff member's Smart card into the FDU Smart technology reader.

The SolitaireSMART lock is similar to the Solitaire 710-II lock, featuring the same shape and heavy-duty construction, ADA compliant lever handles, cylindrical or mortise versions (standard or slim), anti-pick latch and 1" solid deadbolt. The SolitaireSMART lock can be customized with the logo of your establishment, and the SolitaireSMART offers finishes to complement any hotel decor. Like the 710-II Series, the SolitaireSMART lock maintains an audit trail of the last 350 entries.

Applications

- Suitable for indoor applications only
- Suitable for any size of hotel, with no practical limit on the number of locks
- Easily replaces existing mechanical or electronic door locks throughout a facility
- Access control for guest rooms and facilities or back-of-the-house

Product Benefits

- Increase security immediately and economically
- Reduce re-keying costs
- No wiring
- Guests and staff find the system easy to use
- SMART technology enables staff audits to increase efficiency and security
- Can be integrated into an existing master key system
- Refined finishes and lock design complements your existing decor
- Easy to expand
- Locks can be audited using a keycard
- Lost or stolen keycards pose no threat
- ADA thumbturn Adapter for Disability rooms

Security Features

- SMARTKeycards provide high keycard security
- Audit trail of staff movements is recorded on each staff SMARTKeycard
- Vandalism and attack resistant
- 1" solid deadbolt (optional auto deadbolt)
- Lock and system audit trails deter unauthorized entry and inappropriate use
- Emergency access by emergency keycard or mechanical key override (audited) or electrical override reduces risk of drilling lock
- Override options:
 - Electrical override: Concealed, external battery backup.
 - Mechanical key override: Concealed; Lori cylinder with reversed lockwood 1004 A keyway
 - Mechanical key override with removable core: Ilco core, Best and Medeco adapter

SolitaireSMART Series

Electronic Locking Devices & Accessories



Lock Overview

Low Maintenance

- Operates with keycard in insert motion in open reader slot so foreign objects are easily removed
- Batteries last for up to 80,000 openings or approximately 2 years
- Low battery indicator alerts staff
- Lock programming and audit are not erased during battery replacement
- Wear resistant construction and finish

Cards and Accessories

- Off the shelf SMART, dual technology and magnetic stripe keycards
- Staff SMARTKeycard
- Keeps a record of which doors the Staff member accessed and at what time
- Useful to monitor employee performance, reduces internal theft
- Holds the last 100 transactions in memory
- Using the FDU, the audit can be printed, viewed on screen and/or transferred to file
- Audit SMARTKeycard
- Extracts the last 350-event audit trail from the SolitaireSMART lock, rather than using the FDU and infrared communications port (all that needs to be carried is the Audit SMARTKeycard)
- Using the FDU, the audit can be printed, viewed on screen and/or transferred to file
- Custom printed keycards advertise your establishment or related services (including embossed keycards)
- Cleaning cards

Mechanical Features

Description:	Heavy duty electronic lockset (mortise or cylindrical) with clutch mechanism and built-in SMART technology and magnetic stripe card reader
Handing:	Left or Right factory handed
Lever type:	ADA compliant, outside lever free to rotate upward and downward in locked mode Lever clearance (space from end of lever to door) Long Lever Solitaire 710 = 1/16" (1.6mm) Solitaire 710-II = 1/16" (1.6mm) Short Lever Solitaire 710 = 5/8" (15.63mm) Solitaire 710-II = 7/8" (21.88mm)
Knob Option:	Spherical knob for inside and/or outside housing, non-ADA compliant, outside knob free to rotate in locked mode (available for Solitaire 710-II only). Distance from door to end of knob Outside housing = 3.25" (82.55mm) Inside housing = 3.375" (85.725 mm)
Deadbolt:	1" (25 mm) (for ASM Mortise) or 27/32" (21.4 mm) (for SSM Mortise) solid metal projected by inside thumbturn and retracted with the latch by the interior handle, emergency override or specific staff keycards. Optional auto deadbolt available.
Dimensions:	Door thickness from 1 3/8" to 2 1/2" (35mm to 66mm); 5 different door thicknesses, Lever return within 1/2" of door
Shipping weight:	11.1 lbs (5.05 kg)
Housing construction:	Cast zinc alloy
Standard finishes:	Satin Chrome, Satin Brass
Custom finishes:	Available in dual and split finishes, call factory

SolitaireSMART Series

Electronic Locking Devices & Accessories

Batteries

Alkaline:	4 AA for operation between 23°F and 140°F (-5°C and 60°C) Up to 80,000 openings or approximately 2 years (based on 10 openings per day) Low battery indicator: Last 2,000 openings
------------------	--

Lock Operation

Keycards accepted:	Contact Smart card conforms to ISO 7816; Low coercivity track 1, 2 or 3 magnetic-stripe keycards
Date/time stamp:	Real time; date and hours/minutes
Programming:	Using the FDU with communication cables
Audit trail downloading:	Using an Audit SMARTKeycard or the FDU with communication cables
Pre-registered keycards:	Up to 10 days in advance
Keycard expiry:	From 1 hour to 7 years, depending on type and setup
Passage mode:	Set by authorized keycard
Lockout mode:	Set by authorized keycard
Feedback:	"Dual sensory" audible and visible indicators
Audit memory:	Last 350 transactions

Certification and testing

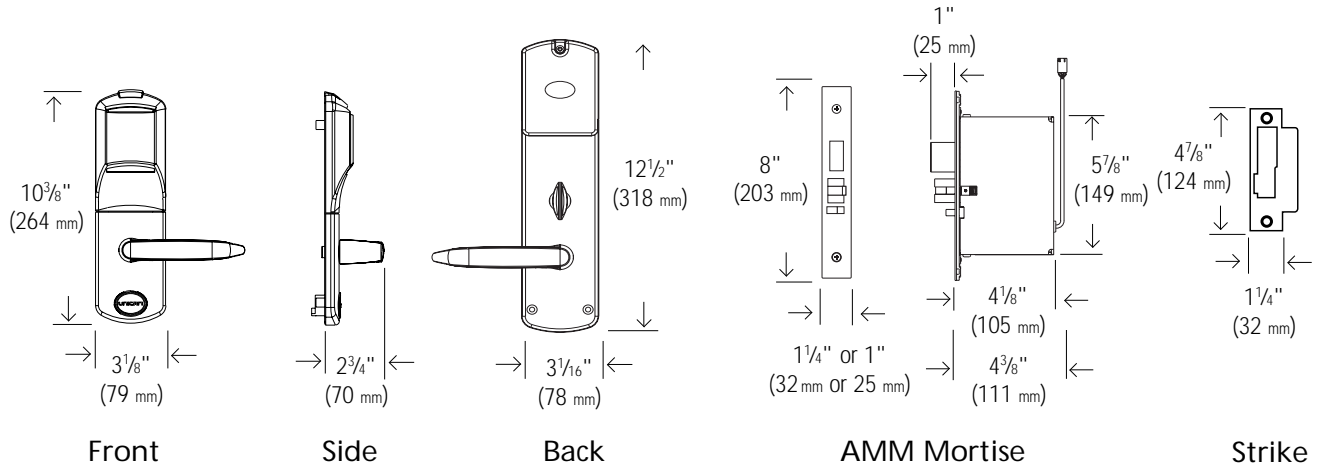
Accessibility standard:	ADA compliant lever handles
Fire rating:	Meets UL 10B and ULC S-104; on fire door rated up to an including 3 hours
Electronics:	FCC Part 15 Class A and CE directive 89/336/EEC compliant
Durability:	Meet requirements of ANSI A156.25 for dust, rain, humidity and salt spray corrosion tests
Environmental operating conditions:	32°F to 151°F (0°C to 66°C), for inside housing 0% to 85% non-condensing humidity at 86°F (30°C) -31°F to 151°F (-35°C to 66°C) for outside housing

Warranty

Warranty:	2 years
-----------	---------

SolitaireSMART Series

ANSI Mortise (AMM) Lock



Standard Model (Example)														
7	4	0	1	0	3	1	K	R	1	2	-	6	2	6
Model			Locking Device		Track	Lever Type	Key Override	Handing	Version	Door Thick.		Finish		

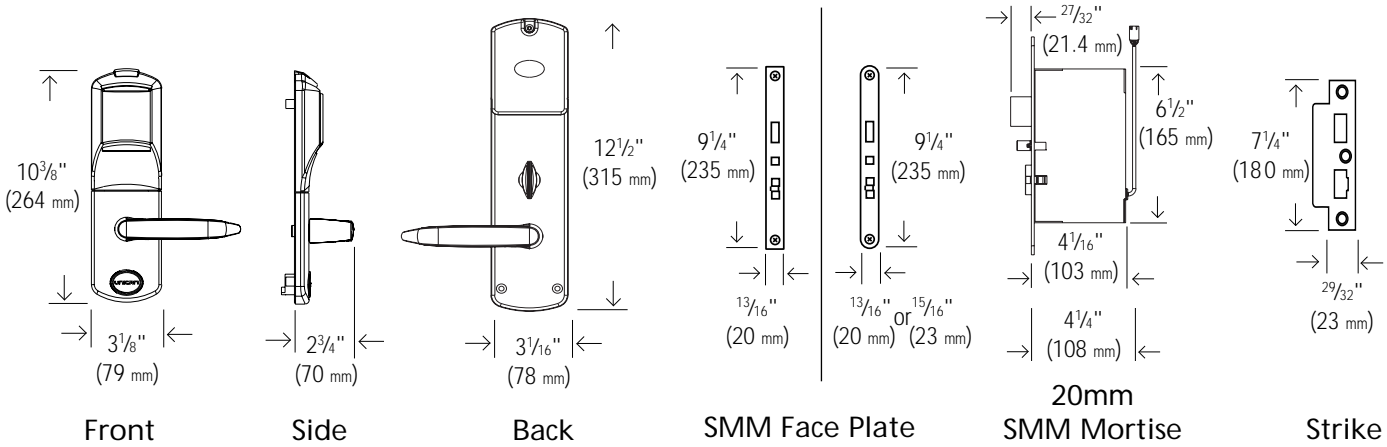
Build the model number with the desired options														
7	4								1		-			
Model			Locking Device		Track	Lever Type	Key Override	Handing	Version	Door Thick.		Finish		

SMART

Model	Locking Device	Track	Lever Type	Key Override	Handing	Version	Door Thickness	Finishes			
740 Hotel Lock Deadbolt operated by thumbturn. Recommended for guest rooms. 745 Shabbat Lock Deadbolt operated by thumbturn. Recommended for guest rooms. Shabbat compliant lock.	10 AMM with 1 ¹ / ₄ " (32 mm) face plate 11 AMM with 1" (25 mm) face plate 16 Auto Deadbolt with 1 ¹ / ₄ " (32 mm) face plate 17 Auto Deadbolt with 1" (25 mm) face plate	1	Front / Back Long Short Knob 45° Decorative	Override K Mechanical key core Lori Universal (1539) Key-in-Knob Removable core U Ilco cylinder, Keyed alike B Best 6 or 7 pin cylinder adapter M Medeco 6 pin cylinder adapter	L Left R Right X Left Hand Reverse Y Right Hand Reverse (See page 5 for handing information)	1 Ilco Format Magnetic Encoding	1 1 ³ / ₈ " - 1 ¹ / ₂ " (35-40 mm) 2 1 ⁵ / ₈ " - 1 ³ / ₄ " (41-46 mm) 3 1 ⁷ / ₈ " - 2" (47-52 mm) 4 2 ¹ / ₈ " - 2 ¹ / ₄ " (53-58 mm) 5 2 ³ / ₈ " - 2 ¹ / ₂ " (59-65 mm) V *Variables * To be used only when mortise unit is not centered in the door or that door thickness is greater than 2 ¹ / ₂ " (66 mm).	626 Satin Chrome 606 Satin Brass Optional 612 Satin Bronze			
	741 Storeroom Lock No Deadbolt, no thumbturn, no privacy. Recommended for closets or common areas.		12 AMM with 1 ¹ / ₄ " (32 mm) face plate 13 AMM with 1" (25 mm) face plate						2	A Long/Knob B Knob/Knob C Short/Knob	
			742 Office Lock No Deadbolt. Privacy activated with thumbturn. Recommended for offices.						14 AMM with 1 ¹ / ₄ " (32 mm) face plate 15 AMM with 1" (25 mm) face plate	3	8 Long/Long Inside at 45° H Short/Short Inside at 45° D Decorative E Decorative/Knob
									743 Dummy Trim No moving parts, no electronics. For aesthetic use only.	00 No locking mechanism	0

SolitaireSMART Series

Slim Mortise (SMM) Lock



Standard Model (Example)



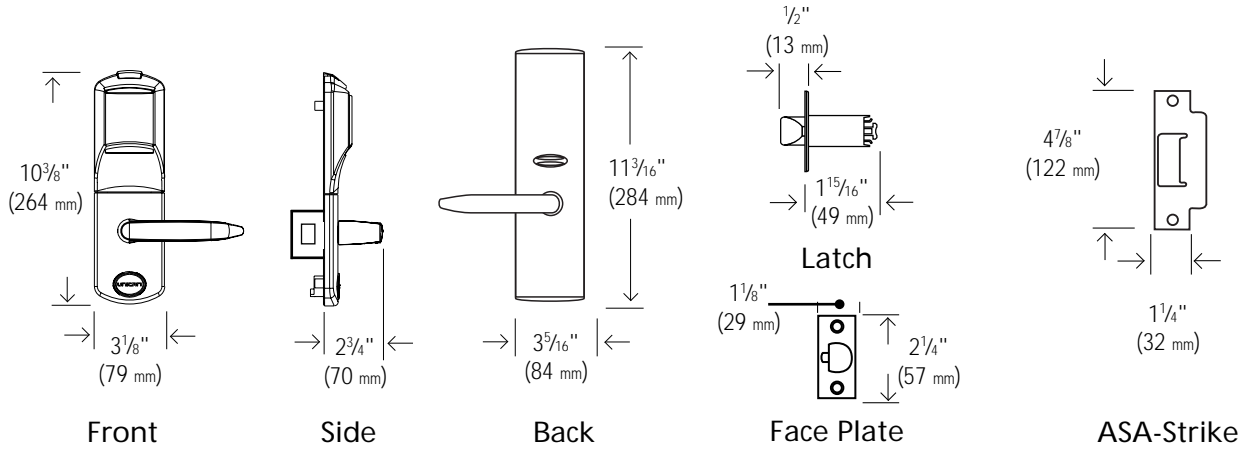
Build the model number with the desired options



Model	Locking Device	Track	Lever Type	Key Override	Handing	Version	Door Thickness	Finishes
740 Hotel Lock Deadbolt operated by thumbturn. Recommended for guest rooms.	20 SMM with 1 ³ / ₁₆ " (20 mm) round face plate 21 SMM with 1 ³ / ₁₆ " (20 mm) square face plate	1	Front / Back Long	Override K Mechanical key core Lori Universal (1539) Key-in-Knob Removable core U Ilco cylinder, Keyed alike	L Left R Right	1 Ilco Format Magnetic Encoding	1 1 ³ / ₈ " - 1 ¹ / ₂ " (35-40 mm) 2 1 ⁵ / ₈ " - 1 ³ / ₄ " (41-46 mm)	626 Satin Chrome 606 Satin Brass
			Short Knob 45° Decorative					
745 Shabbat Lock Deadbolt operated by thumbturn. Recommended for guest rooms. Shabbat compliant lock.	22 SMM with 2 ⁹ / ₃₂ " (23 mm) round face plate 23 SMM with 1 ³ / ₁₆ " (20 mm) round face plate	1	1 Long/Long 2 Long/Short 3 Short/Long 4 Short/Short	B Best 6 or 7 pin cylinder adapter M Medeco 6 pin cylinder adapter	X Left Hand Reverse Y Right Hand Reverse	3 1 ⁷ / ₈ " - 2" (47-52 mm) 4 2 ¹ / ₈ " - 2 ¹ / ₄ " (53-58 mm) 5 2 ³ / ₈ " - 2 ¹ / ₂ " (59-65 mm)	Optional 612 Satin Bronze	
			A Long/Knob B Knob/Knob C Short/Knob 8 Long/Long Inside at 45° H Short/Short Inside at 45° D Decorative Levers E Decorative/Knob					
741 Storeroom Lock No Deadbolt, no thumbturn, no privacy. Recommended for closets or common areas.	24 SMM with 1 ³ / ₁₆ " (20 mm) square face plate 25 SMM with 2 ⁹ / ₃₂ " (23 mm) round face plate	3	Use short lever or knob when moldings are within 4 ¹ / ₂ " (11 cm) & 8"(20cm) from the edge of the door.	0	(See page 5 for handing information)	V *Variables * To be used only when mortise unit is not centered in the door or that door thickness is greater than 2 ¹ / ₂ " (66 mm).		
742 Office Lock No Deadbolt. Privacy activated with thumbturn. Recommended for offices.	26 SMM with 1 ³ / ₁₆ " (20 mm) round face plate 27 SMM with 1 ³ / ₁₆ " (20 mm) square face plate	0		0				
743 Dummy Trim No moving parts, no electronics. For aesthetic use only.	28 SMM with 2 ⁹ / ₃₂ " (23 mm) round face plate 00 No locking mechanism	0						

SolitaireSMART Series

Cylindrical Lock



Standard Model (Example)														
7	4	1	5	0	3	1	K	R	1	2	-	6	2	6
Model			Locking Device		Track	Lever Type	Override	Handing	Version	Door Thick.		Finish		

Build the model number with the desired options														
7	4		5	0					1		-			
Model			Locking Device		Track	Lever Type	Override	Handing	Version	Door Thick.		Finish		

Model	Locking Device	Track	Lever Type	Override	Handing	Version	Door Thickness	Finishes
741 Storeroom Lock No Deadbolt, no thumbturn, no privacy. Recommended for closets or common areas.	50 2 ³ / ₄ " (70 mm) Backset with 1/2" (13 mm) latch 53 2 ⁵ / ₈ " (60 mm) Backset with 1/2" (13 mm) latch (Not UL fire rated, Not grade 1)	1 Long/Long <i>Front</i> <i>Back</i> 2 Long/Short <i>Front</i> <i>Back</i>	Override K Ilco cylinder, 6 pin compatible with KIK Lori Universal (1539) Removable core U Ilco cylinder, Keyed alike B Best 6 or 7 pin cylinder adapter M Medeco 6 pin cylinder adapter	L Left Hand and Left Hand Reverse R Right Hand and Right Hand Reverse	1 Ilco Format Magnetic Encoding	Unit shipped to fit door thickness in bold. 1 1 ³ / ₈ " - 1 ¹ / ₂ " (35-40 mm) 2 1 ⁵ / ₈ " - 1 ³ / ₄ " (41-46 mm) 3 1 ⁷ / ₈ " - 2" (47-52 mm) 4 2 ¹ / ₈ " - 2 ¹ / ₄ " (53-58 mm) 5 2 ³ / ₈ " - 2 ¹ / ₂ " (59-65 mm)	626 Satin Chrome 606 Satin Brass	
								742 Office Lock No Deadbolt. Privacy activated with thumbturn. Recommended for offices.
743 Dummy Trim No moving parts, no electronics. For aesthetic use only.	00 No locking mechanism	0	Use short lever when moldings are within 4 ¹ / ₂ " (11 cm) & 8" (20 cm) from the edge of the door.	0		V Variables To be used only when cylindrical unit is not centered in the door or that door thickness is greater than 2 ¹ / ₂ " (66 mm).		

SMART