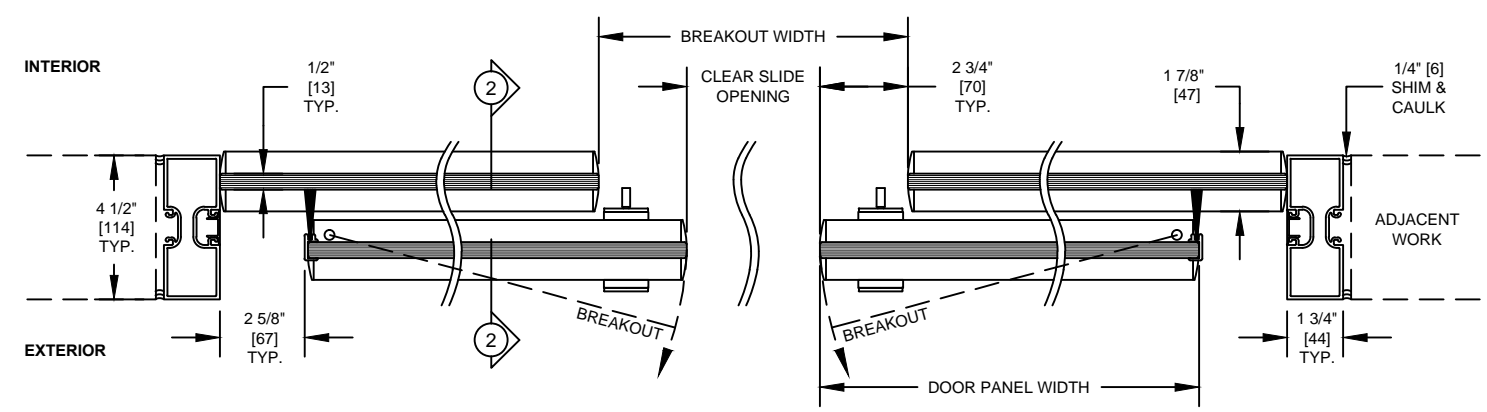


EXTERIOR ELEVATION
TYPE: O-SX-SX-O



SECTION 1
TYPE: O-SX-SX-O

DOOR SHOWN IN OPEN POSITION WITHOUT THRESHOLD

Package Width	Rough Opening Width	Clear Slide Opening	Door Panel Width	Breakout Width
(8'-0") 96" [2438]	96 1/2" [2451]	38 1/4" [972]	24 3/8" [619]	43 3/4" [1111]
(10'-0") 120" [3048]	120 1/2" [3061]	50 1/4" [1276]	30 3/8" [772]	55 3/4" [1416]
(12'-0") 144" [3658]	144 1/2" [3670]	62 1/4" [1581]	36 3/8" [924]	67 3/4" [1721]
(14'-0") 168" [4267]	168 1/2" [4280]	74 1/4" [1886]	42 3/8" [1076]	79 3/4" [2026]
Width Formulas	(Package Width) + 1/2" [13]	(Package Width / 2) - 9 3/4" [248]	(Package Width / 4) + 3/8" [10]	(Package Width / 2) - 4 1/4" [108]

- This Standard All Glass Bi-part door package consists of:
 - Operator:
 - Two combination motion/presence sensors (one on each side) (See sensor options page)
 - ESA II motor drive unit with self-learning and self-monitoring microprocessor controller.
 - Jamb mounted 5 function rocker switch panel (see mode switch options page).
 - Panels:
 - 6" [152] Bottom rails.
 - 1 3/4" [44] x 4 1/2" [114] Double Pocket jambs.
 - Vertical and horizontal brush type weather stripping (AAMA-701-11Class A).
 - ADA compliant surface applied track and threshold 1/2" [13] x 4 1/2" [114].
 - Single point bottom rail mounted mortise lock (full threshold required).
 - Breakaway sliding door panels (SX) and fixed sidelights (O) panels.
 - 1/2" [13] tempered float glass (not supplied with door).
 - Finishes:
 - Clear anodized (BHMA 204).
 - Dark Bronze anodized (BHMA 313).
- Optional Transom:
 - Single vertical 1 3/4" [44] x 4 1/2" [114] double pocket mullion (Standard). Multiple verticals available.
 - Glass thickness options 1/4" [6] thru 1-1/4" [32] at 1/8" [3] increments.
 - 1/4" [6] Glass uses pocketed tubes and pressed in-glazing, top and sides.
 - Other glass thickness use snap-in sash on all sides.
- Typical Package Options:
 - Finishes: special anodized, PVDF (wet) paint, powder coat, and cladding available. header, panels and jambs only.
 - Locking and Security Options:
 - Autolock sliding carrier lock concealed in header (only prevents sliding).
 - Jambs: 1 3/4" [44] x 4 1/2" [114] and 2" [51] x 6" [152] smooth available.
- Drawing Notes:
 - Drawing dimensions are in English & Metric units. Metric units are displayed as: 1" [25] millimeters.
 - Package Dimensions (May be limited by panel weight):
 - Package Width: Min. 7'-6" [2286] to Max. 16' [4877].
 - Header Height: Min. 7'-4 1/2" Max. 8' [2438].
 - Package Height: Max. 12' [3658] with Transom.
 - SX Panel Weight: Max. 225 lbs [102 kg].
 - Maximum special application limits / custom packages: (Sizes may be restricted due to complexity and application). (Please contact Dorma Architectural Services for dimensions outside of typical sizes above).
 - Package Width: Min. 7'-6" [2286] to Max. 21' [6401].
 - Package Height: Max. 13' [3962].
 - Header Height: Max. 11' [3353].
 - Transom Height: Min. 8" [203] to Max. 2' [610].
 - SX Panel Width: Max. Width 56" [1422].
 - SX Panel Size Limit = (SX Panel Width x Weight) < 900 ft-lbs [1220 N-m] Max.
 - Sidelight is 1/8" proud of jamb towards the interior.
- Power Requirements:
 - 120V +/- 10%, 50/60 Hz, 6.6A peak, 250 W. Up to 4 operators on a single 20A breaker. Service to header by electrician.
- Standards of Compliance:
 - UL 325 & CSA 22.2 (listed with ETL).
 - Designed to comply with these standards depending on installation and application:
 - International Building Code (Section 1008).
 - ANSI/ BHMA 156.10.
 - ANSI/ BHMA 156.38.
 - NFPA 101 Life Safety Code (Section 7.2.1.9).
 - Refer to Local, State, National or AHJ. Building Code for minimum door height and minimum/maximum width allowable for egress requirements.
 - Minimum ADA is 32" clear slide opening.
- Contact Dorma Architectural Services for more information:
 - Email: SPECNOW@dorma.com
 - Phone: 1-844-SPEC-NOW (1-844-773-2669)

ESA500_B

Sheet 1 of 1

DORMA USA Inc.
924 Sherwood Dr. Lake Bluff, IL 60044 Phone: 800-523-8483

Drawing Title: **ESA500 AUTOMATIC SLIDING DOOR**
FIXED SIDELIGHT BI-PART ALL GLASS

© DORMA USA Inc. Subject to Change Without Notice. Date: 28-SEP-2015