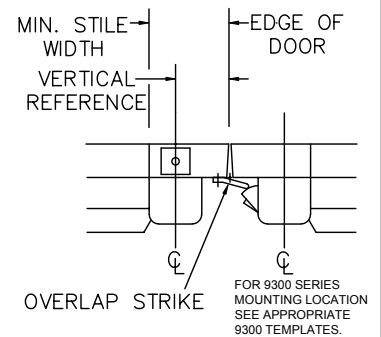
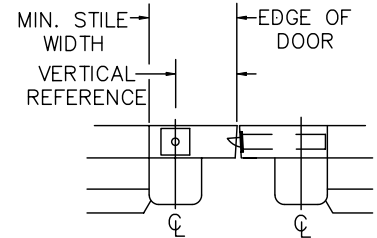
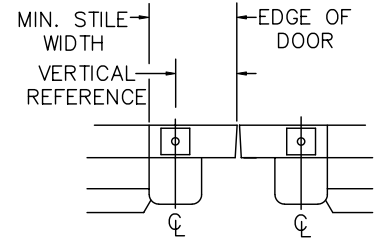
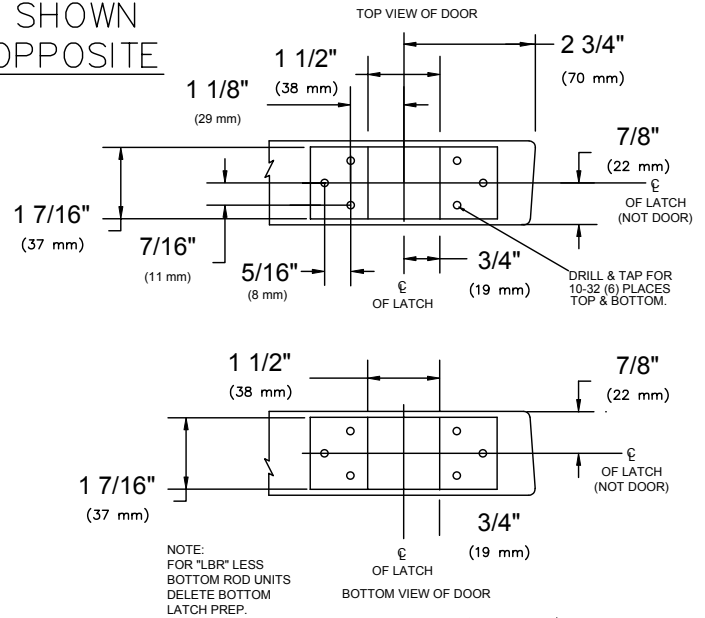
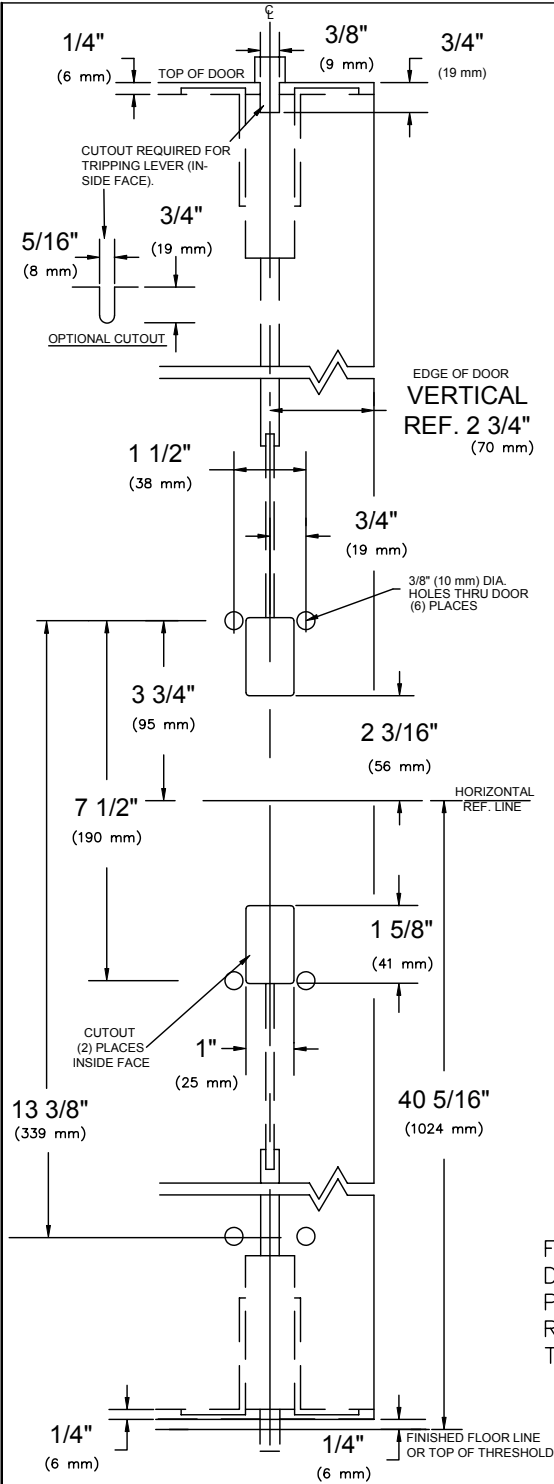


RHR SHOWN  
LHR OPPOSITE



FOR LESS BOTTOM ROD (LBR) DEVICES, DELETE BOTTOM LATCH PREP. POPPER REQUIRED ON FIRE RATED DEVICE, SEE TEMPLATE T-4012.

NOTES:

1. SEE ADDITIONAL TRIM TEMPLATE WHEN REQUIRED.
2. DEVICE WILL COVER STANDARD SDI CUTOUT.
3. FOR SEX NUTS USE 3/8" DRILL.

VERTICAL REFERENCE	MINIMUM STILE WIDTH
2 3/4" (70 mm)	4 3/16" (106 mm)

REV. No. 6

REVISION: Trim Designation

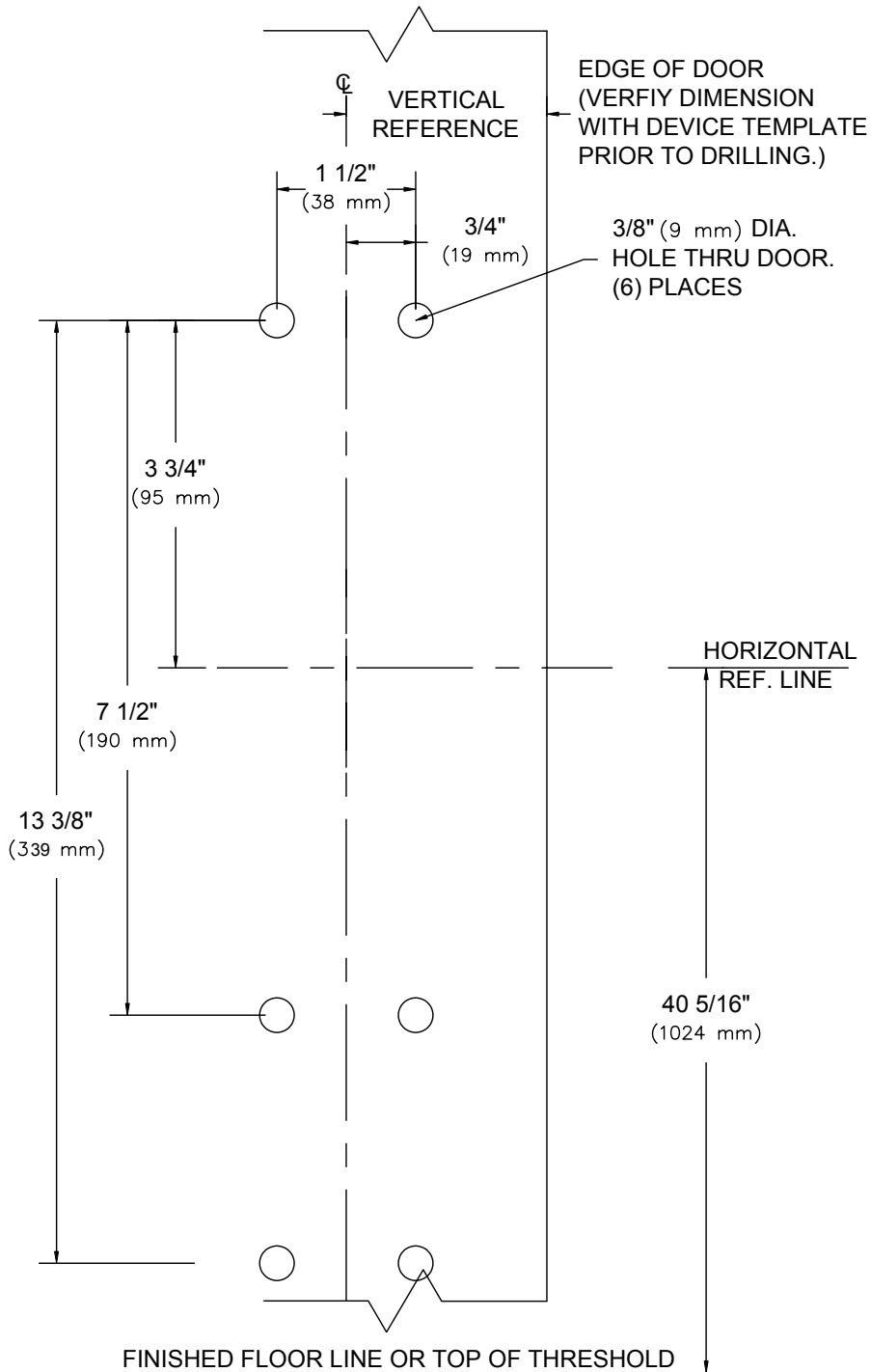
DATE: 12-31-03



9100 & F9100 x VODTCV or NPTDTCV  
9100 & F9100 x V102CV or V302CV  
9100 & F9100 x PTT02CV or PRT02CV  
VERTICAL ROD EXIT DEVICE


TEMPLATE NUMBER  
T-9102 ⑥

RHR SHOWN  
LHR OPPOSITE



NOTES:

1. SEE MASTER SHEET #T-0001 FOR SUGGESTED DOOR REINFORCEMENT.
2. SEE ADDITIONAL DEVICE TEMPLATE WHEN REQUIRED.
3. "T" STYLE TRIM WILL COVER STANDARD SDI CUTOUT.

REV. No. 6	REVISION: Trim Designation	DATE: 12-31-03
	<p>VODTCV OR NPTDTCV V102CV, V302CV, PTT02CV &amp; PRT02CV TRIM</p>	<p>TEMPLATE NUMBER T-9014 ⑥</p>