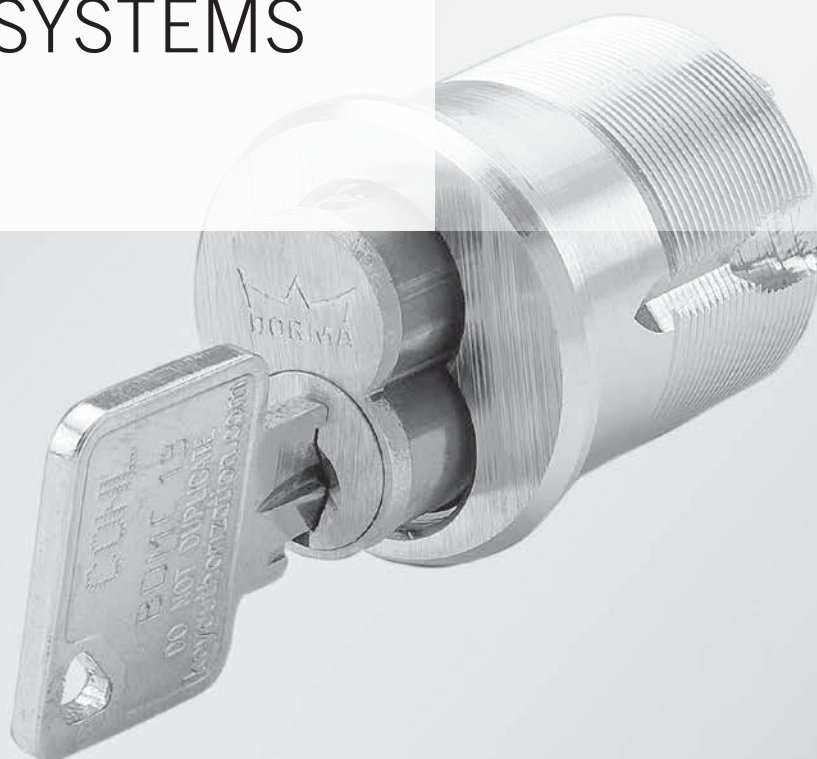




DORMA KEY SYSTEMS



Standard, Small Format IC, and Patented Lock Cylinders & Key Systems

DORMA LOCK CYLINDERS & KEY SYSTEMS



A properly designed key system is crucial to creating a safe and secure building. Your key system needs to balance authorized access while maintaining security. DORMA is here to help.

One of the most important decisions that you will make when securing your facility is the design of your new key system. DORMA offers both products and master key design services to meet this critical need—from our patented serialized key control (SKC) key system to our experienced staff of locksmiths. DORMA can supply lock

cylinders, keys, and complete key systems designed to meet your specifications. From a small office building to an extensive multicampus university, DORMA Key Systems are designed to meet your requirements and exceed your expectations.

CONTENTS

DORMA Lock Cylinders and Key Systems	Introduction	2
	Quick Facts	3
	Product Features	3
	SKC Technical Details	4
	Nomenclature	4
	DORMA Factory Master Key Systems	5
	Serialized Key Control (SKC)	6
	O-Bitted Retrofit Cylinders	7
	Key System Architecture	8
	Sample Key System Form	8
How to Order	Conventional (non-IC) Mortise Cylinders	9
	Small Format Interchangeable Core Mortise Housings	10
	Dummy and Thumbturn Cylinders	11
	Mortise Cylinder Cams for DORMA Product	12
	Cylinder Rings	12
	Conventional (non-IC) Rim Cylinders	13
	Interchangeable Core Rim Housings	14
	Conventional (non-IC) Key-in-Lever/Knob Cylinders	15
	Conventional/Interchangeable Core Tailpieces	16
	Interchangeable Cores SFIC	17
	Interchangeable Cores LFIC	17
	Retrofit Interchangeable Core Rim Housings	18
	Retrofit Interchangeable Core Mortise Housings	18
SFIC Padlocks	19	

DORMA USA quality and environmental management systems in Reamstown, PA and Steeleville, IL are certified to ISO 9001:2008 and ISO 14001:2004.



Intertek



Intertek

QUICK FACTS

DORMA Master Key Systems

- DORMA uses state-of-the-art software combined with many years of experience to design a master key system unique to your specification.
- Both non-patented and patented serialized key control (SKC) products are available for both new and existing key systems.
- DORMA SKC products are an affordable solution to unauthorized key duplication.
- DORMA offers a wide range of products—from conventional mortise, rim, and key-in-lever cylinders to small format interchangeable cores (SFIC).
- DORMA understands that your key system is *yours*. We assist our clients daily by providing all of the information necessary to maintain and expand their key systems.

DORMA Master Key System Department

- The DORMA Master Key Department works with you to design a practical key system that balances your need for security and ease of management.
- The key system team includes ALOA registered locksmiths (RL). We understand how key systems work in the real world.
- A key system specification questionnaire ensures that you get the system you want and that your order is processed quickly and accurately.
- DORMA verifies authority and password protects all records before any key system information is transferred.
- DORMA policy recognizes the authorized end user's right to a transcript (bitting list) of the master key system.
- Industry standard terminology and symbols (BHMA, DHI, ALOA) are used to prevent miscommunication and ease the transition to a local service provider.
- All key system records are carefully maintained, allowing existing systems to be supported and extended for future expansion.

- The DORMA Master Key Department fields regular calls from end users seeking information and assistance to maintain and extend their key systems.



PRODUCT FEATURES

DORMA General Product Features

- DORMA factory key systems use high quality brass lock cylinders with nickel silver key blanks and bottom pins to maximize the life span.
- SFIC cylinders in industry standard keyways are available, as well as DORMA's patented SKC system.
- DORMA also offers a wide range of retrofit lock cylinders in popular keyways, enabling service to many existing key systems.

DORMA Serialized Key Control (SKC) Features

- DORMA's patented Serialized Key Control (SKC) products fill your need for easy cost effective protection from unauthorized key duplication.
- For maximum protection against unauthorized key duplication, DORMA SKC systems are protected by United States patent law until the year 2025.
- DORMA SKC systems use a web-based key tracking system. Every key has a unique laser-etched serial number.
- DORMA uses a network of local certified key cutters (CKC program) to provide local service and support for your SKC or standard key system.
- DORMA's SKC institutional key cutter (IKC) program also supports end users who have their own in-house locksmiths.
- The SKC system allows you to mix standard lock cylinders with small format interchangeable core cylinders, allowing flexibility and cost savings.

SKC TECHNICAL DETAILS

Applications

SKC keys and cylinders combat unauthorized key duplication in commercial and institutional buildings. This product can be used wherever key control and key tracking are required. SKC cylinders can be used in any DORMA lock or exit device, as well as Schlage™, Best™, and many other popular products. DORMA SKC cylinders are available for small format interchangeable core (SFIC), conventional (non-IC) cylinder, and Schlage-style large format interchangeable core (LFIC) applications.

Features

Each DORMA SKC key and key blank is engraved with a unique serial number at the factory. Serial numbers are never repeated, allowing identification and tracking of each key.

Warranty

Lifetime warranty against key breakage.

Patent

United States Patent 7,571,629 expires August 11, 2025.

Keyway

DORMA D100 (standard). Other key sections made available for special projects.

Pins

Seven (7) nickel-silver pins (standard).

Keying

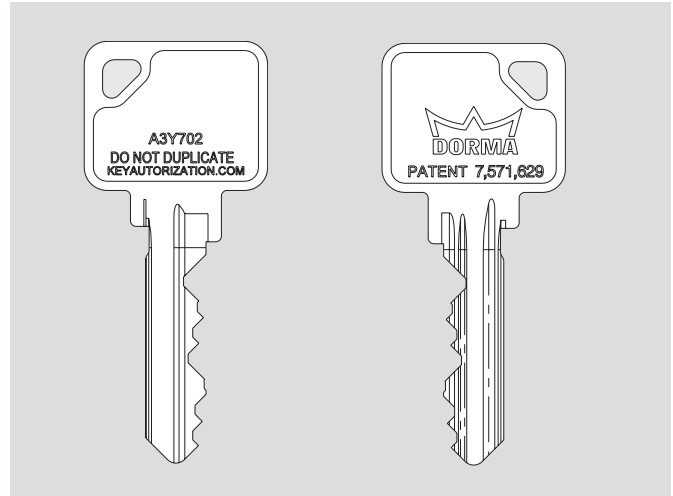
Factory master keying or O-bitted/uncombined for end user keying.

Construction Keying

Master keyed conventional cylinders are available with lost ball construction keying. Any permanent key (change key or master key) will trigger the construction device. Interchangeable core locks and cylinders are available with temporary interchangeable cores. The temporary cores can be returned for a credit at the end of the construction project.

Service Items

Key machines, pin kits, and accessory and service items are available to support DORMA SKC systems in the field.



NOMENCLATURE

O-bitted—A cylinder keyed to a blank key for easy keying in the field. Interchangeable cores are not available O-bitted. Use UNC for cores that will be keyed in the field.

CMK—A master keyed and construction keyed cylinder. DORMA uses the lost ball method in a dedicated pin chamber with either a 0.045 (SC) or a 0.075 (DORMA SKC) diameter construction ball. When the construction master key is no longer needed, a permanent key

acts as a breakout key and triggers the construction ball.

KA2—Keyed alike (2) in pairs to a random bitting.

KA4—Keyed alike (4) in sets of four to a random bitting.

KD—Keyed different to a random bitting.

MKD—Keyed into a master key system. This includes cylinders keyed to masters only and SKD groups.

NSK—Keyed alike to a random combination in multiples other than 2 or 4, or keyed to a customer-specified bitting.

UNC—An uncombined interchangeable core without any caps, pins, springs, or key blanks that is ready for combining (another word for keying) in the field.

TMP—A temporary interchangeable core spray painted black, blue, or green indicating its keyed alike group.

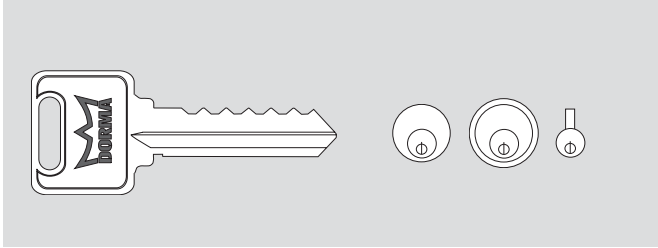
TMP cores do not offer the security of cores keyed to your own system. They make an opening functional for use during construction.

NOTE: DORMA strives to use industry accepted names and terms to describe our products, parts, methods, and procedures. DORMA uses terms accepted by the Associated Locksmiths of America (ALOA), the Door Hardware Institute (DHI), and the Building Hardware Manufacturers Association (BHMA). By using industry standard language, we strive to provide accurate consistent service to our customers. If you are in doubt, please contact the DORMA Master Key Department.

DORMA FACTORY MASTER KEY SYSTEMS

Three product types are available master keyed.

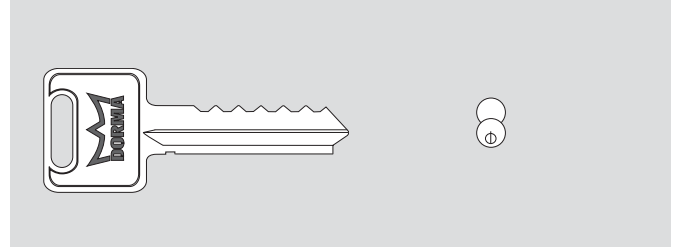
SC & SE Keyways



SC and SE keyways match standard C and E keyways by Schlage, Arrow, Baldwin, and others. 6-pin SC is the default keyway for non-IC locks. SC is available 0-bitted, in stock keying arrangements, factory master keyed, and construction keyed. SE is available 0-bitted,

master keyed, or construction keyed. Keys are nickel silver. When product is master keyed, all keys are ordered separately. Keys can be duplicated by locksmiths and home centers.

SFIC Keyways



SFIC Keyways are compatible with Arrow, Best, and Falcon systems. 7-pin BA is the default for DORMA locks ordered with small format interchangeable cores (SFIC). Cores are available keyed or uncombined. BA keys are nickel silver. When product is keyed, all keys are ordered separately.

We also offer BB, BC, BD, BE, BF, BG, BH, BJ, BK, BL, BM, and BQ keys and key blanks (stamped **Duplication Prohibited**). 6- and 7-pin cores are available. 7-pin is recommended for keying capacity. All DORMA locksets prepared for SFIC accept both 6- and 7-pin cores.

Keys can be duplicated by most locksmiths.

DORMA SKC – Patented Serialized Key Control

- Web-based key identification.
- 7-pin cores and cylinders.
- Tightly controlled key blanks can only be purchased and cut by an authorized partner.

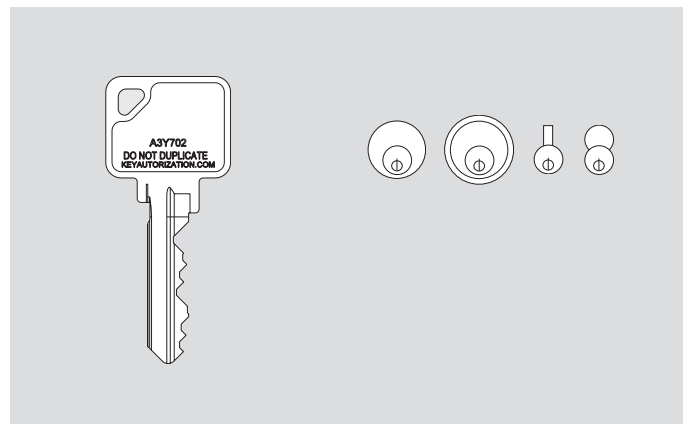
Serialized Key Control is an innovative web-based system in which every SKC key is engraved with a unique serial number. Blanks are restricted and sold only to agents under contract with DORMA. The chain of accountability is maintained at www.keyauthorization.com.

SKC is a 7-pin system that allows interkeying of small format interchangeable cores and conventional mortise, rim, and key-in-lever/knob cylinders. Key duplication can be done in the field by factory-authorized

commercial key cutters. SKC is ideal for institutions such as colleges, universities, school districts, healthcare facilities, government buildings, and military installations that need to prevent unauthorized key duplication.

End users have 24/7 real time web access to audit their keys and confirm who made them and when.

There are no stock SKC cylinders—every job is custom. Keys for combined cores are ordered separately. 0-bitted cylinders and uncombined cores are sold without blanks. All SKC key blanks are stamped **DO NOT DUPLICATE**.



SERIALIZED KEY CONTROL (SKC)

A leading cause of security breach is unauthorized key duplication. Using a common key available at a local hardware store is very convenient for both you and your rogue employee. Controlled, tracked, and authorized key duplication can solve many security problems.

DORMA's Serialized Key Control products can help you to regain control of your key system.

Like a snowflake, every SKC key blank is unique. A high tech laser engraves a six figure alphanumeric serial number on the head of every key blank.

This unique serial number allows you to track every key transaction on DORMA's patent-pending SKC tracking website.

Screenshot of the KeyAuthorization.com website interface. The page features a navigation menu on the left with links for Video, Find a Locksmith, FAQ, and About DORMA. The main content area displays the DORMA SKC logo and a search bar. Below the search bar, there is a key with the serial number 'AYESO2' and the text 'DO NOT DUPLICATE keyauthorization.com'. To the right of the key, there is a text box with the instruction 'Enter your key serial number below to find out how to get additional keys or service for your DORMA SKC key system.' and a 'Key Serial Number' input field with a 'Go' button. The footer contains links for Terms of Use and Privacy Statement.

DORMA SKC Management

KeyAuthorization.com is the source for information about DORMA SKC keys.

The key serial number appears over the words "DO NOT DUPLICATE" on your key. Serial numbers are made up of letters and numbers, but letters "I" and "O" are not used.

Enter your key serial number below to find out how to get additional keys or service for your DORMA SKC key system.

Key Serial Number Go ▶

Terms of Use
Privacy Statement

Home page of www.keyauthorization.com, DORMA's web-based SKC tracking site

0-BITTED RETROFIT CYLINDERS

For field additions to key Systems with popular keyways, DORMA offers 0-bitted retrofit cylinders.

DORMA offers non-IC cylinders in other manufacturers' legacy keyways. These cylinders can be

used to key into existing systems, and are available 0-bitted only for keying in the

field. All are 6-pin except YG for Yale GA, which is pinned 5, drilled 6.

DORMA Designation	Original Manufacturer	Ilco Blank Numbers	EZ Numbers
AA	Arrow A	1179, A1179A	AR1, AR4
CA	Corbin 60	1001EH, A1001EH	C087, C088
CB	Corbin 67	1001EN, 1001EG	C07, C036
CC	Corbin 77	R1001EN, R1001EG	SK1, C062
CD	Corbin 59A1	A1001AH, 1001AH	C091
CE	CorbinRusswin L4	A1011-L4, 1011-L4	RU101
RA	Russwin 981	N1011P, A1011P	RU4, RU52, RU16
RB	Russwin D1	1011D1, A1011D1	RU45, RU46
GA	Sargent LA	O1007LA, 1007LA	S22, S22 1/2
SF	Schlage F	1145F, A1145F	SC7, SC10
WA	Weiser E	1054WB, A1954WB	WR3.5, WR4
YA	Yale 8	999, 999A	Y1, Y2
YG	Yale GA	999GA, 998GA	Y78

- Available, includes 2 keys
- Available, order keys separately

Available Keying Configurations	SC	SE	D100	Other Keyways
CMK	<input type="radio"/>	<input type="radio"/>	<input type="radio"/>	-
MKD	<input type="radio"/>	<input type="radio"/>	<input type="radio"/>	-
0-Bit	<input checked="" type="radio"/>	<input checked="" type="radio"/>	<input type="radio"/>	<input checked="" type="radio"/>
NSK	<input checked="" type="radio"/>	<input checked="" type="radio"/>	-	-
KA4	<input checked="" type="radio"/>	-	-	-
KA2	<input checked="" type="radio"/>	-	-	-
KD	<input checked="" type="radio"/>	-	-	-

Master key system order forms and assistance are available from the DORMA Master Key Department. Call 800-523-8483 for more information.



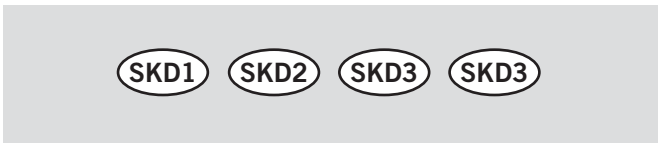
KEY SYSTEM ARCHITECTURE

NOTE: Many systems are asymmetrical and do not fit neatly into the keying systems defined below. Contact the DORMA Master Keying Department for assistance.

1 Level of Keying

System consists of change keys only. To specify non-master keyed locks either stand alone or as part of a larger master system, use SKD numbers. SKD

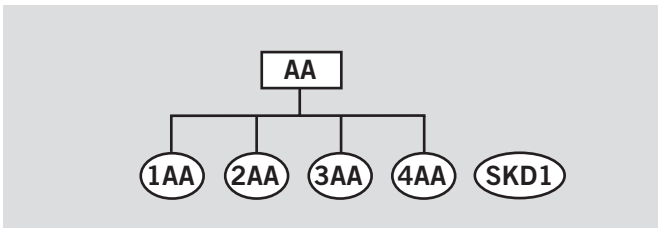
denotes *single keyed*. Numbers follow the letters.



2 Levels of Keying

System consists of a master key and changes (simple master key system). The master key symbol is a pair of identical letters (AA, BB, CC, DD) to prevent confusion with 3 or more levels of keying.

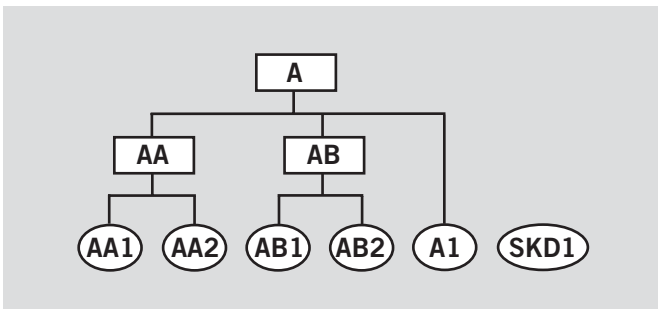
Numbers precede the letter pair. Multiple 2-level systems for the same project should have master keys named with different letter pairs.



3 Levels of Keying

System consists of a grand master key, master keys, and their associated changes. A single letter symbolizes the grand master. Masters are symbolized by letter pairs—the first letter is

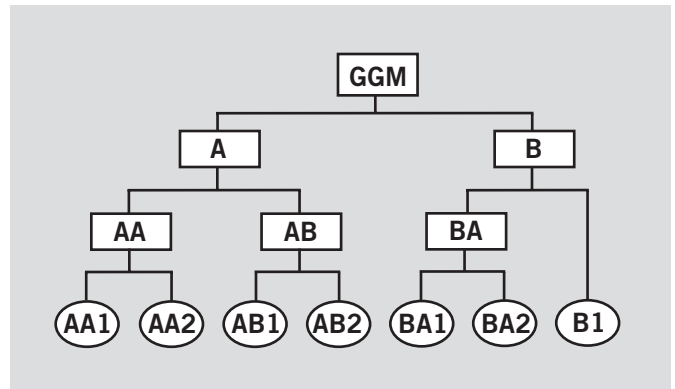
the same as the grand master. To signify changes, numbers follow the letters. Do not use I, O, or Q in key systems of 3 or more levels to avoid confusion with the digits 1 and 0.




4 Levels of Keying

System consists of a great grand master, grand master keys, their associated master keys, and their associated changes. GGM is the symbol for the great grand. The

rest of the symbols are the same as for 3-level systems. Do not use X for a grand.



Sample Key System Form



Dear Valued DORMA Customer,

Please include this **KEY SYSTEM SPECIFICATION FORM** with your purchase order and keying schedule.

Thank you. Fax to 800-274-9724 or email to masterkey@dorma-usa.com

YOUR ORDER CANNOT BE ENTERED OR MANUFACTURED WITHOUT THIS INFORMATION

General Information

A. DORMA Dealer _____ PO Number _____

B. Contact Person _____ Date _____

C. Contact Phone _____

D. Contact Email _____
(to send edited keying schedule or other documents for review)

E. Name of DORMA Rep _____

F. Is this a new or existing key system? new existing

G. If existing, what is the Registry number or prior DORMA order number? _____

H. Project Name and Complete Address with Zip Code

I. What type of project is this? _____
(Airport, apartment, condo, condo complex, hospital, nursing home, office building, office park, private school, school district, college, university, retail, industrial, manufacturing, government, military, etc.)

Please visit www.dorma.com for complete and up-to-date design forms.

HOW TO ORDER

Conventional (non-IC) Mortise Cylinders

Cylinder Ring		Length		Keying	
X — No Ring		300 — 3"		OBIT — 0-Bitted	
H — 13/16" Tapered Ring		212 — 2-1/2"		CMK — Construction Master Keyed	
G — 11/16" Tapered Ring		214 — 2-1/4"		MKD — Master Keyed	
K — 17/32" Tapered Ring		200 — 2"		NSK — Non-Stock Keyed	
J — 7/16" Tapered Ring		134 — 1-3/4"		KA4 — Keyed Alike, Sets of 4	
A — 9/32" Tapered Ring		158 — 1-5/8"		KA2 — Keyed Alike, Sets of 2	
D — 1/4" Blocking Ring		112 — 1-1/2"		KD — Keyed Different	
C — 1/8" Blocking Ring		138 — 1-3/8"			
		114 — 1-1/4"			
		118 — 1-1/8"			

Cylinder Type	90	J	10	SC	118	626	KD
Adams Rite & DORMA 1340KR Key Removable Mullion	01			SC — Schlage C		605 — Bright Brass	
Adams Rite 4070	02			SE — Schlage E		606 — Satin Brass	
DORMA 9600, 9700 & 9800 Exit Z Trim w/09 or 12 Functions	09			D100 — DORMA SKC ¹		612 — Satin Bronze	
DORMA M9050, 9080 & 9082 (2) Mortise Locks; DORMA 9100, 9300, 9400 & 9500 Exit Y Trim/Options & Other Straight Cam Applications	10			AA — Arrow A		613 — Dark Oxidized Satin Bronze	
DORMA M9056, 9080EL/EU, 9080ELRX/EURX 9082EL/EU & M9900 Mortise Locks w/Dead Bolts	11			CA — Corbin 60		625 — Bright Chrome	
DORMA M9053, 9070, 9071 (2), 9076, 9077 (2) & 9060 Inside Cylinder Mortise Locks	12			CB — Corbin 67		626 — Satin Chrome	
DORMA M9060 Outside Cylinder Mortise Locks; DORMA 9600, 9700 & 9800 Exit Z Trim w/08 or 11 Functions	13			CC — Corbin 77		630 — Satin Stainless (also for use with 619)	
Schlage Style Clover (L)	15			CD — Corbin 59A1			
DORMA 5000 Series Exit J Trim, Sargent & Yale Narrow	16			CE — CorbinRusswin L4			
Best & CorbinRusswin Style Clover	19			RA — Russwin 981			
Falcon Dead Bolt Style Clover	30			RB — Russwin D1			
CorbinRusswin DL4000 Style	31			GA — Sargent LA			
				SF — Schlage F			
				WA — Weiser E			
				YA — Yale 8			
				YG — Yale GA			

Finish	605	606	612	613	625	626	630
	Bright Brass	Satin Brass	Satin Bronze	Dark Oxidized Satin Bronze	Bright Chrome	Satin Chrome	Satin Stainless (also for use with 619)

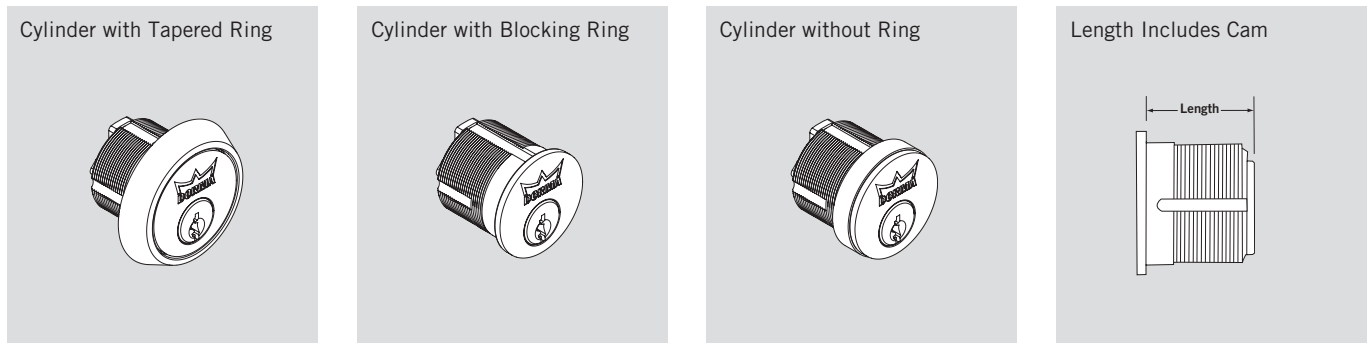
Cam Keyway	01	02	09	10	11	12	13	15	16	19	30	31
	Adams Rite & DORMA 1340KR Key Removable Mullion	Adams Rite 4070	DORMA 9600, 9700 & 9800 Exit Z Trim w/09 or 12 Functions	DORMA M9050, 9080 & 9082 (2) Mortise Locks; DORMA 9100, 9300, 9400 & 9500 Exit Y Trim/Options & Other Straight Cam Applications	DORMA M9056, 9080EL/EU, 9080ELRX/EURX 9082EL/EU & M9900 Mortise Locks w/Dead Bolts	DORMA M9053, 9070, 9071 (2), 9076, 9077 (2) & 9060 Inside Cylinder Mortise Locks	DORMA M9060 Outside Cylinder Mortise Locks; DORMA 9600, 9700 & 9800 Exit Z Trim w/08 or 11 Functions	Schlage Style Clover (L)	DORMA 5000 Series Exit J Trim, Sargent & Yale Narrow	Best & CorbinRusswin Style Clover	Falcon Dead Bolt Style Clover	CorbinRusswin DL4000 Style

Keying	OBIT	CMK	MKD	NSK	KA4	KA2	KD
	0-Bitted	Construction Master Keyed	Master Keyed	Non-Stock Keyed	Keyed Alike, Sets of 4	Keyed Alike, Sets of 2	Keyed Different

1. Other key sections are used for certain projects. Consult DORMA Master Keying Department when ordering SKC.

Retrofit Keyways Available 0-Bitted Only

Conventional Mortise Cylinders

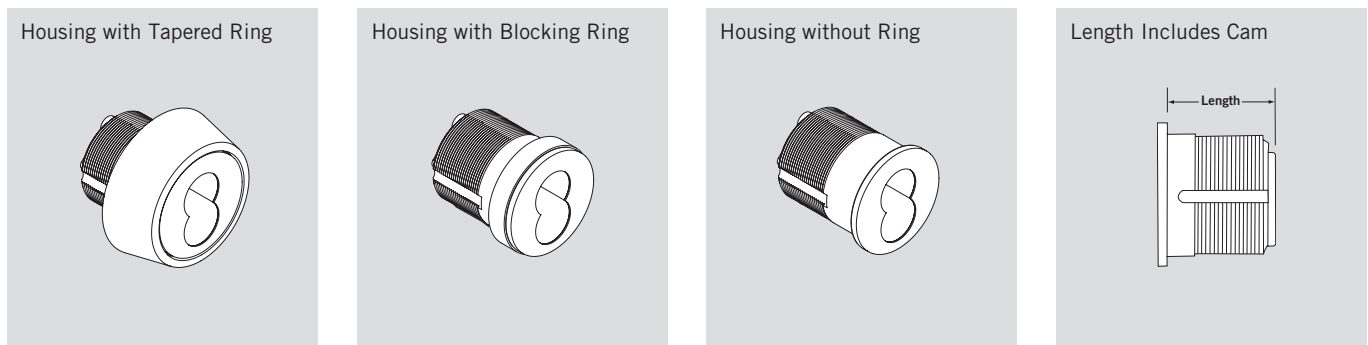


HOW TO ORDER

Small Format Interchangeable Core Mortise Housings

		Cylinder Ring		Finish	
		X	— No Ring	630	— Satin Stainless (also for use with 619)
		H	— 13/16" Tapered Ring	626	— Satin Chrome
		G	— 11/16" Tapered Ring	625	— Bright Chrome
		K	— 17/32" Tapered Ring	613	— Dark Oxidized Satin Bronze
		J	— 7/16" Tapered Ring	612	— Satin Bronze
		A	— 9/32" Tapered Ring	606	— Satin Brass
For 7-pin Core —	97	D	— 1/4" Blocking Ring	605	— Bright Brass
For 6-pin Core —	96	C	— 1/8" Blocking Ring		
		97	X	10	138
					626
Adams Rite & DORMA 1340KR Key Removable Mullion		01		138	— 1-3/8"
Adams Rite 4070		02		134	— 1-3/4"
DORMA 9600, 9700 & 9800 Exit Z Trim w/09 or 12 Functions		09		200	— 2"
DORMA M9050, 9080 & 9082 (2) Mortise Locks; Exit Y Trim/Options & Other Straight Cam Applications		10		214	— 2-1/4"
DORMA M9056, 9080EL/EU, 9080ELRX/EURX 9082EL/EU & M9900 Mortise Locks w/Dead Bolts		11		212	— 2-1/2"
DORMA M9053, 9070, 9071 (2), 9076, 9077 (2) & 9060 Inside Cylinder Mortise Locks		12		300	— 3"
DORMA M9060 Outside Cylinder Mortise Locks; Exit Z Trim w/08 or 11 Functions		13			
Schlage Style Clover (L)		15			
DORMA 5000 Series Exit J Trim, Sargent & Yale Narrow		16			
Best & CorbinRusswin Style Clover		19			
Falcon Dead Bolt Style Clover		30			
CorbinRusswin DL4000 Style		31			
					Length

SFIC Mortise Housings



HOW TO ORDER

Dummy Cylinders

Cylinder Ring

X	— No Ring
H	— 13/16" Tapered Ring
G	— 11/16" Tapered Ring
K	— 17/32" Tapered Ring
J	— 7/16" Tapered Ring
A	— 9/32" Tapered Ring
D	— 1/4" Blocking Ring
C	— 1/8" Blocking Ring

Cylinder Type

Dummy — **91**

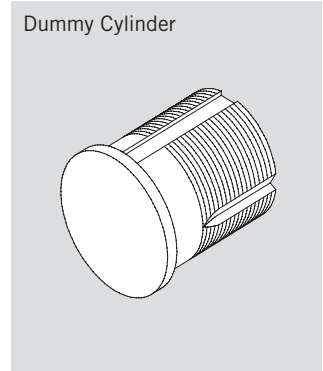
91 X 118 626

Length

1-1/8"	118
1-1/4"	114

Finish

605	— Bright Brass
606	— Satin Brass
612	— Satin Bronze
613	— Dark Oxidized Satin Bronze
625	— Bright Chrome
626	— Satin Chrome



Dummy Cylinder

Thumbturn Cylinders

Cylinder Ring

X	— No Ring
H	— 13/16" Tapered Ring
G	— 11/16" Tapered Ring
K	— 17/32" Tapered Ring
J	— 7/16" Tapered Ring
A	— 9/32" Tapered Ring
D	— 1/4" Blocking Ring
C	— 1/8" Blocking Ring

Cylinder Type

Thumbturn — **92**

92 X 10 118 626

Finish

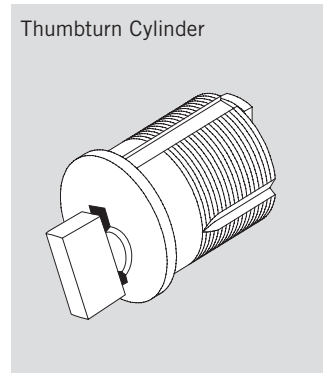
626	— Satin Chrome
625	— Bright Chrome
613	— Dark Oxidized Satin Bronze
612	— Satin Bronze
606	— Satin Brass
605	— Bright Brass

Length

114	— 1-1/4"
118	— 1-1/8"

Cam

01	— Adams Rite & DORMA 1340KR Key Removable Mullion
02	— Adams Rite 4070
10	— DORMA M9050, 9080 & 9082 (2) Mortise Locks; DORMA 9100, 9300, 9400 & 9500 Exit Y Trim/Options & Other Straight Cam Applications
11	— DORMA M9056, 9080EL/EU, 9080ELRX/EURX 9082EL/EU & M9900 Mortise Locks w/Dead Bolts
12	— DORMA M9053, 9070, 9071 (2), 9076, 9077 (2) & 9060 Inside Cylinder Mortise Locks
19	— Best & Corbin/Ruswin Style Clover



Thumbturn Cylinder

NOTE: Thumbturn cylinders are not ADA compliant.

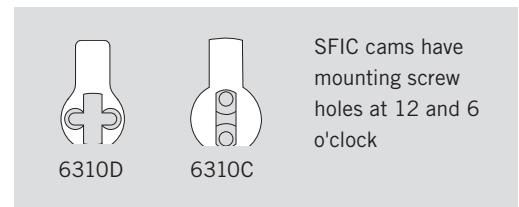
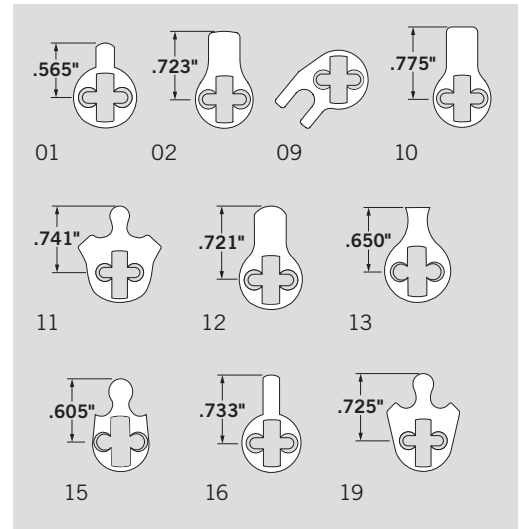
NOTE: For special cam applications, consult DORMA Technical Services.

HOW TO ORDER

Mortise Cylinder Cams for DORMA Product

Product Type		Pattern	
Mortise Cylinder Cam	63	C	DORMA SFIC Screw-On DORMA 93R Housing for Schlage FSIC
		D	DORMA Conventional
	63	10	D
		01	DORMA Key Removable Mullion & Adams Rite
(Not available in SFIC)		02	Adams Rite 4070 & Amarlite: Baldwin Mortise Locks, Miscellaneous Non-DORMA Straight Cam Applications
DORMA 9600, 9700 & 9800 Exit Z Trim w/09 or 12 Functions		09	
DORMA M9056, 9080EL/EU, 9080ELRX/EURX 9082EL/EU & M9900 Mortise Locks w/Dead Bolts		10	DORMA M9050, 9080 & 9082 (2) Mortise Locks; DORMA 9100, 9300 & 9400 Exit Y Trim/Options & Other Straight Cam Applications
		11	
		12	DORMA M9053, 9070, 9071 (2), 9076, 9077 (2) & 9060 Inside Cylinder Mortise Locks
		13	DORMA M9060 Outside Cylinder Mortise Locks; DORMA 9600, 9700 & 9800 Exit Z Trim w/08 or 11 Functions
Schlage Style Clover (L)		15	
		16	DORMA 5000 Series Exit J Trim, Sargent & Yale Narrow
(Not available in SFIC)		19	Best & CorbinRusswin Style Clover
		Cam	

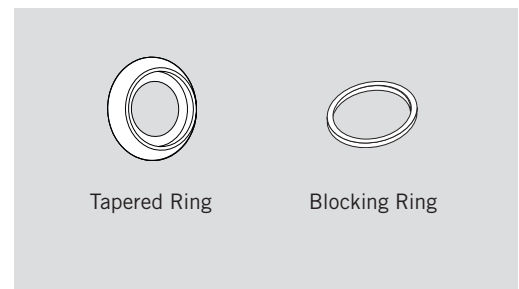
Mortise Cylinder Cams



Cylinder Rings

Product Type		Cylinder Ring	
Mortise Cylinder Ring	64	X	No Ring
		H	13/16" Tapered Ring
		G	11/16" Tapered Ring
		K	17/32" Tapered Ring
		J	7/16" Tapered Ring
		A	9/32" Tapered Ring
		D	1/4" Blocking Ring
		C	1/8" Blocking Ring
	64	J	626
		605	Bright Brass
		606	Satin Brass
		612	Satin Bronze
		613	Dark Oxidized Satin Bronze
		625	Bright Chrome
		626	Satin Chrome
		629	Bright Stainless
		630	Satin Stainless (also for use with 619)
		Finish	

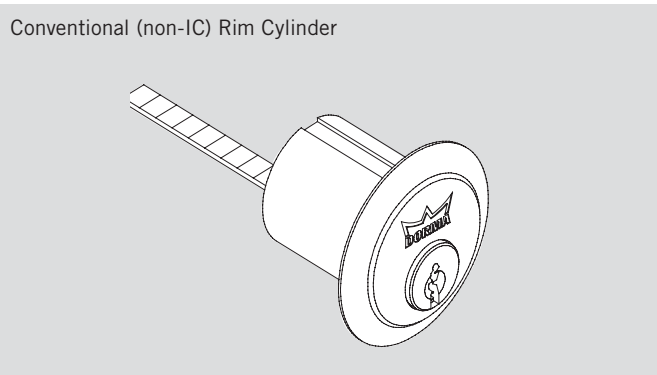
Cylinder Rings



HOW TO ORDER

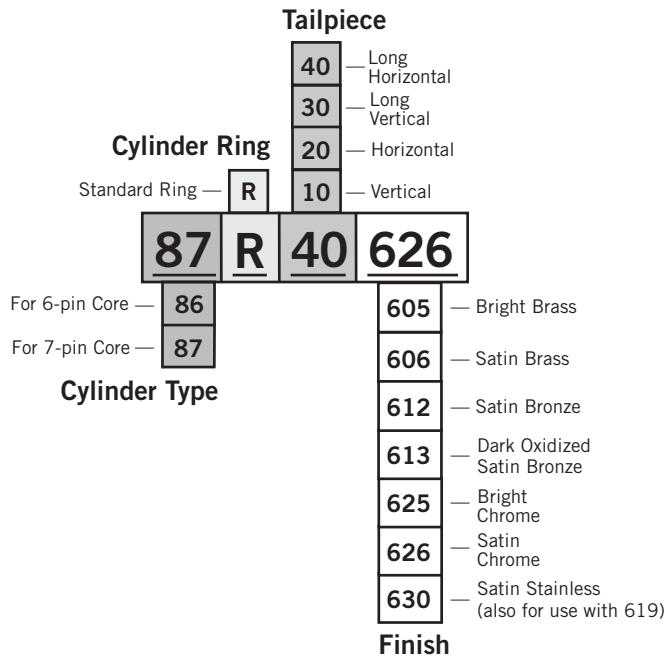
Conventional (non-IC) Rim Cylinders

Cylinder Ring		Tailpiece		Finish		
Standard Ring		40 — Long Horizontal	30 — Long Vertical	20 — Horizontal	10 — Vertical	630 — Satin Stainless (also for use with 619)
R						626 — Satin Chrome
						625 — Bright Chrome
						613 — Dark Oxidized Satin
						612 — Satin Bronze
						606 — Satin Brass
						605 — Bright Brass
80	R	40	SC	626	KD	
80 — Conventional Rim	R — Standard Ring	40 — Long Horizontal	SC — Schlage C	626 — Satin Chrome	KD — Keyed Different	
Cylinder Type			SE — Schlage E	Keying		
			D100 — DORMA SKC	KA2 — Keyed Alike, Sets of 2		
			AA — Arrow A	KA4 — Keyed Alike, Sets of 4		
			CA — Corbin 60	NSK — Non-Stock Keyed		
			CB — Corbin 67	MKD — Master Keyed		
			CC — Corbin 77	CMK — Construction Master Keyed		
			CD — Corbin 59A1	OBIT — 0-Bitted		
			CE — CorbinRusswin L4			
			RA — Russwin 981			
			RB — Russwin D1			
			GA — Sargent LA			
			SF — Schlage F			
			WA — Weiser E			
			YA — Yale 8			
			YG — Yale GA			
			Keyway			
			Retrofit Keyways Available 0-Bitted Only			

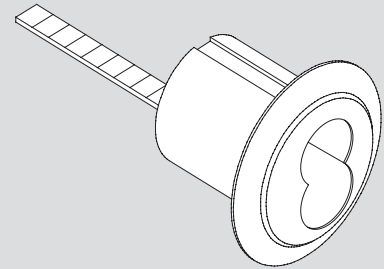


HOW TO ORDER

Interchangeable Core Rim Housings



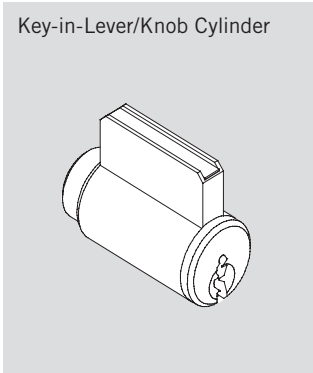
Interchangeable Core Rim Housing



HOW TO ORDER

Conventional (non-IC) Key-In-Lever/Knob Cylinders

Tailpiece		Keyway	Keying
C873 Lever Only	28		
All C800 Levers except C873 & 885	27		
D860 & 863 1-13/16"-2" Door	26	YG — Yale GA	
C570	25	YA — Yale 8	
C550, 553, 555, 580	24	WA — Weiser E	
J210 & J253 Upper Cylinder	23	SF — Schlage F	
J253 Lower Cylinder	22	GA — Sargent LA	
D862 1-13/16"-2" Door	21	RB — Russwin D1	
D862 1-3/8"-1-3/4" Door	20	RA — Russwin 981	
D860 & 863 1-3/8"-1-3/4" Door	19	CE — CorbinRusswin L4	
D861	18	CD — Corbin 59A1	
DB662	17	CC — Corbin 77	
DB660	16	CB — Corbin 67	
Post-July 2005 R08 Trim CL700 Levers	13	CA — Corbin 60	
CK700 Knobs	12	AA — Arrow A	
		D100 — DORMA SKC	
		SE — Schlage E	
		SC — Schlage C	
			OBIT — 0-Bitted
			CMK — Construction Master Keyed
			MKD — Master Keyed
			NSK — Non-Stock Keyed
			KA4 — Keyed Alike, Sets of 4
			KA2 — Keyed Alike, Sets of 2
			KD — Keyed Different
	70	10	SC
Lever Designs	70	Satin Brass	606
Knob Designs	71	Satin Chrome	626
			626
			KD



HOW TO ORDER

Conventional/Interchangeable Core Tailpieces

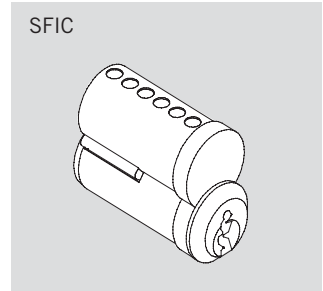
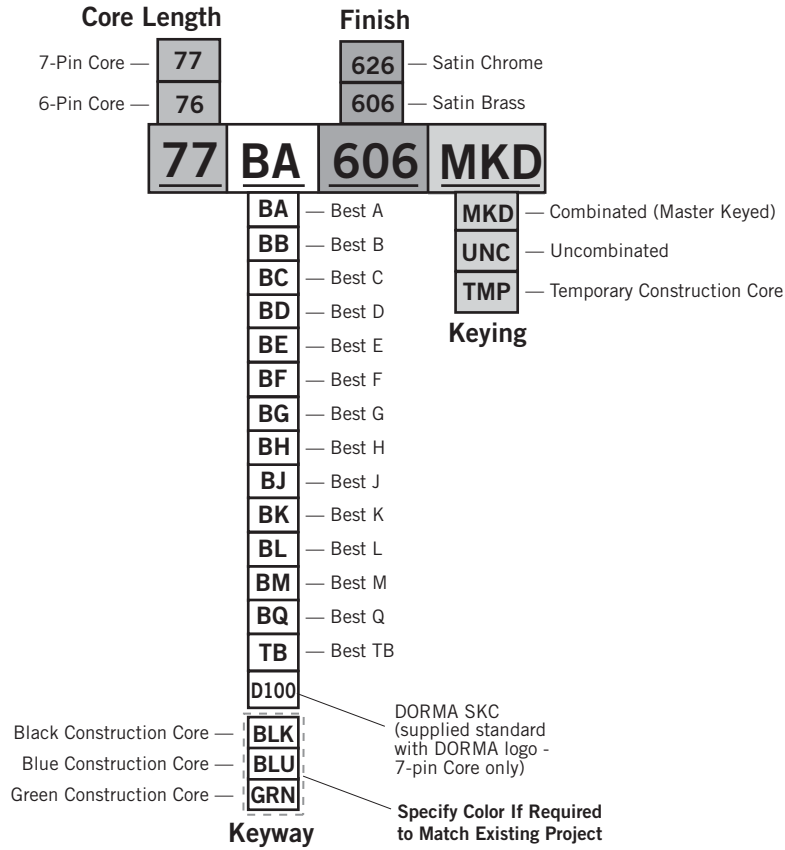
		Cylinder Type		
		Y	— Fits Yale 1210/Medeco 31 Series FSIC	
		S	— Fits Sargent 10 Line KIL	
		N	— Fits Sargent 6300 Series FSIC	
		E	— Fits Corbin/Ruswin 2000 Series 6-Pin KIL (tailpiece includes black spacer)	
		M	— Fits Medeco 32 Series FSIC	
		A	— Fits Corbin/Ruswin 8000 Series 6-Pin FSIC & Pyramid	
		R	— Fits Schlage FSIC	
		C	— Fits DORMA SFIC	
		D	— Fits DORMA KIL/K	
		Product Type		
Tailpiece — 67				
		67	27	D
C800D (except C873D), Knobs and Levers —		27D		
C800C (except C873C), Levers Only —		27C		
C873D, Knobs and Levers —		28D		
C873C, Levers Only —		28C		
C873C, Knobs Only —		29C		
CK700D, Knobs Only —		12D		
C800C, Knobs (except C873C); CK700C —		12C		
CL700D, Levers; R03/08 Exit Trim —		13D		
CL700C, Levers; R03/08IC Exit Trim —		13C		
DB660, Single Cylinder Dead Bolt 1-3/8"-1-3/4" Door —		16		
DB662, Double Cylinder Dead Bolt 1-3/8"-1-3/4" Door —		17		
D861, Cylinder x Blank Plate Dead Bolt 1-3/8"-1-3/4" Door —		18		
D860, Single Cylinder & 863 Classroom Dead Bolt 1-3/8"-1-3/4" Door —		19		
D862, Double Cylinder Dead Bolt 1-3/8"-1-3/4" Door —		20		
D862, Double Cylinder Dead Bolt 1-13/16"-2" Door —		21		
C550, 553, 555, 580, Levers —		24		
C570, Levers —		25		
D860, Single Cylinder & 863 Classroom Dead Bolt 1-13/16"-2" Door —		26		
D880, Turn x Blank Plate Dead Bolt —		30		
D860R, 861R, 862R, 863R Schlage FSIC Dead Bolts (Less Core) 1-3/4"-2-1/2" Door —		31R		
C885D (Includes Retainer), Levers Only (C885C Not Available) —		85		
		Tailpiece		

Available in 27 & 28 only for C800 Series Levers

NOTE:
C800C Knobs Require CL/CK700 SFIC Tailpieces (except for C873C)

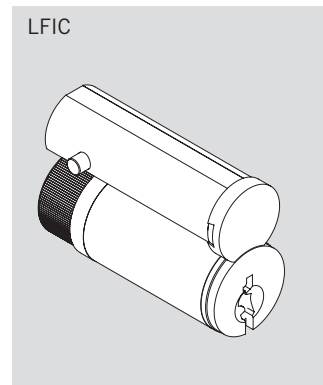
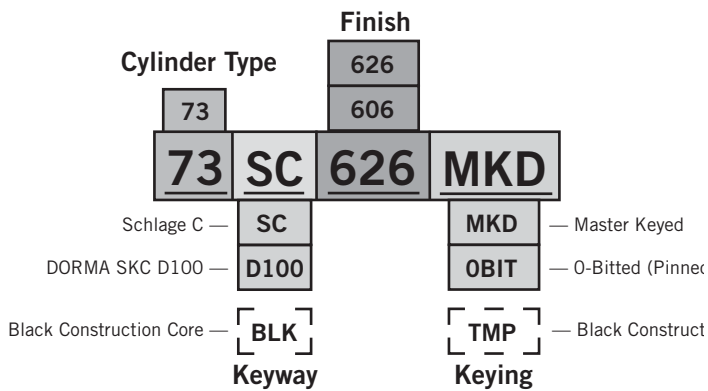
HOW TO ORDER

Small Format Interchangeable Cores



Large Format Interchangeable Cores

New

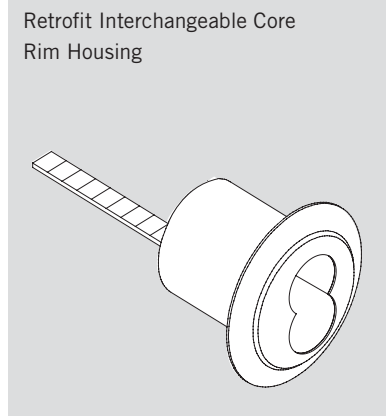


HOW TO ORDER

Retrofit Interchangeable Core Rim Housings

Cylinder Type Rim Cylinder Housing	83	R	R	40	00	626
	Standard Ring		Tailpiece	Long Horizontal	Long Vertical	
Sargent XC 11-P-7300B Arrow Choice Plus CP7S Arrow Choice Flex C7FS Arrow Choice Base C7S	X7		Less Core ¹	00		605 — Bright Brass
Arrow Choice Plus CP6S Arrow Choice Flex C6FS Arrow Choice Base C6S	X6		Keyway			606 — Satin Brass
Schlage FSIC	R					612 — Satin Bronze
						613 — Dark Oxidized Satin Bronze
						625 — Bright Chrome
						626 — Satin Chrome
						630 — Satin Stainless (also for use with 619)
						Finish

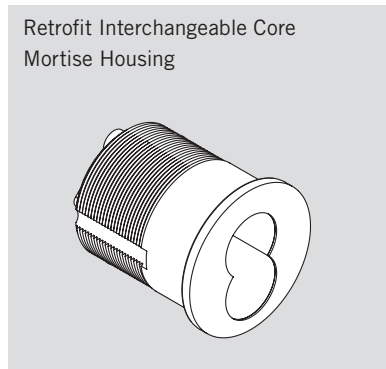
1. Interchangeable cores not available from DORMA for these rim cylinder housings.



Retrofit Interchangeable Core Mortise Housings

Retrofit Type Sargent XC 11-P-7300B Arrow Choice Plus CP7S Arrow Choice Flex C7FS Arrow Choice Base C7S		X	H	G	K	J	A	D	C		
Arrow Choice Plus CP6S Arrow Choice Flex C6FS Arrow Choice Base C6S		No Ring	13/16" Tapered Ring	11/16" Tapered Ring	17/32" Tapered Ring	7/16" Tapered Ring	9/32" Tapered Ring	1/4" Blocking Ring	1/8" Blocking Ring		
Schlage FSIC	X7										
	X6										
	R										
Cylinder Type Mortise Cylinder Housing	93	R	G	10	00	112	134	138			
						Length	1-1/2" (R only)	1-3/4" (X7, X6 only)	1-3/8" (X7, X6 only)		
DORMA 1340KR Key Removable Mullion				01	00						605 — Bright Brass
DORMA 9600, 9700 & 9800 Exit Z Trim w/09 or 12 Functions				09							606 — Satin Brass
DORMA M9050, 9080 & 9082 (2) Mortise Locks; DORMA 9100, 9300 & 9400 Exit Y Trim/Options & Other Straight Cam Applications				10							612 — Satin Bronze
DORMA M9056, 9080EL/EU, 9080ELRX/EURX 9082EL/EU & M9900 Mortise Locks w/Dead Bolts				11							613 — Dark Oxidized Satin Bronze
DORMA M9053, 9070, 9071 (2), 9076, 9077 (2) & 9060 Inside Cylinder Mortise Locks				12							625 — Bright Chrome
DORMA M9060 Outside Cylinder Mortise Locks; DORMA 9600, 9700 & 9800 Exit Z Trim w/08 or 11 Functions				13							626 — Satin Chrome
DORMA 5000 Series Exit J Trim				16							630 — Satin Stainless (also for use with 619)
											Finish

1. Interchangeable cores not available from DORMA for these mortise cylinder housings.



HOW TO ORDER

SFIC Padlocks

New

Cylinder Type

Shackle Length	T — SFIC, Temporary Core	Keying
2" Shackle — 20	C — SFIC, with Core	TMP — Temporary Construction Core
1" Shackle — 10	J — SFIC, Less Core	MKD — Combinated (Master Keyed)

SFIC Heavy Duty Padlock — **P1 10 J 626 BA MKD**

Satin Chrome — **626**

Finish

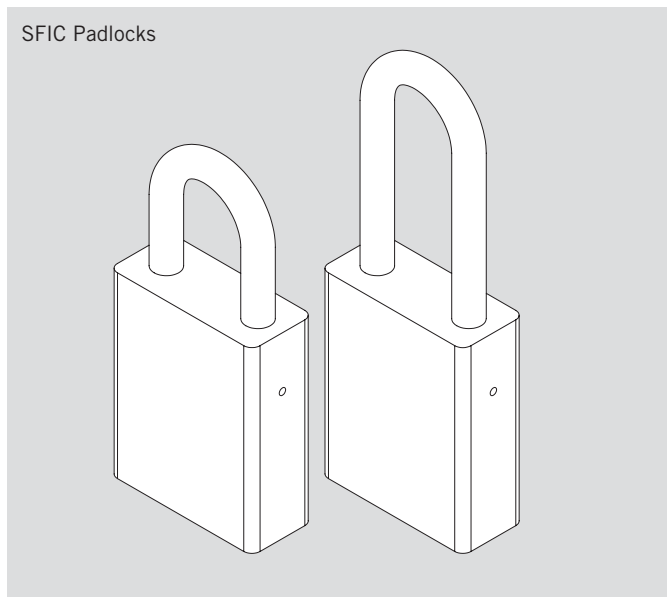
BA — Best A
BB — Best B
BC — Best C
BD — Best D
BE — Best E
BF — Best F
BG — Best G
BH — Best H
BJ — Best J
BK — Best K
BL — Best L
BM — Best M
BQ — Best Q
TB — Best TB
D100 — DORMA SKC 7-Pin Only

Black Construction Core — **BLK**

Blue Construction Core — **BLU**

Green Construction Core — **GRN**

Keyway





www.dorma.com



DORMA USA, Inc.
Dorma Drive, Drawer AC
Reamstown, PA 17567
Tel: 800 523 8483
Fax: 800 274 9724
archdw@dorma-usa.com

DORMA Canada
1680 Courtney Park Drive, Unit 13
Mississauga, Ontario L5T 1R4
Tel: 800 387 4938
Fax: 905 670 5850
sales@dormacanada.com

DORMA Mexico
Calle Sur 110 no. 63, Col. Tolteca
01150 México, D.F.
Tel: 5255 5272 6937
Fax: 5255 5272 6948
operacion@dorma.com.mx