



## 8120 Offset Round Entrance Pull Handles

dormakaba's offset round entrance pull handles epitomize the high quality ambitions of the dormakaba brand – designed for excellence down to the very last detail and exuding fine craftsmanship. They offer genuine quality, characterised by clearly defined features – irrespective of shape or size.

Created in solid, premium 316 Marine Grade Stainless Steel offering superior corrosion resistance for internal and external use in high traffic buildings. The offset round section allows comfortable ease of use.

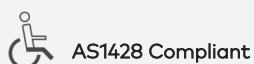
The 8120 offset round entry pull handles are an ideal choice for residential and commercial applications and are suitable for use on glass, timber and aluminium doors.

### Features at a glance:

- 316 Marine Grade Stainless Steel
- Designed with your project's needs in mind
- High durability with concealed fixings
- Standard finishes: SSS and PSS
- Powdercoat and custom finishes available on request

Please refer to ordering details for a range of optional accessories to suit:

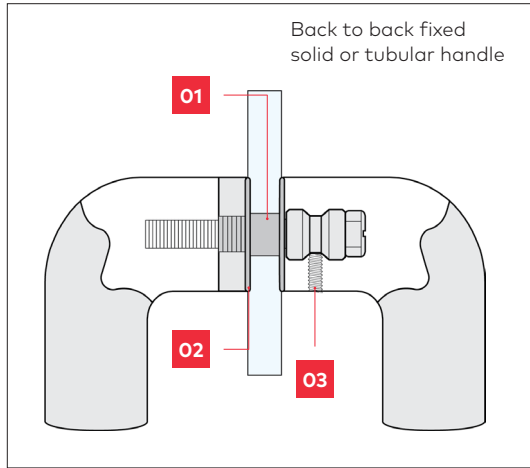
- Back to back extended fixing for timber doors
- Back to back fixing for glass doors
- Disc fixing for timber doors
- Disc fixing for glass doors



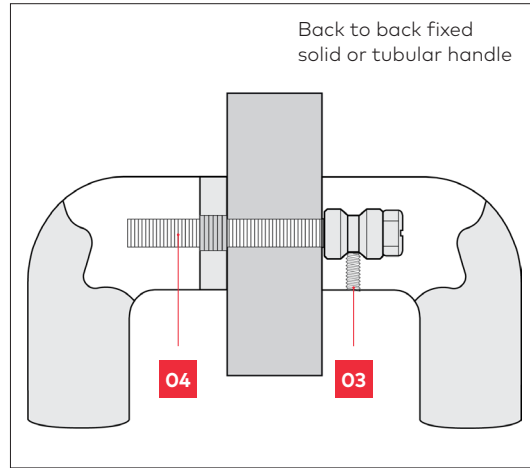
dormakaba Australia  
Head Office  
12-13 Dansu Court  
Hallam VIC 3803  
T: 1800 675 411  
[info.au@dormakaba.com](mailto:info.au@dormakaba.com)  
[www.dormakaba.com.au](http://www.dormakaba.com.au)

dormakaba New Zealand  
Head Office  
Building P, 61-69 Patiki Road  
Avondale, Auckland 1026  
T: 0800 436 762  
[info.nz@dormakaba.com](mailto:info.nz@dormakaba.com)  
[www.dormakaba.co.nz](http://www.dormakaba.co.nz)

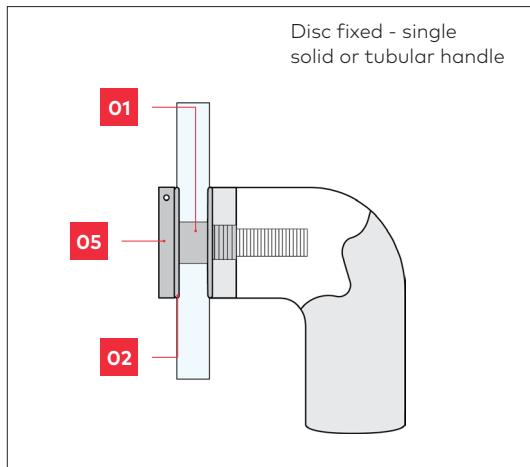
# Fixing options



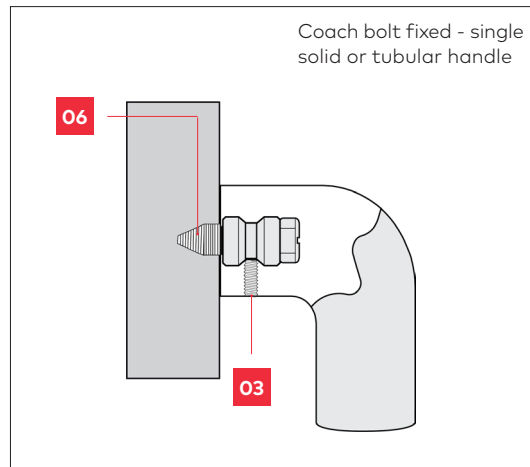
**GD FIX** - glass doors



**TM FIX** - timber or metal doors



**D FIX** - glass, metal or timber doors



**C FIX** - timber doors only

**Note**

Nylon spacers and washers are included with handle for glass door fixing option.

**Legend**

- 01** Spacer
- 02** Washer
- 03** Grub Screw
- 04** Bolt
- 05** Disc
- 06** Coach Bolt

**TIMBER DOOR FIXING**

Material Size	Bolt Size
14mm Ø	5mm
16mm Ø	5mm
19mm Ø	8mm
25mm Ø	8mm
32mm Ø	8mm

**METAL DOOR FIXING**

Material Size	Bolt Size
14mm Ø	5mm
16mm Ø	5mm
19mm Ø	8mm
25mm Ø	8mm
32mm Ø	8mm

**GLASS DOOR FIXING**

Material Size	Bolt Size
14mm Ø	12mm Ø
16mm Ø	12mm Ø
19mm Ø	12mm Ø
25mm Ø	12mm Ø
32mm Ø	12mm Ø

# Ordering details

Item	Article Number	Description	Diameter	Projection	Width	Length	Fixing Centres
<b>BACK TO BACK FIXING</b>							
B8120/320/12/PSS	9458123080102	B8120/320/12 OA 400 CTC 320 PSS	12mm	56mm	75mm	400mm	320mm
B8120/320/12/SSS	9458123080101	B8120/320/12 OA 400 CTC 320 SSS	12mm	56mm	75mm	400mm	320mm
B8120/520/12/PSS	9458124430102	B8120/520/12 OA 600 CTC 520 PSS	12mm	56mm	75mm	600mm	520mm
B8120/520/12/SSS	9458124430101	B8120/520/12 OA 600 CTC 520 SSS	12mm	56mm	75mm	600mm	520mm
B8120/720/12/PSS	9458125390102	B8120/720/12 OA 800 CTC 720 PSS	12mm	56mm	75mm	800mm	720mm
B8120/720/12/SSS	9458125390101	B8120/720/12 OA 800 CTC 720 SSS	12mm	56mm	75mm	800mm	720mm
<b>ACCESSORIES - EXTENDED FIXINGS</b>							
TM/M8/50	9459508058200	M8/50 FERULE HEAD BOLT TM FIX	<b>Note: When ordering extended fixings please use the below formula.</b> Door thickness + 20mm for the Ferule + 10mm in to the other handle = round up to the nearest size offered.				
TM/M8/75	9459758078200	M8/75 FERULE HEAD BOLT TM FIX					
TM/M8/90	9400000012887	M8/90 BOLT & 16MM FERULE TM FIX					
TM/M8/100	9400000012888	M8/100 BOLT & 16MM FERULE TM FIX					
TM/M8/110	9459118118200	M8/110 BOLT & 16MM FERULE TM FIX					
TM/M8/120	9459128128200	M8/120 BOLT & 16MM FERULE TM FIX					
TM/M8/130	9459138138200	M8/130 BOLT & 16MM FERULE TM FIX					
TM/M8/150	9459158158200	M8/150 BOLT & 16MM FERULE TM FIX					
<b>ACCESSORIES - GLASS FIXINGS</b>							
GF25/M8/50 SQU	9459502588302	25 DIA SQU GLASS FIXING PAIRS					
<b>CONCEALED FIXING</b>							
C8120/320/12/PSS	9458123080202	C8120/320/12 OA 400 CTC 320 PSS	12mm	56mm	75mm	400mm	320mm
C8120/320/12/SSS	9458123080201	C8120/320/12 OA 400 CTC 320 SSS	12mm	56mm	75mm	400mm	320mm
C8120/520/12/PSS	9458124430202	C8120/520/12 OA 600 CTC 520 PSS	12mm	56mm	75mm	600mm	520mm
C8120/520/12/SSS	9458124430201	C8120/520/12 OA 600 CTC 520 SSS	12mm	56mm	75mm	600mm	520mm
C8120/720/12/PSS	9458125390202	C8120/720/12 OA 800 CTC 720 PSS	12mm	56mm	75mm	800mm	720mm
C8120/720/12/SSS	9458125390201	C8120/720/12 OA 800 CTC 720 SSS	12mm	56mm	75mm	800mm	720mm
<b>DISC FIXING</b>							
D8120/320/12/PSS	9458123080302	D8120/320/12 OA 400 CTC 320 PSS	12mm	56mm	75mm	400mm	320mm
D8120/320/12/SSS	9458123080301	D8120/320/12 OA 400 CTC 320 SSS	12mm	56mm	75mm	400mm	320mm
D8120/520/12/PSS	9458124430302	D8120/520/12 OA 600 CTC 520 PSS	12mm	56mm	75mm	600mm	520mm
D8120/520/12/SSS	9458124430301	D8120/520/12 OA 600 CTC 520 SSS	12mm	56mm	75mm	600mm	520mm
D8120/720/12/PSS	9458125390302	D8120/720/12 OA 800 CTC 720 PSS	12mm	56mm	75mm	800mm	720mm
D8120/720/12/SSS	9458125390301	D8120/720/12 OA 800 CTC 720 SSS	12mm	56mm	75mm	800mm	720mm
<b>ACCESSORIES - EXTENDED FIXINGS</b>							
DF25/M8/75 PSS	9459752588102	25MM DISK FIX PAIR M8X75MM PSS					
DF25/M8/75 SSS	9400000014108	25MM DISK FIX PAIR M8X75MM SSS					
<b>ACCESSORIES - GLASS FIXINGS</b>							
GDF25/M8/50 PSS	9459502588102	25MM GLASS DISK FIX PSS PAIR M8X50MM					
GDF25/M8/50 SSS	9459502588101	25MM GLASS DISK FIX SSS PAIR M8X50MM					