

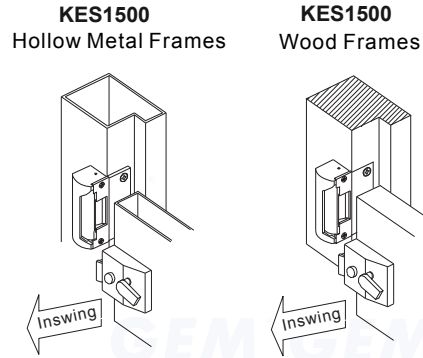
# KES1500 ELECTRIC STRIKE INSTALLATION INSTRUCTIONS



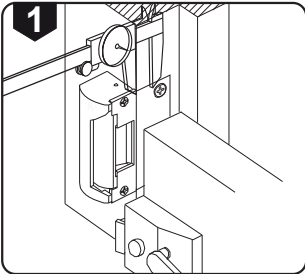
## SPECIFICATIONS

Operating Voltage	12VDC, 24VDC, 12/24 VDC
Voltage Tolerance	±15%
Current Draw	250mA/12VDC 150mA/24VDC
Operating Temperature	-10°C~+45°C
Humidity	0~95%
Installation	Surface Mount
Optional door	Hollow metal Frames Wooden Frames
Applicable Locksets	Night Latch

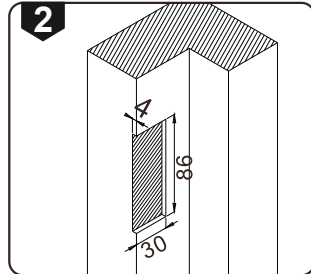
KES1500 Series electric strikes are designed for surface mounted type spring latch or lockset (e.g. night latch). The KES1500 electric strike can easily be changed between fail-safe and fail-secure modes.



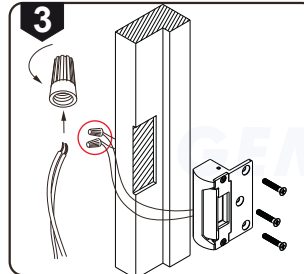
## INSTALLATION INSTRUCTIONS



1 Measure the latch position



2 Cut and install properly



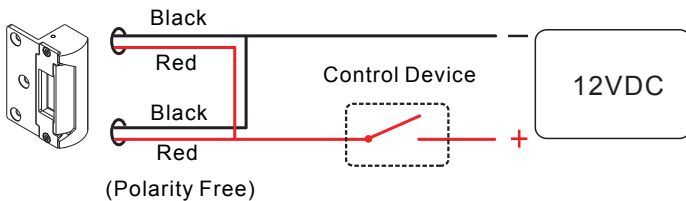
3 Connect the power and test the unit

**Note:**  
Must reserve proper gap between the doorstop and latch bolt to prevent failure of solenoid valve.

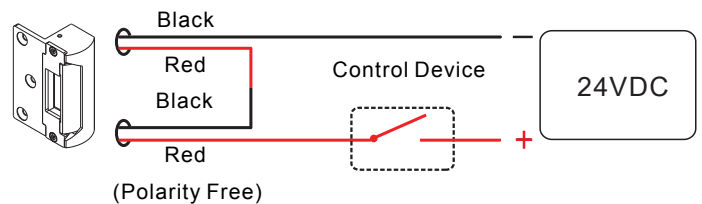
## CONNECTING DIAGRAM

### DUAL VOLTAGE (12V/24V)

For the 12 VDC operation, the electric strikes have to connect in Parallel.



For the 24 VDC operation, the electric strikes have to connect in Series.



## HOW TO CHANGE VERSION

Field selectable by changing position of screws

