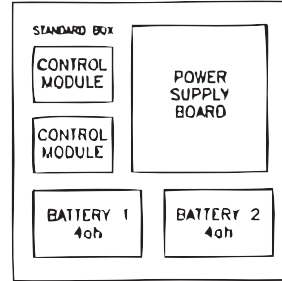
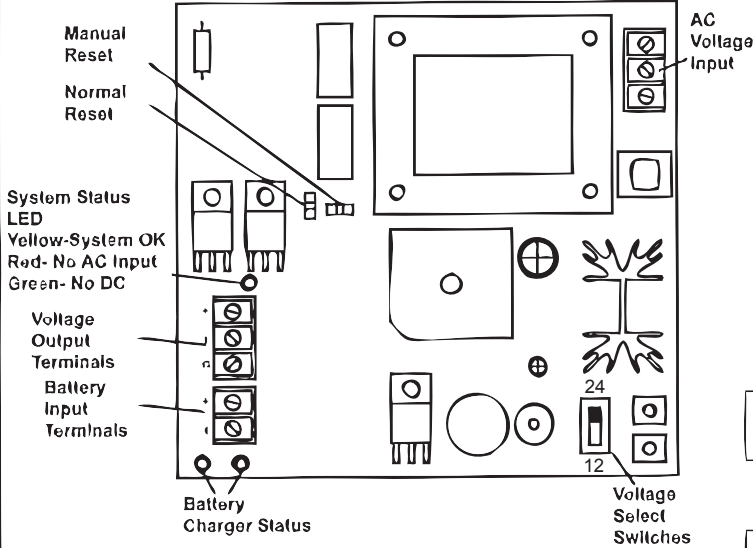


PS532RF / PS532RFA POWER SUPPLY
INSTALLATION INSTRUCTIONS

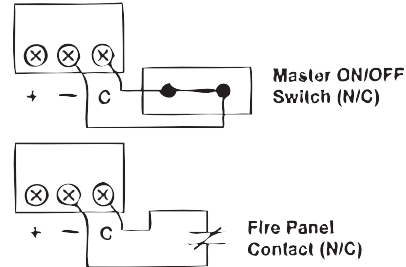


COMPONENT LOCATIONS



PS532RF

MAIN SYSTEM ON-OFF
OR
FIRE PANEL CONNECTION



Min. Switch
or
Contact Ratings
100ma. @ 30vdc

POWER SUPPLY SPECIFICATIONS

Input Voltage: 115 VAC @ 60hz
Input Current: 1.0 amps Max.

Output Voltage: 12/24 VDC (Regulated & Filtered)

Output Voltage Ranges:

12 V Operation: 9.2 - 12.0 VDC

24 V Operation: 21.2 - 24.0 VDC

Output Current: 2.0 amps

Ripple Voltage: 0.05 Volts Max

Battery Charger Max Current: 0.25 amps

Maximum recommended battery size: 4ah
(Replace batteries every 3 years.)

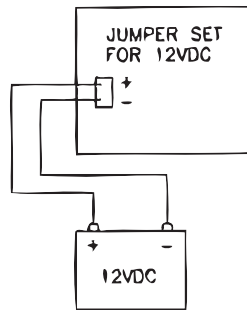
Suitable Uses:

Electric Lock Power Supply

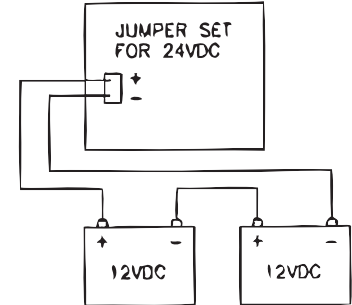
Access Control Power Supply

TEST UNIT YEARLY

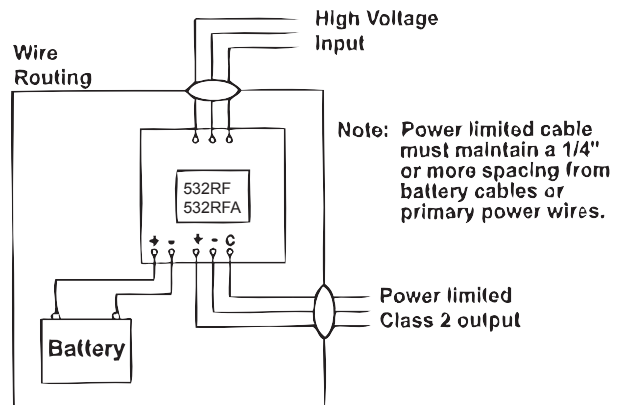
For wire gage chart, and to determine
battery backup capacity refer to
charts in the sales brochure.



12 Volt Mode Battery
Connections



24 Volt Mode Battery
Connections



Note: Power limited cable
must maintain a 1/4"
or more spacing from
battery cables or
primary power wires.