

RCI YG80

Weatherproof lock



High security

18mm diameter stainless steel bolt pin and reinforced strike design exceeds the highest UL strength tests.

Weatherproof

An IP67 certified design and a built-in heater for continued functionality in sub-zero climates.

Complete monitoring

A full range of output signals, including bolt locked and unlocked position, door position and tamper detection.

User-selectable modes

Selectable fail-safe and fail-secure modes.

Versatile installation options

The symmetrical design means the YG80 can be installed both horizontally and vertically in indoor and outdoor environments.

Eco-friendly

Draws as little as 50mA in standby and only 300mA operation at 12VDC.

Beautifully engineered.

The YG80 lock is the most advanced roller door and gate lock on the market. It is suited for indoor and outdoor environments, accommodating numerous entry points in any climate. This breakthrough product is a motor-driven, industrial-strength lock for securing any opening that needs true security and access control connectivity.

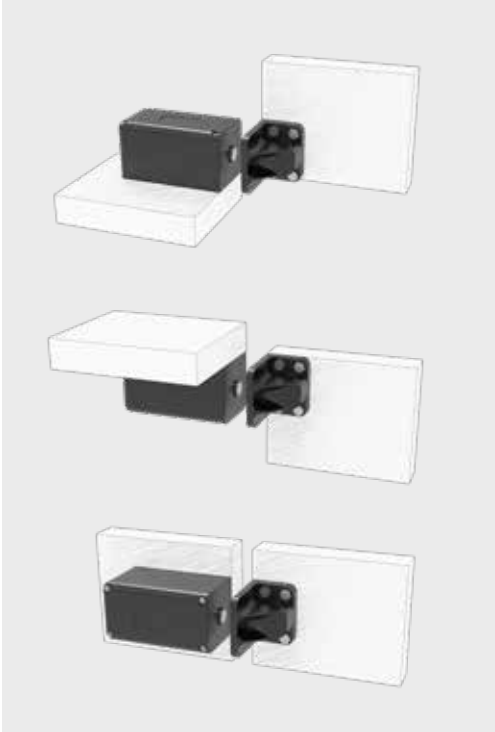
Next level access.

Ideal for many situations and challenging jobs, the YG80 is ideal for securing any large opening. Standard features include the monitoring of door status, bolt position, and tamper. The IP67 rating of the lock contributes to its versatility and ability to work in all kinds of environments including the summer heat and harsh winter cold.

Where form meets function.

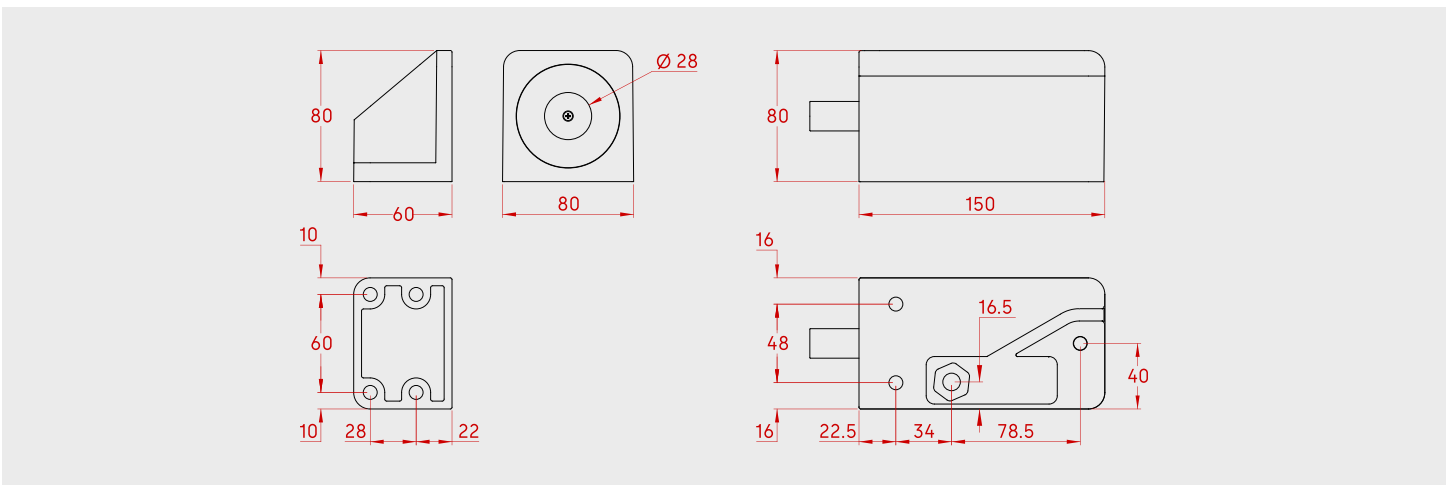
Used where strength is the dominant requirement and where the environment is unrelenting. Commonly seen on gates and shipping containers but used to solve a wide variety of locking problems for large openings. Meets the needs of several verticals, including military, corporate, logistics, and government sectors.

Versatile installation options



Door gap	15mm maximum
Static strength	11,420 lbs. pounds force
Dynamic strength	200 joules (factory tested to UL 1034)
Endurance	Cycle tested to 300,000 operations
Bolt pin double (2 pieces)	18mm, 30mm extension, 28mm receiver
Voltage at lock	12 - 24VDC ± 15%
Current usage	Standby: 40mA@12V, 30mA@24V Maximum: 1.0A@12V, 0.5A@24V 2.0A@24V with heater on
Monitor switch ratings	24VDC, 0.25A
Materials	lock/strike body: Aluminum 383 Bolt pint: Stainless steel 304 Strike ring: UV stabilized ABS
Compliance and certification	UL1034 American Standard UL294 Strength and compatibility CE Compliant, RoHS 2 Compliant FCC Part 15 / ISED Compliant IP67 Ingress Protection Grade 4 Corrosion Resistance (EN 1670:2007) Cold Operation -35°C (EN 60068-2-1:2007) Dry Heat Operation +70°C (EN 60068-2- 2:2007)

Dimensions



Any questions? We would be happy to advise you.
Contact us at: 1 800 539 7226