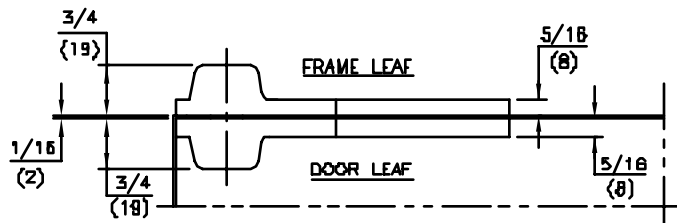
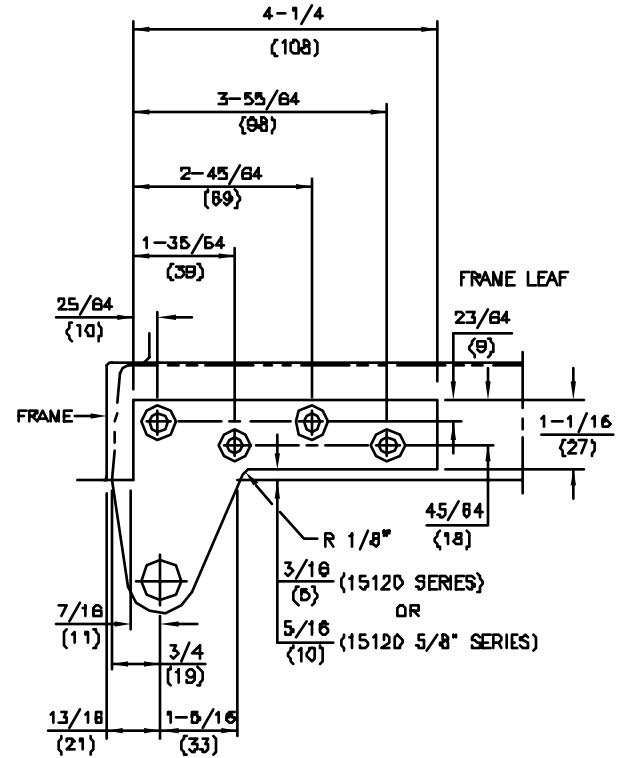
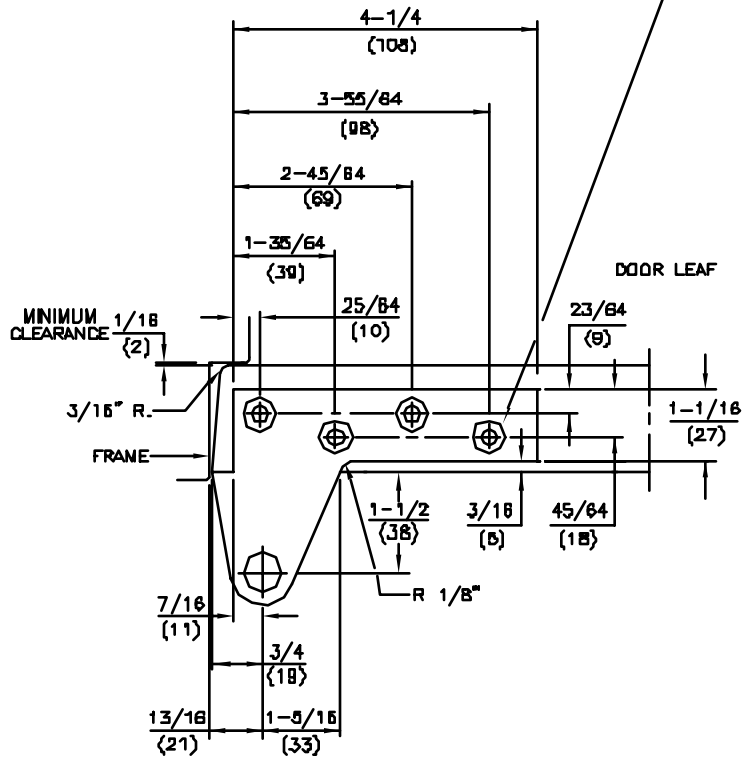


No.	REVISIONS	DATE

FOR 1/4-20 MACHINE SCREWS USE No.7 DRILL
 FOR No.14 WOOD SCREWS USE 5/32" DRILL
 FOUR (4) HOLES PER LEAF



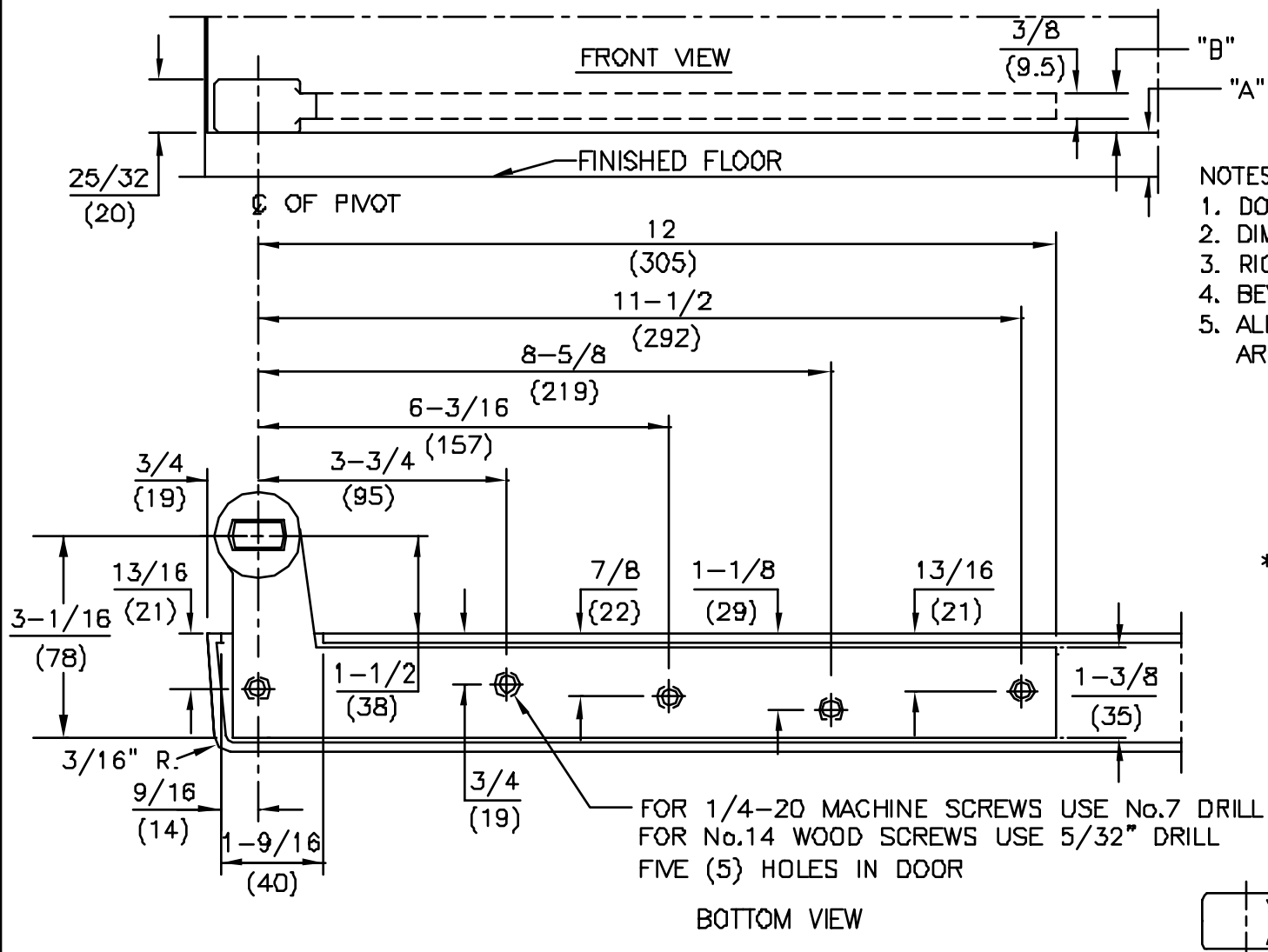
NOTES

1. DO NOT SCALE DRAWING.
2. DIMENSIONS ARE IN INCHES/(MM).
3. RIGHT HAND DOOR SHOWN.
4. BEVEL HEEL EDGE OF DOOR 1/8" IN 2".
5. ALL NECESSARY REINFORCING FOR PIVOT BY OTHERS.

ITEM No. [15120, 15122, 15133 (FLUSH DOOR) NON-HANDED],
 [15120 5/8, 15122 5/8, 15133 5/8 (1/8" REVEAL) HANDED]
 1-1/2" OFFSET FULL MORTISE TOP PIVOT

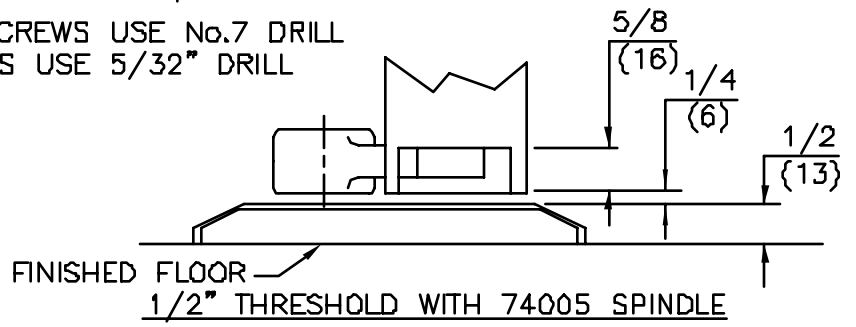


DORMA Architectural Hardware
 REAVISTOWN, PENNSYLVANIA 17567
 TEMPLATE No. LM-38



- NOTES
1. DO NOT SCALE DRAWING.
 2. DIMENSIONS ARE IN INCHES/(MM).
 3. RIGHT HAND DOOR SHOWN.
 4. BEVEL HEEL EDGE OF DOOR 1/8" IN 2".
 5. ALL NECESSARY REINFORCEMENT FOR ARM BY OTHERS.

SPINDLE EXT.	"A" CLEARANCE	"B" MORTISE DEPTH
74003	3/8"	3/4"
74003	9/16"	9/16"
* STD.74005	3/4"	9/16"
74007	7/8"	9/16"
74010	1"	9/16"
74012	1-1/16"	9/16"
74015	1-1/8"	9/16"
74020	1-3/8"	9/16"
74025	1-9/16"	9/16"
74030	1-3/4"	9/16"



ITEM No. 15323
 1-1/2" OFFSET BOTTOM ARM
 FOR NON-FIRE OR 3 HR. RATED DOORS
 FOR USE WITH 7471HD FLOOR BEARING

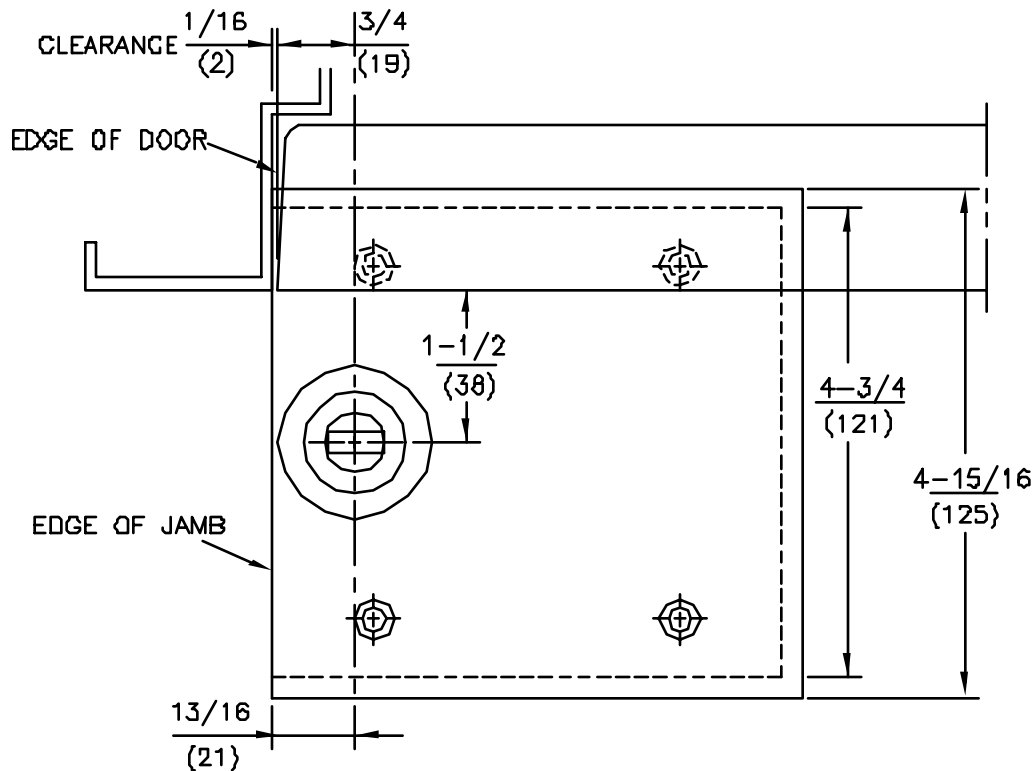


DORMA Architectural Hardware
 REAMSTOWN, PENNSYLVANIA 17667
 TEMPLATE No. LM-62

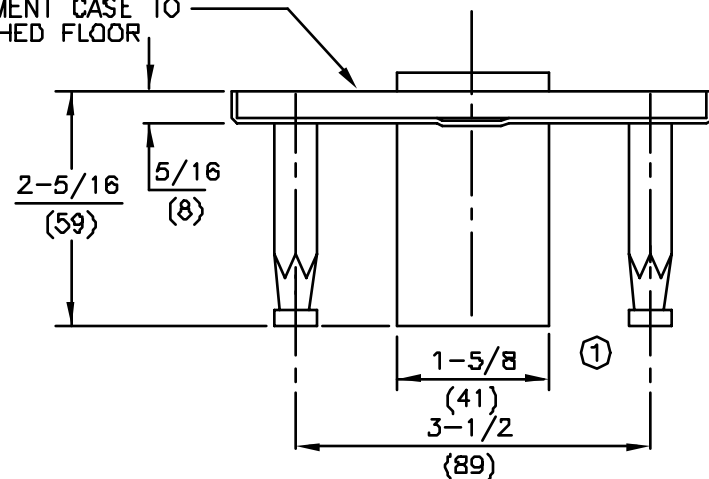
NOTES:

1. DO NOT SCALE DRAWING.
2. DIMENSIONS ARE IN INCHES\MM.
3. RIGHT HAND DOOR SHOWN.

No.	REVISIONS	DATE
1	REVISED DIMENSION	4/24/00

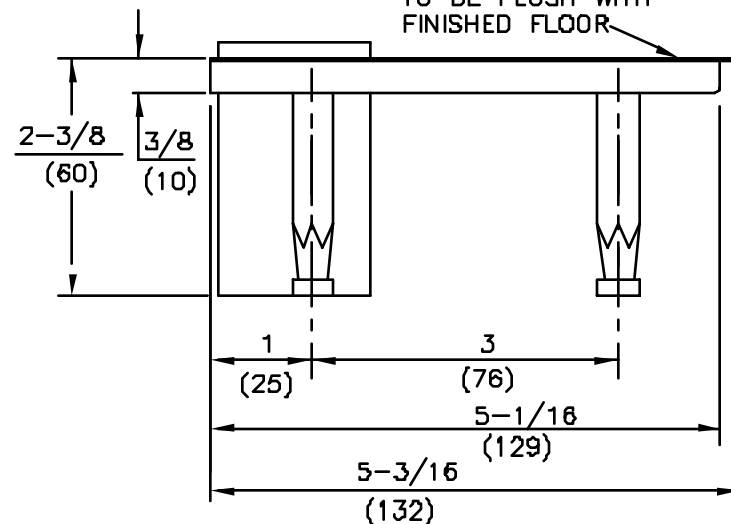


TOP SURFACE OF CEMENT CASE TO BE FLUSH WITH FINISHED FLOOR



WITH THRESHOLD

BASE COVER PLATE TO BE FLUSH WITH FINISHED FLOOR



WITHOUT THRESHOLD

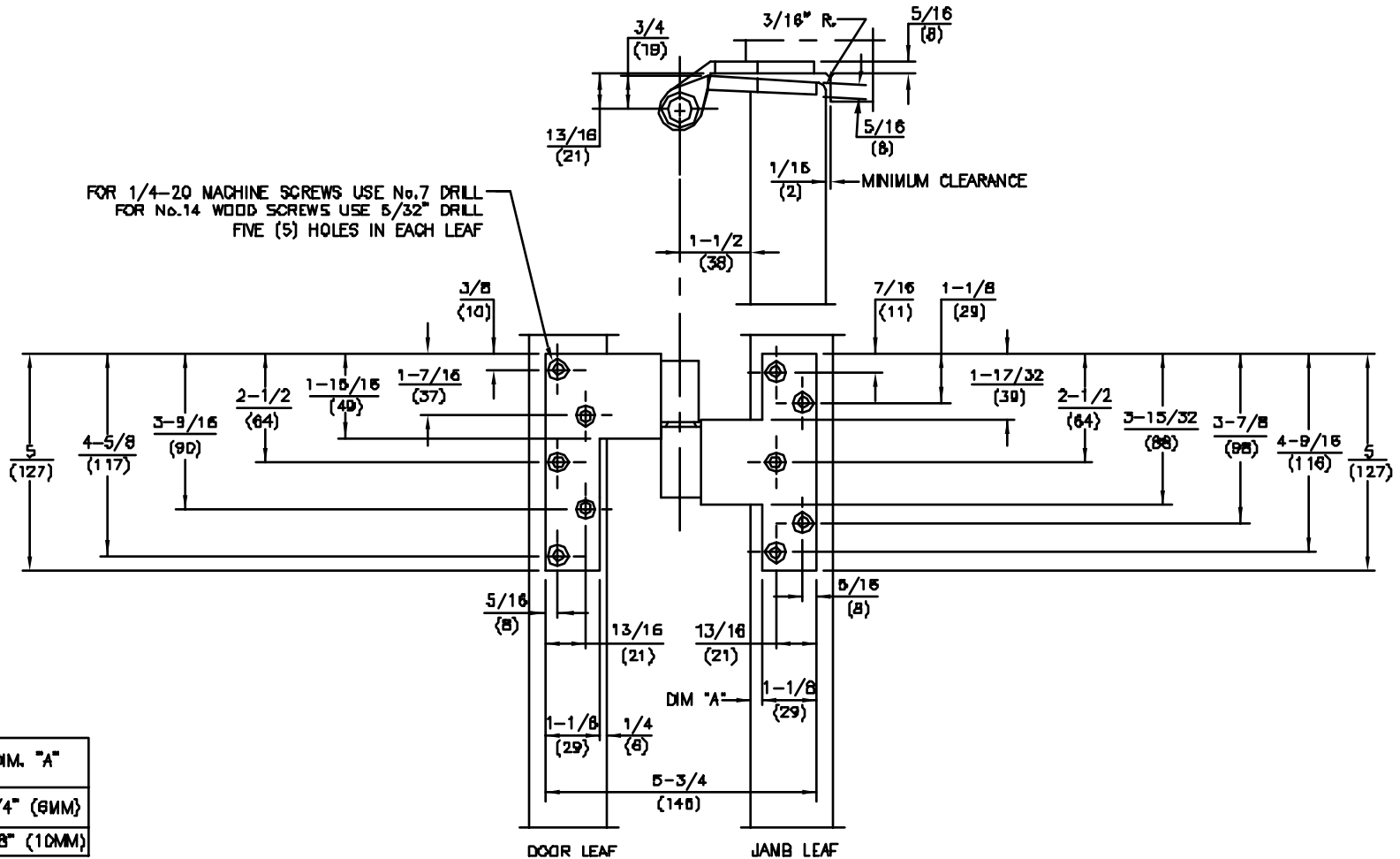
ITEM No. 7471HD FLOOR BEARING
 1-1/2" OFFSET HEAVY DUTY FLOOR BEARING INSTALLATION
 FOR USE WITH 15323 BOTTOM ARM



DORMA Architectural Hardware
 REAMSTOWN, PENNSYLVANIA 17567
 TEMPLATE No. LM-59 ①

No.	REVISIONS	DATE

- NOTES
1. DO NOT SCALE DRAWING.
 2. DIMENSIONS ARE IN INCHES/(MM).
 3. RIGHT HAND DOOR SHOWN.
 4. BEVEL HEEL EDGE OF DOOR 1/8" IN 2".
 5. ALL NECESSARY REINFORCEMENT FOR PIVOT BY OTHERS.



ITEM No. 15220, 15222, 15233
1-1/2" OFFSET FULL MORTISE
INTERMEDIATE PIVOT (HANDED)



DORMA Architectural Hardware
REAVISTOWN, PENNSYLVANIA 17567
TEMPLATE No. LM-39