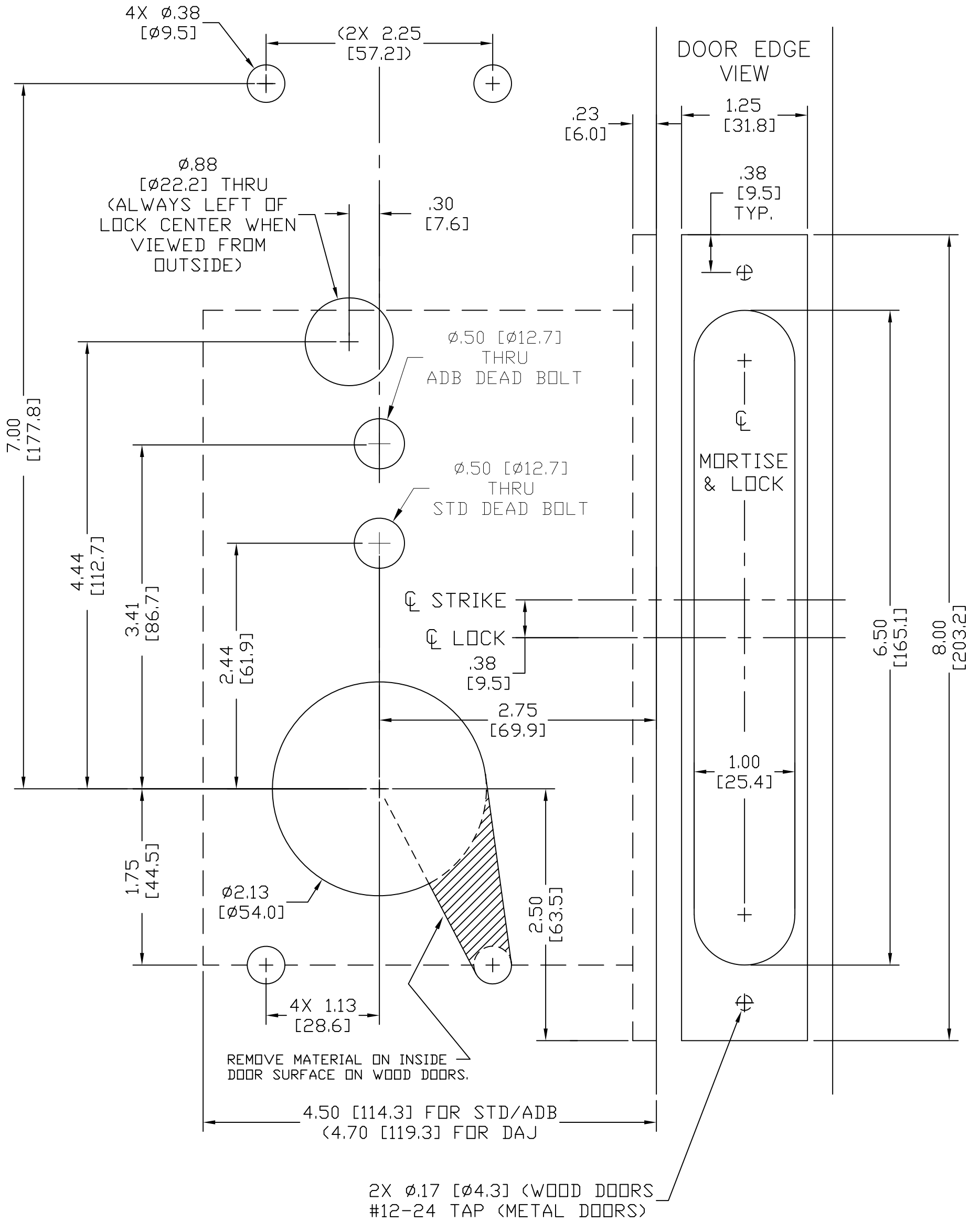


DOOR FACE VIEW

DOOR EDGE VIEW



DATE: 1/23/17

TEMPLATE PART NUMBER/FILENAME:
SAFLOK MT RFID TEMPLATE
PAGE 1

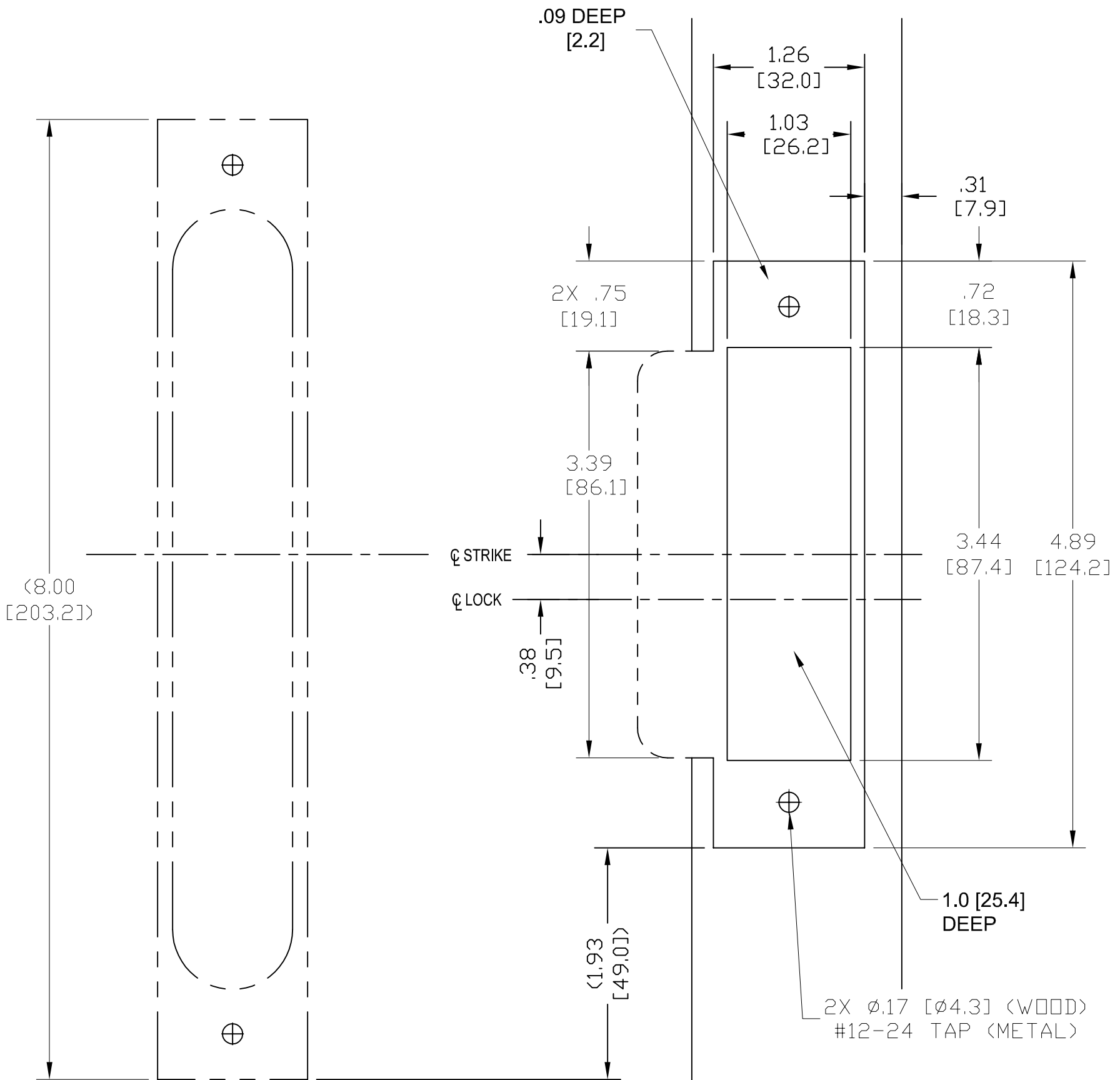


DIMENSIONAL TOLERANCE: \pm .02 [0.50]

TEMPLATE SCALE IS 1:1 IF THIS MEASURES 1":

INSTALLATION TEMPLATE
SAFLOK MT RFID STD/ADB/DAJ

DOOR FRAME
VIEW



** STRIKE TO BE PREPPED IN ACCORDANCE TO ANSI STANDARDS, ANY MODIFICATIONS TO THE FRAME WILL RESULT IN MISALIGNMENT OF STRIKE. PLEASE CONTACT SAFLOK SALES SUPPORT: 1-800-999-6213 **

DATE: 1/23/17

TEMPLATE PART NUMBER/FILENAME:
SAFLOK 4-7/8" ANSI STRIKE PREP

DIMENSIONAL TOLERANCE: \pm .02 [0.50]

TEMPLATE SCALE IS 1:1 IF THIS MEASURES 1":



INSTALLATION TEMPLATE
ANSI 4-7/8" STRIKE PREP