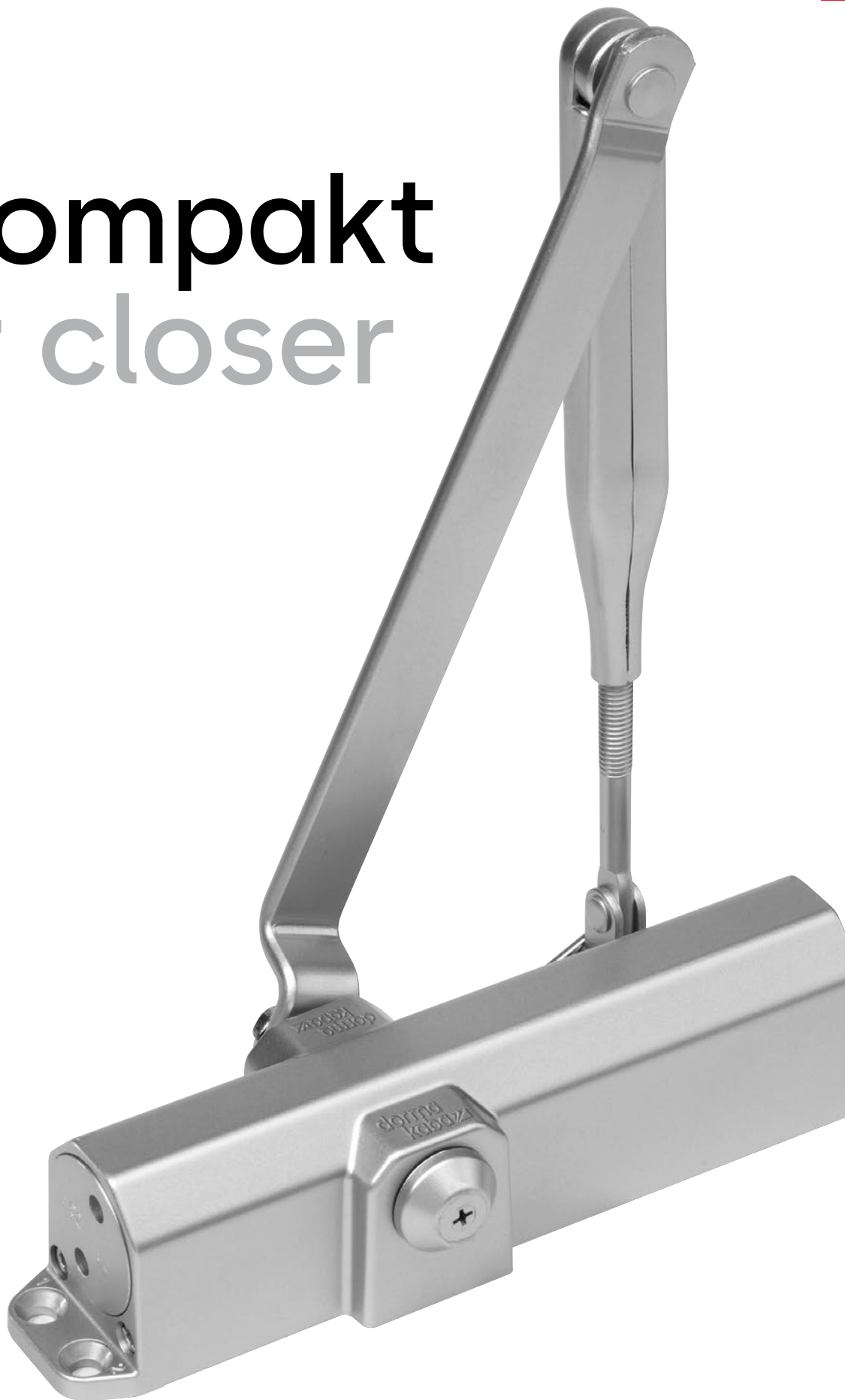


TS Kompakt Door closer



The ideal cost-efficient solution for standard doors

With the TS Kompakt, dormakaba has developed a door closer which can be universally used on all common door types. It is particularly quick and easy to install – and does not require a mounting backplate. Changes in templating allow easy selection of the closing force to suit various door sizes.

The production plant is ISO 9001 certified.

Plus points

For the trade

- Ideal solution for standard doors.
- Just one model for all sizes to simplify stocking.

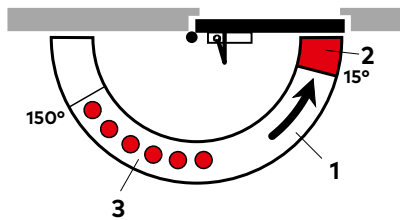
For the user

- Two valves for optimum closing speed.

For the installer

- Non-handed unit.
- Quick and easy to install.
- Fixes perfectly to all door types without the need for a mounting backplate.
- One model for all mounting positions.

Functions



- 1 Adjustable closing speed in the range 180° – 15°.
- 2 Adjustable closing speed in the range 15° – 0°.
- 3 Hold-open range with hold-open arm model (optional extra).

Closing force settings

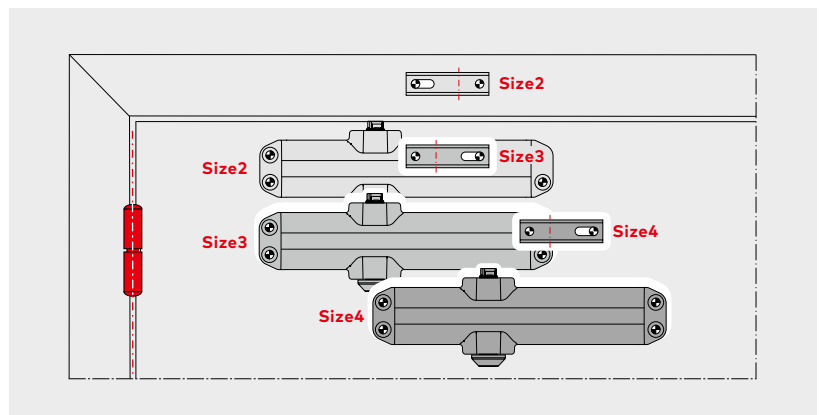
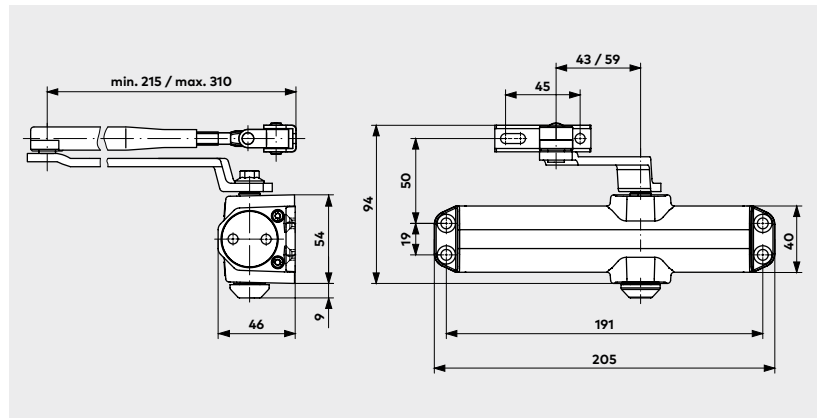
Door width	Size setting
≤ 850	Size 2
≤ 950	Size 3
≤ 1100	Size 4

The TS Kompakt size setting is selected for the door width by moving the closer body and/or turning the arm power shoe.

Data and features		TS Kompakt
Closing force, adjustable		2/3/4
Standard doors*	≤ 1100 mm	●
External doors, opening outwards*		-
Fire and smoke check doors*	≤ 1100 mm	-
Non-handed		●
Arm	Standard	●
	Slide channel	-
Closing speed adjustable at 2 separate valves		●
Backcheck		-
Delayed action		-
Hold-open		○
Weight in kg		1.2
Dimensions in mm		
	Length	205.0
	Overall depth	46.0
	Height	40.0
C UL US		●

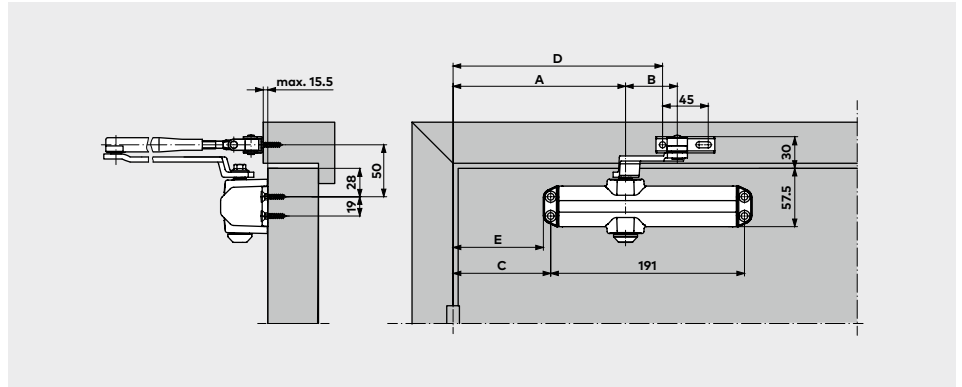
● Yes – no ○ Option

* For high and heavy doors, external doors, and for doors required to close against high wind pressure, we recommend dormakaba TS 83.



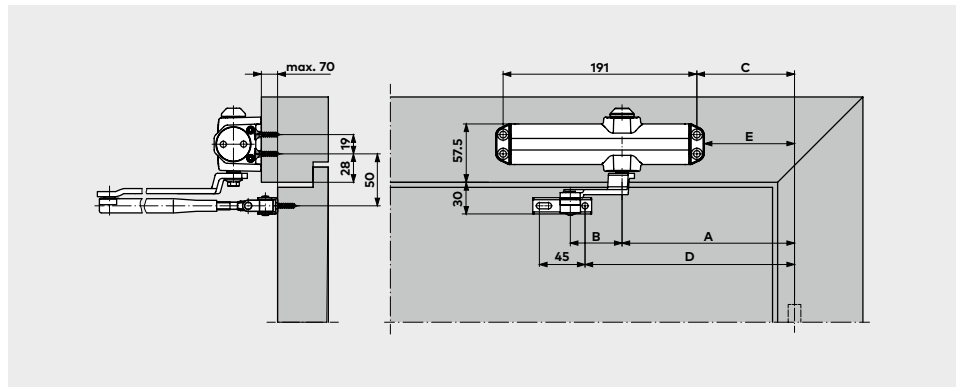
Door-leaf fixing, pull side

	Size 2	Size 3	Size 4
A	170.0	170.0	250.0
B	59.0	43.0	43.0
C	96.5	96.5	176.5
D	198.5	198.5	278.5
E	89.0	89.0	169.0



Frame fixing, push side

	Size 2	Size 3	Size 4
A	170.0	170.0	250.0
B	59.0	43.0	43.0
C	96.5	96.5	176.5
D	198.5	198.5	278.5
E	89.0	89.0	169.0



Note

On the application for size 4 (UL), move the door closer body 13 mm in the opposite direction of the door hinge from the above stated position for size 4.

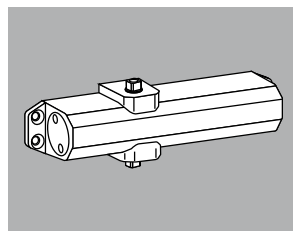
Standard equipment

Color	
Silver	01
Silver	03
Silver	11
black (RAL 9005)	19

Order number:

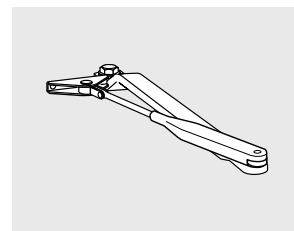
■□ - Closer with arm, complete

Door Closer – TS Kompakt



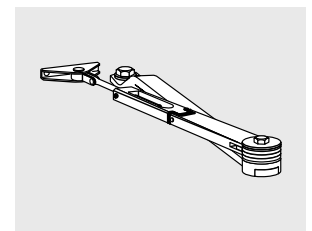
Size EN 2/3/4

Standard arm



■□ 670101xx

Hold-open arm



■□ 670102xx

Note

If the use of a door closer with mounting plate is required, we recommend dormakaba TS 73 V, TS 72, TS 71.

Specification text

Rack and pinion door closer with selectable closing force, size 2, 3 and 4 and adjustable closing speed in two independent ranges. Non-handed.

Model

- with standard arm
- with hold-open arm

Colour

- silver
- brown
- white (similar to RAL 9016)
- black (similar to RAL 9005)

Make

dormakaba TS Kompakt

Our Sustainability Commitment

We are committed to foster a sustainable development along our entire value chain in line with our economic, environmental and social responsibilities toward current and future generations. Sustainability at product level is an important, future-oriented approach in the field of construction. In order to give quantified disclosures of a product's environmental impact through its entire life cycle, dormakaba provides Environmental Product Declarations (EPD), based on holistic life cycle assessments.

www.dormakaba.com/sustainability



Our offering

Access Automation Solutions

Entrance Automation
Entrance Security



Access Control Solutions

Electronic Access & Data
Escape and Rescue Systems
Lodging Systems



Access Hardware Solutions

Door Closers
Architectural Hardware
Mechanical Key Systems



Services

Technical Support
Installation and commissioning
Maintenance and Repair



Key & Wall Solutions

Key Systems
Movable / Sliding Walls



Safe Locks

Electronic Safe Locks
Mechanical Safe Locks
Boltworks and Accessories



Glass systems

Manual door systems
Glass fittings
Horizontal Sliding Walls



WN 05410351532, EN, 05/2023
Subject to technical modifications.



dormakaba.com

dormakaba
International Holding AG
Hofwissenstrasse 24
CH-8153 Rümlang
T +41 44 818 90 11
info@dormakaba.com
dormakaba.com