



THE NEW DORMA U1500

Versatile & Affordable,
From a Brand You Can Trust

The **U1500** surface closer is designed to match the most common commercial hole pattern, making it an affordable distribution product for aftermarket replacement.

With its ANSI Grade 1 certification, ten-year warranty, and DORMA service and support, the U1500 makes no compromises.



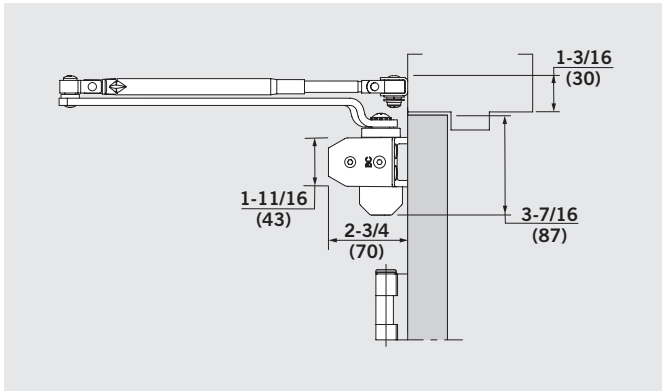
DORMA Solutions

- Cost-Effective
 - Universally Applicable
 - Hassle-Free Installation
 - Compact Design
 - Dependable DORMA Quality Backed by Expert Service & Support
-

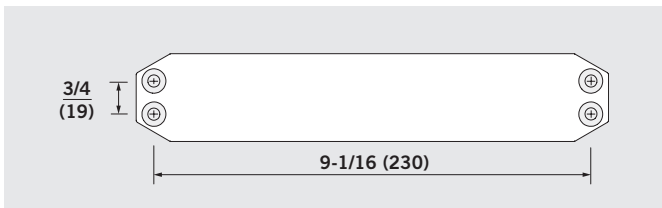
DORMA U1500 UNIVERSAL CLOSER

The U1500 closer is offered as a single model in two finishes, making it easy to order and stock with minimum complexity.

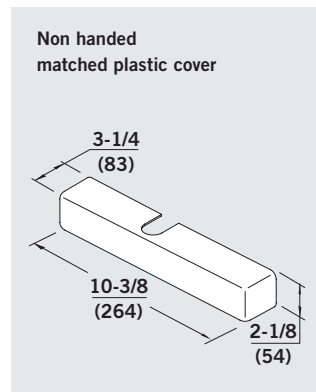
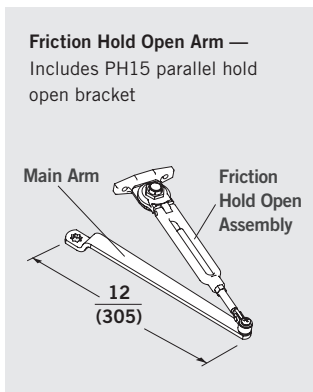
With a non-handed design and tri-packed arm, the U1500 is versatile and ready for most opening configurations. Ordering is a snap with multiple bulk options available.



Most common commercial hole pattern



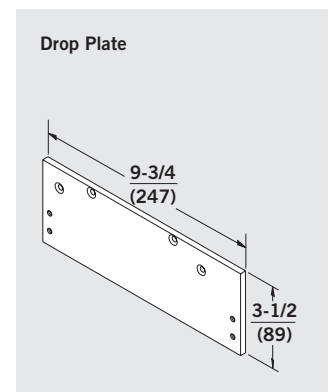
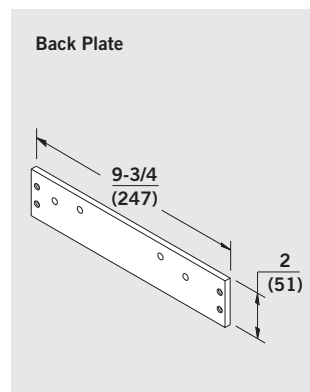
Optional Accessories



Features/Specifications

Certifications	BHMA ANSI/BHMA A156.4 Grade 1 certified
	UL LISTED UL and CUL listed, meets UL 10C for positive pressure
ICC	ICC A117.1 compliant
	CSFM (California State Fire Marshall) pending
Warranty*	10 years
Fluid	All weather
Handing	Non handed
Spring Size	Adjustable size 1–5
Fasteners	Self tapping machine and wood screws
Arms	Regular, parallel, or top jamb mounting
Installation	Universal hole pattern 3/4" (19 mm) × 9-1/16" (230 mm) provides easy installation and retrofit
Closing Control	Dual independent valve closing control for sweep and latch
Backcheck	Adjustable strength
Finishes	Aluminum: 689
	Dark Bronze: 695
Other Features	Compact design
	Cast aluminum body

*Warranty applicable within USA and Canada.



Contact us to place an order or for technical support.

DORMA USA, Inc.
Dorma Drive, Drawer AC
Reamstown, PA 17567
Tel: 800-523-8483
Fax: 800-274-9724
www.dorma.com