

8400 Offset Round Entrance Pull Handles

dormakaba's offset round entrance pull handles epitomize the high quality ambitions of the dormakaba brand – designed for excellence down to the very last detail and exuding fine craftsmanship. They offer genuine quality, characterised by clearly defined features – irrespective of shape or size.

Created in solid, premium 316 Marine Grade Stainless Steel offering superior corrosion resistance for internal and external use in high traffic buildings. The offset round section allows comfortable ease of use.

The 8400 offset round entry pull handles are an ideal choice for residential and commercial applications and are suitable for use on glass, timber and aluminium doors.

Features at a glance:

- 316 Marine Grade Stainless Steel
- Designed with your project's needs in mind
- High durability with concealed fixings
- Standard finishes: SSS and PSS
- Powdercoat and custom finishes available on request

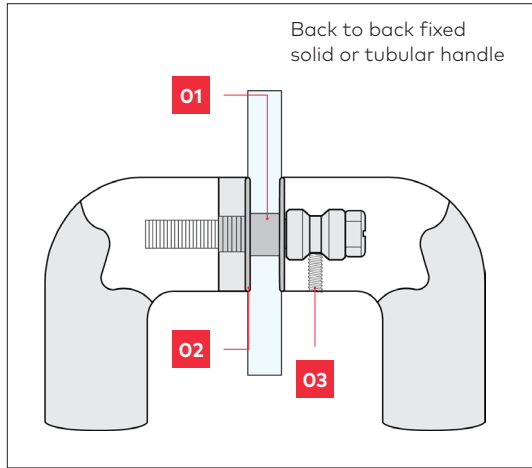
Please refer to ordering details for a range of optional accessories to suit:

- Back to back extended fixing for timber doors
- Back to back fixing for glass doors
- Disc fixing for timber doors
- Disc fixing for glass doors

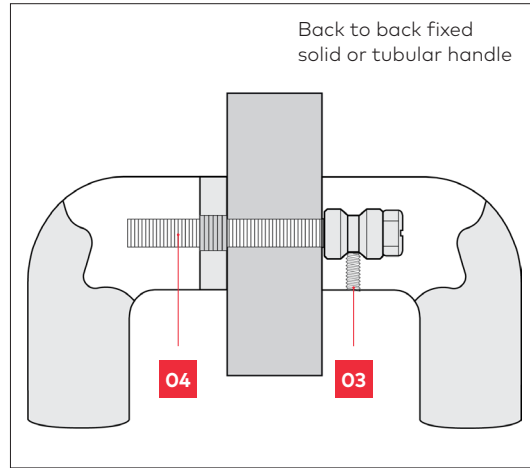
dormakaba Australia
Head Office
12-13 Dansu Court
Hallam VIC 3803
T: 1800 675 411
info.au@dormakaba.com
www.dormakaba.com.au

dormakaba New Zealand
Head Office
Building P, 61-69 Patiki Road
Avondale, Auckland 1026
T: 0800 436 762
info.nz@dormakaba.com
www.dormakaba.co.nz

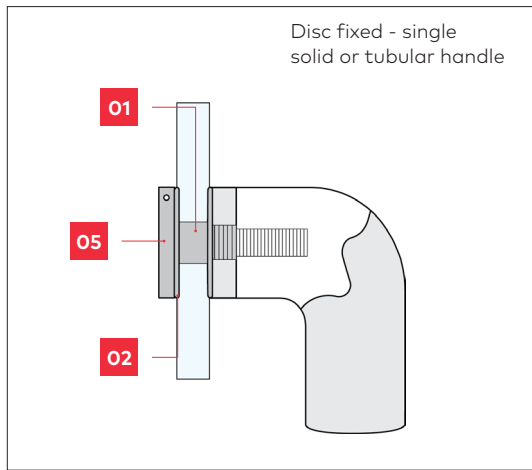
Fixing options



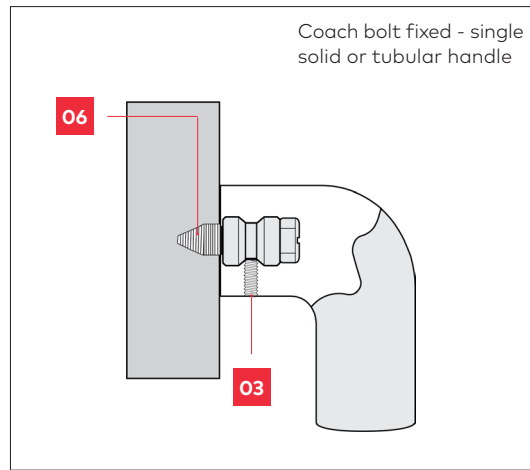
GD FIX - glass doors



TM FIX - timber or metal doors



D FIX - glass, metal or timber doors



C FIX - timber doors only

Note
Nylon spacers and washers are included with handle for glass door fixing option.

Legend
01 Spacer **03** Grub Screw **05** Disc
02 Washer **04** Bolt **06** Coach Bolt

TIMBER DOOR FIXING

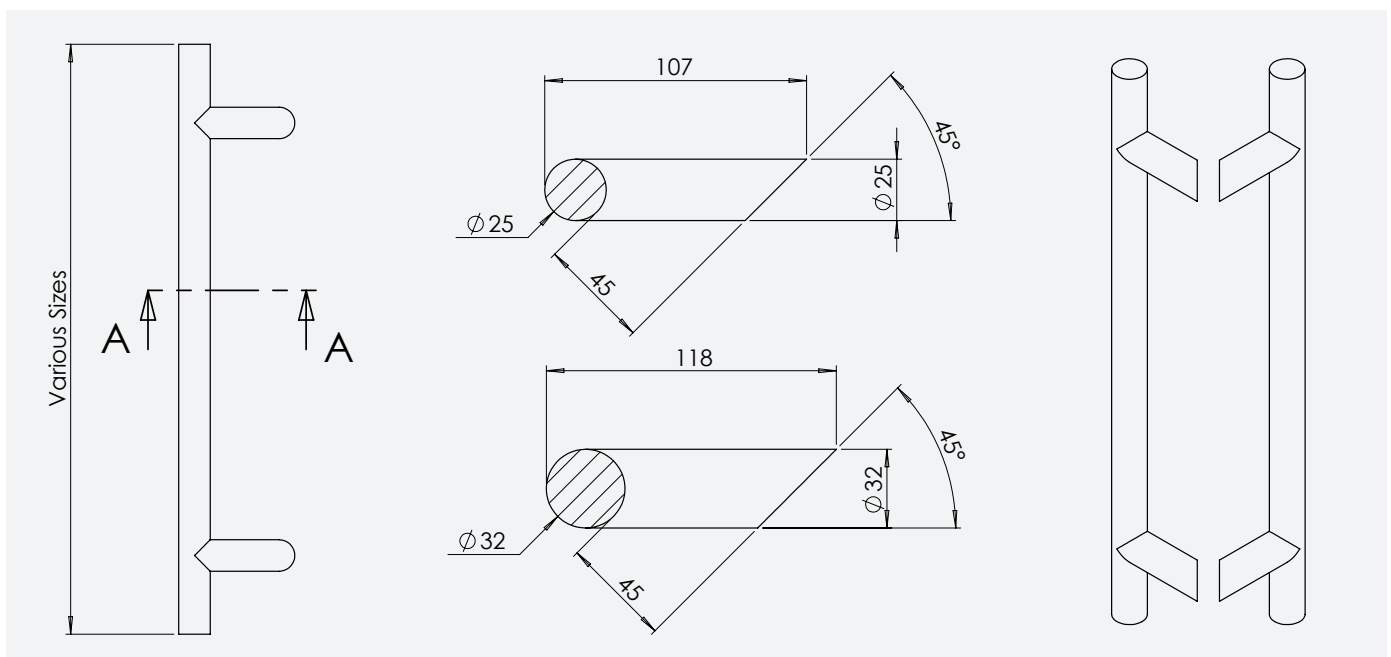
Material Size	Bolt Size
14mm Ø	5mm
16mm Ø	5mm
19mm Ø	8mm
25mm Ø	8mm
32mm Ø	8mm

METAL DOOR FIXING

Material Size	Bolt Size
14mm Ø	5mm
16mm Ø	5mm
19mm Ø	8mm
25mm Ø	8mm
32mm Ø	8mm

GLASS DOOR FIXING

Material Size	Bolt Size
14mm Ø	12mm Ø
16mm Ø	12mm Ø
19mm Ø	12mm Ø
25mm Ø	12mm Ø
32mm Ø	12mm Ø



Ordering details

Item	Article Number	Description	Diameter	Projection	Offset	Length	Fixing Centres
BACK TO BACK FIXING							
Note: 8400 Series 25mm diameter requires a centre standoff for lengths 1900mm and over							
B8400/A/25/PSS	9458409744102	B8400/A/25 OA 2400 CTC 2240 PSS	25mm	65mm	107mm	2400mm	2240mm
B8400/A/25/SSS	9458409744101	B8400/A/25 OA 2400 CTC 2240 SSS	25mm	65mm	107mm	2400mm	2240mm
B8400/A/32/PSS	9458409745102	B8400/A/32 OA 2400 CTC 2240 PSS	32mm	70mm	118mm	2400mm	2240mm
B8400/A/32/SSS	9458409745101	B8400/A/32 OA 2400 CTC 2240 SSS	32mm	70mm	118mm	2400mm	2240mm
B8400/B/25/PSS	9458409624102	B8400/B/25 OA 2300 CTC 2140 PSS	25mm	65mm	107mm	2300mm	2140mm
B8400/B/25/SSS	9458409624101	B8400/B/25 OA 2300 CTC 2140 SSS	25mm	65mm	107mm	2300mm	2140mm
B8400/B/32/PSS	9458409625102	B8400/B/32 OA 2300 CTC 2140 PSS	32mm	70mm	118mm	2300mm	2140mm
B8400/B/32/SSS	9458409625101	B8400/B/32 OA 2300 CTC 2140 SSS	32mm	70mm	118mm	2300mm	2140mm
B8400/C/25/PSS	9458409504102	B8400/C/25 OA 2200 CTC 2040 PSS	25mm	65mm	107mm	2200mm	2040mm
B8400/C/25/SSS	9458409504101	B8400/C/25 OA 2200 CTC 2040 SSS	25mm	65mm	107mm	2200mm	2040mm
B8400/C/32/PSS	9458409505102	B8400/C/32 OA 2200 CTC 2040 PSS	32mm	70mm	118mm	2200mm	2040mm
B8400/C/32/SSS	9458409505101	B8400/C/32 OA 2200 CTC 2040 SSS	32mm	70mm	118mm	2200mm	2040mm
B8400/D/25/PSS	9458409324102	B8400/D/25 OA 2100 CTC 1940 PSS	25mm	65mm	107mm	2100mm	1940mm
B8400/D/25/SSS	9458409324101	B8400/D/25 OA 2100 CTC 1940 SSS	25mm	65mm	107mm	2100mm	1940mm
B8400/D/32/PSS	9458409325102	B8400/D/32 OA 2100 CTC 1940 PSS	32mm	70mm	118mm	2100mm	1940mm
B8400/D/32/SSS	9458409325101	B8400/D/32 OA 2100 CTC 1940 SSS	32mm	70mm	118mm	2100mm	1940mm
B8400/E/25/PSS	9458409144102	B8400/E/25 OA 2000 CTC 1840 PSS	25mm	65mm	107mm	2000mm	1840mm
B8400/E/25/SSS	9458409144101	B8400/E/25 OA 2000 CTC 1840 SSS	25mm	65mm	107mm	2000mm	1840mm
B8400/E/32/PSS	9458409145102	B8400/E/32 OA 2000 CTC 1840 PSS	32mm	70mm	118mm	2000mm	1840mm
B8400/E/32/SSS	9458409145101	B8400/E/32 OA 2000 CTC 1840 SSS	32mm	70mm	118mm	2000mm	1840mm
B8400/F/25/PSS	9458408994102	B8400/F/25 OA 1900 CTC 1740 PSS	25mm	65mm	107mm	1900mm	1740mm
B8400/F/25/SSS	9458408994101	B8400/F/25 OA 1900 CTC 1740 SSS	25mm	65mm	107mm	1900mm	1740mm
B8400/F/32/PSS	9458408995102	B8400/F/32 OA 1900 CTC 1740 PSS	32mm	70mm	118mm	1900mm	1740mm
B8400/F/32/SSS	9458408995101	B8400/F/32 OA 1900 CTC 1740 SSS	32mm	70mm	118mm	1900mm	1740mm
B8400/G/25/PSS	9458408814102	B8400/G/25 OA 1800 CTC 1640 PSS	25mm	65mm	107mm	1800mm	1640mm
B8400/G/25/SSS	9458408814101	B8400/G/25 OA 1800 CTC 1640 SSS	25mm	65mm	107mm	1800mm	1640mm
B8400/G/32/PSS	9458408815102	B8400/G/32 OA 1800 CTC 1640 PSS	32mm	70mm	118mm	1800mm	1640mm
B8400/G/32/SSS	9458408815101	B8400/G/32 OA 1800 CTC 1640 SSS	32mm	70mm	118mm	1800mm	1640mm
B8400/H/25/PSS	9458408604102	B8400/H/25 OA 1700 CTC 1540 PSS	25mm	65mm	107mm	1700mm	1540mm
B8400/H/25/SSS	9458408604101	B8400/H/25 OA 1700 CTC 1540 SSS	25mm	65mm	107mm	1700mm	1540mm
B8400/H/32/PSS	9458408605102	B8400/H/32 OA 1700 CTC 1540 PSS	32mm	70mm	118mm	1700mm	1540mm
B8400/H/32/SSS	9458408605101	B8400/H/32 OA 1700 CTC 1540 SSS	32mm	70mm	118mm	1700mm	1540mm
B8400/I/25/PSS	9458408274102	B8400/I/25 OA 1700 CTC 1440 PSS	25mm	65mm	107mm	1700mm	1440mm
B8400/I/25/SSS	9458408274101	B8400/I/25 OA 1600 CTC 1440 SSS	25mm	65mm	107mm	1700mm	1440mm
B8400/I/32/PSS	9458408275102	B8400/I/32 OA 1600 CTC 1440 PSS	32mm	70mm	118mm	1700mm	1440mm
B8400/I/32/SSS	9458408275101	B8400/I/32 OA 1600 CTC 1440 SSS	32mm	70mm	118mm	1700mm	1440mm
B8400/J/25/PSS	9458407944102	B8400/J/25 OA 1500 CTC 1340 PSS	25mm	65mm	107mm	1500mm	1340mm
B8400/J/25/SSS	9458407944101	B8400/J/25 OA 1500 CTC 1340 SSS	25mm	65mm	107mm	1500mm	1340mm

Ordering details

Item	Article Number	Description	Diameter	Projection	Offset	Length	Fixing Centres
B8400/J/32/PSS	9458407945102	B8400/J/32 OA 1500 CTC 1340 PSS	32mm	70mm	118mm	1500mm	1340mm
B8400/J/32/SSS	9458407945101	B8400/J/32 OA 1500 CTC 1340 SSS	32mm	70mm	118mm	1500mm	1340mm
B8400/K/25/PSS	9458407614102	B8400/K/25 OA 1400 CTC 1240 PSS	25mm	65mm	107mm	1400mm	1240mm
B8400/K/25/SSS	9458407614101	B8400/K/25 OA 1400 CTC 1240 SSS	25mm	65mm	107mm	1400mm	1240mm
B8400/K/32/PSS	9458407615102	B8400/K/32 OA 1400 CTC 1240 PSS	32mm	70mm	118mm	1400mm	1240mm
B8400/K/32/SSS	9458407615101	B8400/K/32 OA 1400 CTC 1240 SSS	32mm	70mm	118mm	1400mm	1240mm
B8400/L/25/PSS	9458407224102	B8400/L/25 OA 1300 CTC 1140 PSS	25mm	65mm	107mm	1300mm	1140mm
B8400/L/25/SSS	9458407224101	B8400/L/25 OA 1300 CTC 1140 SSS	25mm	65mm	107mm	1300mm	1140mm
B8400/L/32/PSS	9458407225102	B8400/L/32 OA 1300 CTC 1140 PSS	32mm	70mm	118mm	1300mm	1140mm
B8400/L/32/SSS	9458407225101	B8400/L/32 OA 1300 CTC 1140 SSS	32mm	70mm	118mm	1300mm	1140mm
B8400/M/25/PSS	9458406894102	B8400/M/25 OA 1200 CTC 1040 PSS	25mm	65mm	107mm	1200mm	1040mm
B8400/M/25/SSS	9458406894101	B8400/M/25 OA 1200 CTC 1040 SSS	25mm	65mm	107mm	1200mm	1040mm
B8400/M/32/PSS	9458406895102	B8400/M/32 OA 1200 CTC 1040 PSS	32mm	70mm	118mm	1200mm	1040mm
B8400/M/32/SSS	9458406895101	B8400/M/32 OA 1200 CTC 1040 SSS	32mm	70mm	118mm	1200mm	1040mm
B8400/N/25/PSS	9458406474102	B8400/N/25 OA 1100 CTC 940 PSS	25mm	65mm	107mm	1100mm	940mm
B8400/N/25/SSS	9458406474101	B8400/N/25 OA 1100 CTC 940 SSS	25mm	65mm	107mm	1100mm	940mm
B8400/N/32/PSS	9458406475102	B8400/N/32 OA 1100 CTC 940 PSS	32mm	70mm	118mm	1100mm	940mm
B8400/N/32/SSS	9458406475101	B8400/N/32 OA 1100 CTC 940 SSS	32mm	70mm	118mm	1100mm	940mm
B8400/O/25/PSS	9458406084102	B8400/O/25 OA 1000 CTC 840 PSS	25mm	65mm	107mm	1000mm	840mm
B8400/O/25/SSS	9458406084101	B8400/O/25 OA 1000 CTC 840 SSS	25mm	65mm	107mm	1000mm	840mm
B8400/O/32/PSS	9458406085102	B8400/O/32 OA 1000 CTC 840 PSS	32mm	70mm	118mm	1000mm	840mm
B8400/O/32/SSS	9458406085101	B8400/O/32 OA 1000 CTC 840 SSS	32mm	70mm	118mm	1000mm	840mm
B8400/P/25/PSS	9458405514102	B8400/P/25 OA 900 CTC 740 PSS	25mm	65mm	107mm	900mm	740mm
B8400/P/25/SSS	9458405514101	B8400/P/25 OA 900 CTC 740 SSS	25mm	65mm	107mm	900mm	740mm
B8400/P/32/PSS	9458405515102	B8400/P/32 OA 900 CTC 740 PSS	32mm	70mm	118mm	900mm	740mm
B8400/P/32/SSS	9458405515101	B8400/P/32 OA 900 CTC 740 SSS	32mm	70mm	118mm	900mm	740mm
B8400/Q/25/PSS	9458405064102	B8400/Q/25 OA 800 CTC 640 PSS	25mm	65mm	107mm	800mm	640mm
B8400/Q/25/SSS	9458405064101	B8400/Q/25 OA 800 CTC 640 SSS	25mm	65mm	107mm	800mm	640mm
B8400/Q/32/PSS	9458405065102	B8400/Q/32 OA 800 CTC 640 PSS	32mm	70mm	118mm	800mm	640mm
B8400/Q/32/SSS	9458405065101	B8400/Q/32 OA 800 CTC 640 SSS	32mm	70mm	118mm	800mm	640mm
B8400/R/25/PSS	9458404584102	B8400/R/25 OA 700 CTC 540 PSS	25mm	65mm	107mm	700mm	540mm
B8400/R/25/SSS	9458404584101	B8400/R/25 OA 700 CTC 540 SSS	25mm	65mm	107mm	700mm	540mm
B8400/R/32/PSS	9458404585102	B8400/R/32 OA 700 CTC 540 PSS	32mm	70mm	118mm	700mm	540mm
B8400/R/32/SSS	9458404585101	B8400/R/32 OA 700 CTC 540 SSS	32mm	70mm	118mm	700mm	540mm
B8400/S/25/PSS	9458403894102	B8400/S/25 OA 600 CTC 440 PSS	25mm	65mm	107mm	600mm	440mm

Ordering details

Item	Article Number	Description	Diameter	Projection	Offset	Length	Fixing Centres
B8400/S/25/SSS	9458403894101	B8400/S/25 OA 600 CTC 440 SSS	25mm	65mm	107mm	600mm	440mm
B8400/S/32/PSS	9458403895102	B8400/S/32 OA 600 CTC 440 PSS	32mm	70mm	118mm	600mm	440mm
B8400/S/32/SSS	9458403895101	B8400/S/32 OA 600 CTC 440 SSS	32mm	70mm	118mm	600mm	440mm
B8400/T/25/PSS	9458403204102	B8400/T/25 OA 500 CTC 340 PSS	25mm	65mm	107mm	500mm	340mm
B8400/T/25/SSS	9458403204101	B8400/T/25 OA 500 CTC 340 SSS	25mm	65mm	107mm	500mm	340mm
B8400/T/32/PSS	9458403205102	B8400/T/32 OA 500 CTC 340 PSS	32mm	70mm	118mm	500mm	340mm
B8400/T/32/SSS	9458403205101	B8400/T/32 OA 500 CTC 340 SSS	32mm	70mm	118mm	500mm	340mm
B8400/U/25/PSS	9458402484102	B8400/U/25 OA 400 CTC 240 PSS	25mm	65mm	107mm	400mm	240mm
B8400/U/25/SSS	9458402484101	B8400/U/25 OA 400 CTC 240 SSS	25mm	65mm	107mm	400mm	240mm
B8400/U/32/PSS	9458402485102	B8400/U/32 OA 400 CTC 240 PSS	32mm	70mm	118mm	400mm	240mm
B8400/U/32/SSS	9458402485101	B8400/U/32 OA 400 CTC 240 SSS	32mm	70mm	118mm	400mm	240mm

ACCESSORIES - EXTENDED FIXINGS

TM/M8/50	9459508058200	M8/50 FERULE HEAD BOLT TM FIX	<p>Note: When ordering extended fixings please use the below formula.</p> <p>Door thickness + 20mm for the Ferule + 10mm in to the other handle = round up to the nearest size offered.</p>
TM/M8/75	9459758078200	M8/75 FERULE HEAD BOLT TM FIX	
TM/M8/90	9400000012887	M8/90 BOLT & 16MM FERULE TM FIX	
TM/M8/100	9400000012888	M8/100 BOLT & 16MM FERULE TM FIX	
TM/M8/110	9459118118200	M8/110 BOLT & 16MM FERULE TM FIX	
TM/M8/120	9459128128200	M8/120 BOLT & 16MM FERULE TM FIX	
TM/M8/130	9459138138200	M8/130 BOLT & 16MM FERULE TM FIX	
TM/M8/150	9459158158200	M8/150 BOLT & 16MM FERULE TM FIX	

ACCESSORIES - GLASS FIXINGS

GF8400	9400000014834	8400 25/32 GLASS FIXING PAIRS
--------	---------------	-------------------------------