



## 6200 Straight Round Entrance Pull Handles

dormakaba's straight round entrance pull handles epitomize the high quality ambitions of the dormakaba brand – designed for excellence down to the very last detail and exuding fine craftsmanship. They offer genuine quality, characterised by clearly defined features – irrespective of shape or size.

Created in solid, premium 316 Marine Grade Stainless Steel offering superior corrosion resistance for internal and external use in high traffic buildings. The round section allows comfortable ease of use.

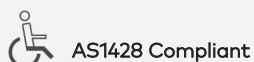
The 6200 entrance pull handles are an ideal choice for residential and commercial applications and are suitable for use on glass, timber and aluminium doors.

### Features at a glance:

- 316 Marine Grade Stainless Steel
- Designed with your project's needs in mind
- High durability with concealed fixings
- Standard finishes: SSS and PSS
- Powdercoat and custom finishes available on request

Please refer to ordering details for a range of optional accessories to suit:

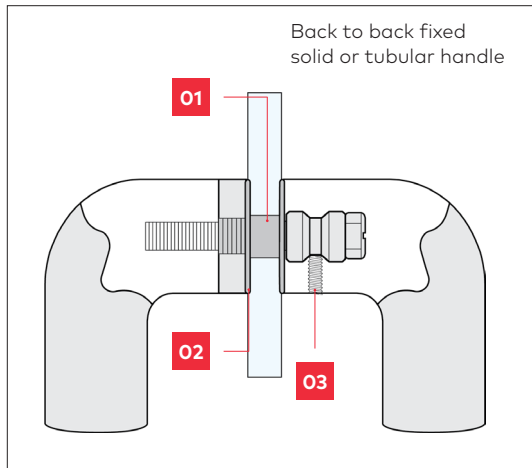
- Back to back extended fixing for timber doors
- Back to back fixing for glass doors
- Disc fixing for timber doors
- Disc fixing for glass doors



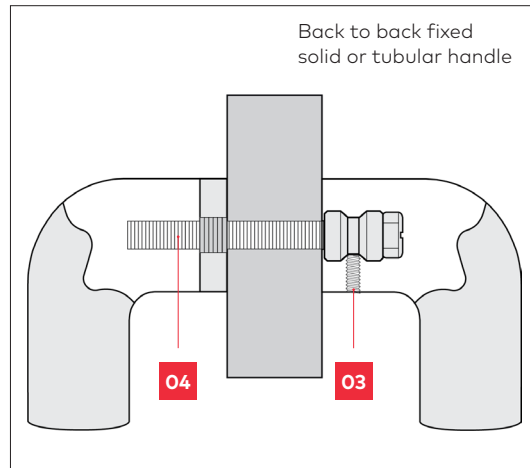
dormakaba Australia  
Head Office  
12-13 Dansu Court  
Hallam VIC 3803  
T: 1800 675 411  
info.au@dormakaba.com  
www.dormakaba.com.au

dormakaba New Zealand  
Head Office  
Building P, 61-69 Patiki Road  
Avondale, Auckland 1026  
T: 0800 436 762  
info.nz@dormakaba.com  
www.dormakaba.co.nz

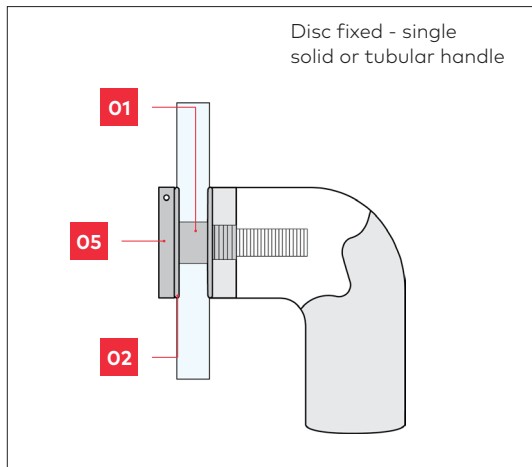
# Fixing options



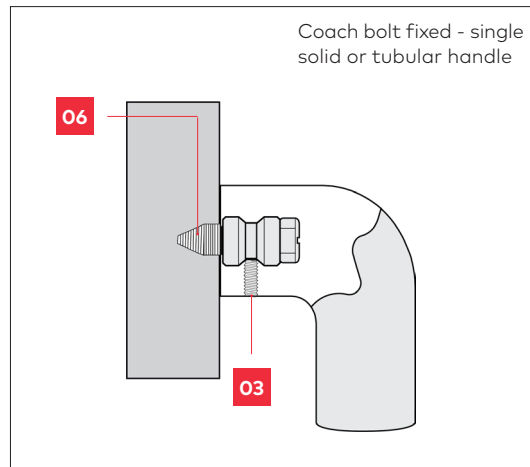
**GD FIX** - glass doors



**TM FIX** - timber or metal doors



**D FIX** - glass, metal or timber doors



**C FIX** - timber doors only

**Note**  
Nylon spacers and washers are included with handle for glass door fixing option.

**Legend**  
**01** Spacer      **03** Grub Screw      **05** Disc  
**02** Washer      **04** Bolt                      **06** Coach Bolt

## TIMBER DOOR FIXING

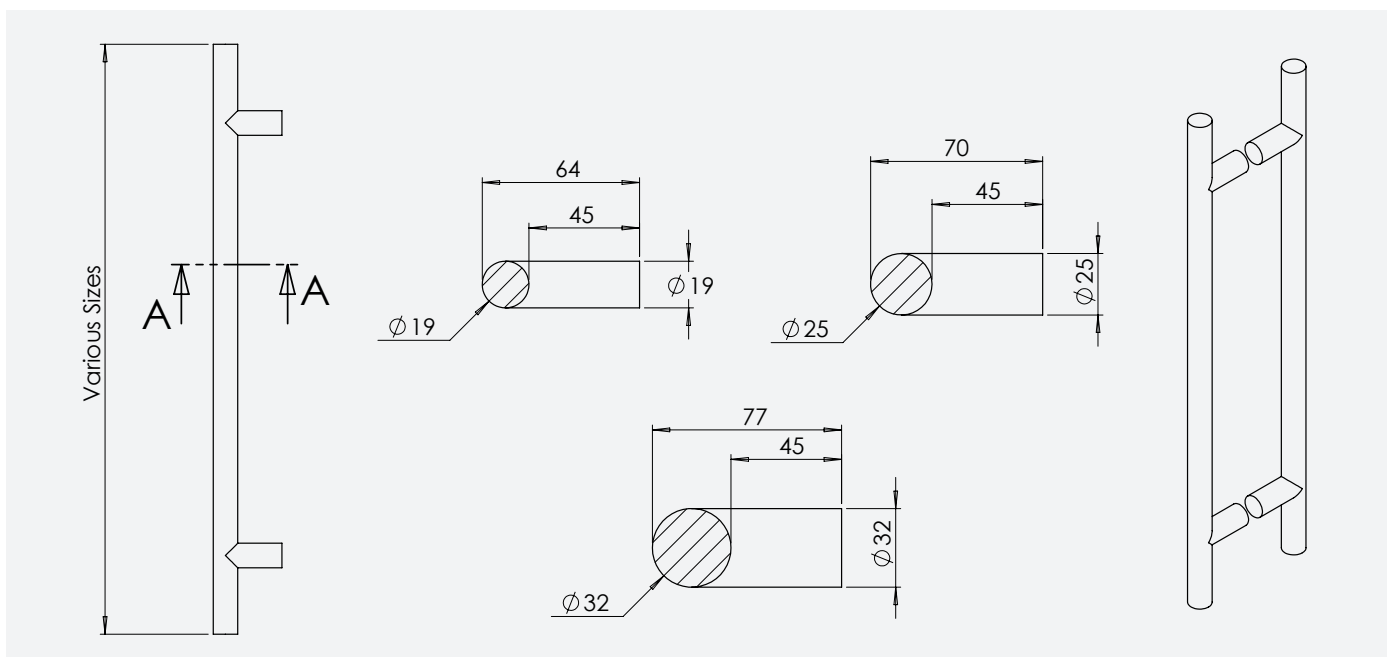
Material Size	Bolt Size
14mm Ø	5mm
16mm Ø	5mm
19mm Ø	8mm
25mm Ø	8mm
32mm Ø	8mm

## METAL DOOR FIXING

Material Size	Bolt Size
14mm Ø	5mm
16mm Ø	5mm
19mm Ø	8mm
25mm Ø	8mm
25mm Ø	8mm

## GLASS DOOR FIXING

Material Size	Bolt Size
14mm Ø	12mm Ø
16mm Ø	12mm Ø
19mm Ø	12mm Ø
25mm Ø	12mm Ø
32mm Ø	12mm Ø



# Ordering details

Item	Article Number	Description	Diameter	Length	Fixing Centres
<b>BACK TO BACK FIXING</b>					
<b>Note: 6200 Series in 19mm &amp; 25mm diameter requires a centre standoff for lengths 1900mm and over</b>					
B6200/A/19/PSS	9457209743102	B6200/A/19 OA 2400 CTC 2240 PSS	19mm	2400mm	2240mm
B6200/A/19/SSS	9457209743101	B6200/A/19 OA 2400 CTC 2240 SSS	19mm	2400mm	2240mm
B6200/A/25/PSS	9457209744102	B6200/A/25 OA 2400 CTC 2240 PSS	25mm	2400mm	2240mm
B6200/A/25/SSS	9457209744101	B6200/A/25 OA 2400 CTC 2240 SSS	25mm	2400mm	2240mm
B6200/A/32/PSS	9457209745102	B6200/A/32 OA 2400 CTC 2240 PSS	32mm	2400mm	2240mm
B6200/A/32/SSS	9457209745101	B6200/A/32 OA 2400 CTC 2240 SSS	32mm	2400mm	2240mm
B6200/B/19/PSS	9457209623102	B6200/B/19 OA 2300 CTC 2140 PSS	19mm	2300mm	2140mm
B6200/B/19/SSS	9457209623101	B6200/B/19 OA 2300 CTC 2140 SSS	19mm	2300mm	2140mm
B6200/B/25/PSS	9457209624102	B6200/B/25 OA 2300 CTC 2140 PSS	25mm	2300mm	2140mm
B6200/B/25/SSS	9457209624101	B6200/B/25 OA 2300 CTC 2140 SSS	25mm	2300mm	2140mm
B6200/B/32/PSS	9457209625102	B6200/B/32 OA 2300 CTC 2140 PSS	32mm	2300mm	2140mm
B6200/B/32/SSS	9457209625101	B6200/B/32 OA 2300 CTC 2140 SSS	32mm	2300mm	2140mm
B6200/C/19/PSS	9457209503102	B6200/C/19 OA 2200 CTC 2040 PSS	19mm	2200mm	2040mm
B6200/C/19/SSS	9457209503101	B6200/C/19 OA 2200 CTC 2040 SSS	19mm	2200mm	2040mm
B6200/C/25/PSS	9457209504102	B6200/C/25 OA 2200 CTC 2040 PSS	25mm	2200mm	2040mm
B6200/C/25/SSS	9457209504101	B6200/C/25 OA 2200 CTC 2040 SSS	25mm	2200mm	2040mm
B6200/C/32/PSS	9457209505102	B6200/C/32 OA 2200 CTC 2040 PSS	32mm	2200mm	2040mm
B6200/C/32/SSS	9457209505101	B6200/C/32 OA 2200 CTC 2040 SSS	32mm	2200mm	2040mm
B6200/D/19/PSS	9457209323102	B6200/D/19 OA 2100 CTC 1940 PSS	19mm	2100mm	1940mm
B6200/D/19/SSS	9457209323101	B6200/D/19 OA 2100 CTC 1940 SSS	19mm	2100mm	1940mm
B6200/D/25/PSS	9457209324102	B6200/D/25 OA 2100 CTC 1940 PSS	25mm	2100mm	1940mm
B6200/D/25/SSS	9457209324101	B6200/D/25 OA 2100 CTC 1940 SSS	25mm	2100mm	1940mm
B6200/D/32/PSS	9457209325102	B6200/D/32 OA 2100 CTC 1940 PSS	32mm	2100mm	1940mm
B6200/D/32/SSS	9457209325101	B6200/D/32 OA 2100 CTC 1940 SSS	32mm	2100mm	1940mm
B6200/E/19/PSS	9457209143102	B6200/E/19 OA 2000 CTC 1840 PSS	19mm	2000mm	1840mm
B6200/E/19/SSS	9457209143101	B6200/E/19 OA 2000 CTC 1840 SSS	19mm	2000mm	1840mm
B6200/E/25/PSS	9457209144102	B6200/E/25 OA 2000 CTC 1840 PSS	25mm	2000mm	1840mm
B6200/E/25/SSS	9457209144101	B6200/E/25 OA 2000 CTC 1840 SSS	25mm	2000mm	1840mm
B6200/E/32/PSS	9457209145102	B6200/E/32 OA 2000 CTC 1840 PSS	32mm	2000mm	1840mm
B6200/E/32/SSS	9457209145101	B6200/E/32 OA 2000 CTC 1840 SSS	32mm	2000mm	1840mm
B6200/F/19/PSS	9457208993102	B6200/F/19 OA 1900 CTC 1740 PSS	19mm	1900mm	1740mm
B6200/F/19/SSS	9457208993101	B6200/F/19 OA 1900 CTC 1740 SSS	19mm	1900mm	1740mm
B6200/F/25/PSS	9457208994102	B6200/F/25 OA 1900 CTC 1740 PSS	25mm	1900mm	1740mm
B6200/F/25/SSS	9457208994101	B6200/F/25 OA 1900 CTC 1740 SSS	25mm	1900mm	1740mm
B6200/F/32/PSS	9457208995102	B6200/F/32 OA 1900 CTC 1740 PSS	32mm	1900mm	1740mm
B6200/F/32/SSS	9457208995101	B6200/F/32 OA 1900 CTC 1740 SSS	32mm	1900mm	1740mm
B6200/G/19/PSS	9457208813102	B6200/G/19 OA 1800 CTC 1640 PSS	19mm	1800mm	1640mm
B6200/G/19/SSS	9457208813101	B6200/G/19 OA 1800 CTC 1640 SSS	19mm	1800mm	1640mm

# Ordering details

Item	Article Number	Description	Diameter	Length	Fixing Centres
B6200/G/25/PSS	9457208814102	B6200/G/25 OA 1800 CTC 1640 PSS	25mm	1800mm	1640mm
B6200/G/25/SSS	9457208814101	B6200/G/25 OA 1800 CTC 1640 SSS	25mm	1800mm	1640mm
B6200/G/32/PSS	9457208815102	B6200/G/32 OA 1800 CTC 1640 PSS	32mm	1800mm	1640mm
B6200/G/32/SSS	9457208815101	B6200/G/32 OA 1800 CTC 1640 SSS	32mm	1800mm	1640mm
B6200/H/19/PSS	9457208603102	B6200/H/19 OA 1700 CTC 1540 PSS	19mm	1700mm	1540mm
B6200/H/19/SSS	9457208603101	B6200/H/19 OA 1700 CTC 1540 SSS	19mm	1700mm	1540mm
B6200/H/25/PSS	9457208604102	B6200/H/25 OA 1700 CTC 1540 PSS	25mm	1700mm	1540mm
B6200/H/25/SSS	9457208604101	B6200/H/25 OA 1700 CTC 1540 SSS	25mm	1700mm	1540mm
B6200/H/32/PSS	9457208605102	B6200/H/32 OA 1700 CTC 1540 PSS	32mm	1700mm	1540mm
B6200/H/32/SSS	9457208605101	B6200/H/32 OA 1700 CTC 1540 SSS	32mm	1700mm	1540mm
B6200/I/19/PSS	9457208273102	B6200/I/19 OA 1600 CTC 1440 PSS	19mm	1600mm	1440mm
B6200/I/19/SSS	9457208273101	B6200/I/19 OA 1600 CTC 1440 SSS	19mm	1600mm	1440mm
B6200/I/25/PSS	9457208274102	B6200/I/25 OA 1600 CTC 1440 PSS	25mm	1600mm	1440mm
B6200/I/25/SSS	9457208274101	B6200/I/25 OA 1600 CTC 1440 SSS	25mm	1600mm	1440mm
B6200/I/32/PSS	9457208275102	B6200/I/32 OA 1600 CTC 1440 PSS	32mm	1600mm	1440mm
B6200/I/32/SSS	9457208275101	B6200/I/32 OA 1600 CTC 1440 SSS	32mm	1600mm	1440mm
B6200/J/19/PSS	9457207943102	B6200/J/19 OA 1500 CTC 1340 PSS	19mm	1500mm	1340mm
B6200/J/19/SSS	9457207943101	B6200/J/19 OA 1500 CTC 1340 SSS	19mm	1500mm	1340mm
B6200/J/25/PSS	9457207944102	B6200/J/25 OA 1500 CTC 1340 PSS	25mm	1500mm	1340mm
B6200/J/25/SSS	9457207944101	B6200/J/25 OA 1500 CTC 1340 SSS	25mm	1500mm	1340mm
B6200/J/32/PSS	9457207945102	B6200/J/32 OA 1500 CTC 1340 PSS	32mm	1500mm	1340mm
B6200/J/32/SSS	9457207945101	B6200/J/32 OA 1500 CTC 1340 SSS	32mm	1500mm	1340mm
B6200/K/19/PSS	9457207613102	B6200/K/19 OA 1400 CTC 1240 PSS	19mm	1400mm	1240mm
B6200/K/19/SSS	9457207613101	B6200/K/19 OA 1400 CTC 1240 SSS	19mm	1400mm	1240mm
B6200/K/25/PSS	9457207614102	B6200/K/25 OA 1400 CTC 1240 PSS	25mm	1400mm	1240mm
B6200/K/25/SSS	9457207614101	B6200/K/25 OA 1400 CTC 1240 SSS	25mm	1400mm	1240mm
B6200/K/32/PSS	9457207615102	B6200/K/32 OA 1400 CTC 1240 PSS	32mm	1400mm	1240mm
B6200/K/32/SSS	9457207615101	B6200/K/32 OA 1400 CTC 1240 SSS	32mm	1400mm	1240mm
B6200/L/19/PSS	9457207223102	B6200/L/19 OA 1300 CTC 1140 PSS	19mm	1300mm	1140mm
B6200/L/19/SSS	9457207223101	B6200/L/19 OA 1300 CTC 1140 SSS	19mm	1300mm	1140mm
B6200/L/25/PSS	9457207224102	B6200/L/25 OA 1300 CTC 1140 PSS	25mm	1300mm	1140mm
B6200/L/25/SSS	9457207224101	B6200/L/25 OA 1300 CTC 1140 SSS	25mm	1300mm	1140mm
B6200/L/32/PSS	9457207225102	B6200/L/32 OA 1300 CTC 1140 PSS	32mm	1300mm	1140mm
B6200/L/32/SSS	9457207225101	B6200/L/32 OA 1300 CTC 1140 SSS	32mm	1300mm	1140mm
B6200/M/19/PSS	9457206893102	B6200/M/19 OA 1200 CTC 1040 PSS	19mm	1200mm	1040mm
B6200/M/19/SSS	9457206893101	B6200/M/19 OA 1200 CTC 1040 SSS	19mm	1200mm	1040mm
B6200/M/25/PSS	9457206894102	B6200/M/25 OA 1200 CTC 1040 PSS	25mm	1200mm	1040mm
B6200/M/25/SSS	9457206894101	B6200/M/25 OA 1200 CTC 1040 SSS	25mm	1200mm	1040mm
B6200/M/32/PSS	9457206895102	B6200/M/32 OA 1200 CTC 1040 PSS	32mm	1200mm	1040mm
B6200/M/32/SSS	9457206895101	B6200/M/32 OA 1200 CTC 1040 SSS	32mm	1200mm	1040mm

# Ordering details

Item	Article Number	Description	Diameter	Length	Fixing Centres
B6200/N/19/PSS	9457206473102	B6200/N/19 OA 1100 CTC 940 PSS	19mm	1100mm	940mm
B6200/N/19/SSS	9457206473101	B6200/N/19 OA 1100 CTC 940 SSS	19mm	1100mm	940mm
B6200/N/25/PSS	9457206474102	B6200/N/25 OA 1100 CTC 940 PSS	25mm	1100mm	940mm
B6200/N/25/SSS	9457206474101	B6200/N/25 OA 1100 CTC 940 SSS	25mm	1100mm	940mm
B6200/N/32/PSS	9457206475102	B6200/N/32 OA 1100 CTC 940 PSS	32mm	1100mm	940mm
B6200/N/32/SSS	9457206475101	B6200/N/32 OA 1100 CTC 940 SSS	32mm	1100mm	940mm
B6200/O/19/PSS	9457206083102	B6200/O/19 OA 1000 CTC 840 PSS	19mm	1000mm	840mm
B6200/O/19/SSS	9457206083101	B6200/O/19 OA 1000 CTC 840 SSS	19mm	1000mm	840mm
B6200/O/25/PSS	9457206084102	B6200/O/25 OA 1000 CTC 840 PSS	25mm	1000mm	840mm
B6200/O/25/SSS	9457206084101	B6200/O/25 OA 1000 CTC 840 SSS	25mm	1000mm	840mm
B6200/O/32/PSS	9457206085102	B6200/O/32 OA 1000 CTC 840 PSS	32mm	1000mm	840mm
B6200/O/32/SSS	9457206085101	B6200/O/32 OA 1000 CTC 840 SSS	32mm	1000mm	840mm
B6200/P/19/PSS	9457205513102	B6200/P/19 OA 900 CTC 740 PSS	19mm	900mm	740mm
B6200/P/19/SSS	9457205513101	B6200/P/19 OA 900 CTC 740 SSS	19mm	900mm	740mm
B6200/P/25/PSS	9457205514102	B6200/P/25 OA 900 CTC 740 PSS	25mm	900mm	740mm
B6200/P/25/SSS	9457205514101	B6200/P/25 OA 900 CTC 740 SSS	25mm	900mm	740mm
B6200/P/32/PSS	9457205515102	B6200/P/32 OA 900 CTC 740 PSS	32mm	900mm	740mm
B6200/P/32/SSS	9457205515101	B6200/P/32 OA 900 CTC 740 SSS	32mm	900mm	740mm
B6200/Q/19/PSS	9457205063102	B6200/Q/19 OA 800 CTC 640 PSS	19mm	800mm	640mm
B6200/Q/19/SSS	9457205063101	B6200/Q/19 OA 800 CTC 640 SSS	19mm	800mm	640mm
B6200/Q/25/PSS	9457205064102	B6200/Q/25 OA 800 CTC 640 PSS	25mm	800mm	640mm
B6200/Q/25/SSS	9457205064101	B6200/Q/25 OA 800 CTC 640 SSS	25mm	800mm	640mm
B6200/Q/32/PSS	9457205065102	B6200/Q/32 OA 800 CTC 640 PSS	32mm	800mm	640mm
B6200/Q/32/SSS	9457205065101	B6200/Q/32 OA 800 CTC 640 SSS	32mm	800mm	640mm
B6200/R/19/PSS	9457204583102	B6200/R/19 OA 700 CTC 540 PSS	19mm	700mm	540mm
B6200/R/19/SSS	9457204583101	B6200/R/19 OA 700 CTC 540 SSS	19mm	700mm	540mm
B6200/R/25/PSS	9457204584102	B6200/R/25 OA 700 CTC 540 PSS	25mm	700mm	540mm
B6200/R/25/SSS	9457204584101	B6200/R/25 OA 700 CTC 540 SSS	25mm	700mm	540mm
B6200/R/32/PSS	9457204585102	B6200/R/32 OA 700 CTC 540 PSS	32mm	700mm	540mm
B6200/R/32/SSS	9457204585101	B6200/R/32 OA 700 CTC 540 SSS	32mm	700mm	540mm
B6200/S/19/PSS	9457203893102	B6200/S/19 OA 600 CTC 440 PSS	19mm	600mm	440mm
B6200/S/19/SSS	9457203893101	B6200/S/19 OA 600 CTC 440 SSS	19mm	600mm	440mm
B6200/S/25/PSS	9457203894102	B6200/S/25 OA 600 CTC 440 PSS	25mm	600mm	440mm
B6200/S/25/SSS	9457203894101	B6200/S/25 OA 600 CTC 440 SSS	25mm	600mm	440mm
B6200/S/32/PSS	9457203895102	B6200/S/32 OA 600 CTC 440 PSS	32mm	600mm	440mm
B6200/S/32/SSS	9457203895101	B6200/S/32 OA 600 CTC 440 SSS	32mm	600mm	440mm
B6200/T/19/PSS	9457203203102	B6200/T/19 OA 500 CTC 340 PSS	19mm	500mm	340mm
B6200/T/19/SSS	9457203203101	B6200/T/19 OA 500 CTC 340 SSS	19mm	500mm	340mm
B6200/T/25/PSS	9457203204102	B6200/T/25 OA 500 CTC 340 PSS	25mm	500mm	340mm
B6200/T/25/SSS	9457203204101	B6200/T/25 OA 500 CTC 340 SSS	25mm	500mm	340mm

# Ordering details

Item	Article Number	Description	Diameter	Length	Fixing Centres
B6200/T/32/PSS	9457203205102	B6200/T/32 OA 500 CTC 340 PSS	32mm	500mm	340mm
B6200/T/32/SSS	9457203205101	B6200/T/32 OA 500 CTC 340 SSS	32mm	500mm	340mm
B6200/U/19/PSS	9457202483102	B6200/U/19 OA 400 CTC 240 PSS	19mm	400mm	240mm
B6200/U/19/SSS	9457202483101	B6200/U/19 OA 400 CTC 240 SSS	19mm	400mm	240mm
B6200/U/25/PSS	9457202484102	B6200/U/25 OA 400 CTC 240 PSS	25mm	400mm	240mm
B6200/U/25/SSS	9457202484101	B6200/U/25 OA 400 CTC 240 SSS	25mm	400mm	240mm
B6200/U/32/PSS	9457202485102	B6200/U/32 OA 400 CTC 240 PSS	32mm	400mm	240mm
B6200/U/32/SSS	9457202485101	B6200/U/32 OA 400 CTC 240 SSS	32mm	400mm	240mm

## ACCESSORIES - EXTENDED FIXINGS - sold as a pair

TM/M8/50	9459508058200	M8/50 FERULE HEAD BOLT TM FIX	<p><b>Note: When ordering extended fixings please use the below formula.</b></p> <p>Door thickness + 20mm for the Ferule + 10mm in to the other handle = round up to the nearest size offered.</p>
TM/M8/75	9459758078200	M8/75 FERULE HEAD BOLT TM FIX	
TM/M8/90	9400000012887	M8/90 BOLT & 16MM FERULE TM FIX	
TM/M8/100	9400000012888	M8/100 BOLT & 16MM FERULE TM FIX	
TM/M8/110	9459118118200	M8/110 BOLT & 16MM FERULE TM FIX	
TM/M8/120	9459128128200	M8/120 BOLT & 16MM FERULE TM FIX	
TM/M8/130	9459138138200	M8/130 BOLT & 16MM FERULE TM FIX	
TM/M8/150	9459158158200	M8/150 BOLT & 16MM FERULE TM FIX	

## ACCESSORIES - GLASS FIXINGS - sold as a pair

GF19/M8/50 RND	9459501988301	19 DIA RND GLASS FIXING PAIRS
GF25/M8/50 RND	9459502588301	25 DIA RND GLASS FIXING PAIRS
GF32/M8/50 RND	9459503288301	32 DIA RND GLASS FIXING PAIRS

## CONCEALED FIXING

			<b>Note: 6200 Series in 19mm &amp; 25mm diameter requires a centre standoff for lengths 1900mm and over</b>		
C6200/A/19/PSS	9457209743202	C6200/A/19 OA 2400 CTC 2240 PSS	19mm	2400mm	2240mm
C6200/A/19/SSS	9457209743201	C6200/A/19 OA 2400 CTC 2240 SSS	19mm	2400mm	2240mm
C6200/A/25/PSS	9457209744202	C6200/A/25 OA 2400 CTC 2240 PSS	25mm	2400mm	2240mm
C6200/A/25/SSS	9457209744201	C6200/A/25 OA 2400 CTC 2240 SSS	25mm	2400mm	2240mm
C6200/A/32/PSS	9457209745202	C6200/A/32 OA 2400 CTC 2240 PSS	32mm	2400mm	2240mm
C6200/A/32/SSS	9457209745201	C6200/A/32 OA 2400 CTC 2240 SSS	32mm	2400mm	2240mm
C6200/B/19/PSS	9457209623202	C6200/B/19 OA 2300 CTC 2140 PSS	19mm	2300mm	2140mm
C6200/B/19/SSS	9457209623201	C6200/B/19 OA 2300 CTC 2140 SSS	19mm	2300mm	2140mm
C6200/B/25/PSS	9457209624202	C6200/B/25 OA 2300 CTC 2140 PSS	25mm	2300mm	2140mm
C6200/B/25/SSS	9457209624201	C6200/B/25 OA 2300 CTC 2140 SSS	25mm	2300mm	2140mm
C6200/B/32/PSS	9457209625202	C6200/B/32 OA 2300 CTC 2140 PSS	32mm	2300mm	2140mm
C6200/B/32/SSS	9457209625201	C6200/B/32 OA 2300 CTC 2140 SSS	32mm	2300mm	2140mm
C6200/C/19/PSS	9457209503202	C6200/C/19 OA 2200 CTC 2040 PSS	19mm	2200mm	2040mm
C6200/C/19/SSS	9457209503201	C6200/C/19 OA 2200 CTC 2040 SSS	19mm	2200mm	2040mm
C6200/C/25/PSS	9457209504202	C6200/C/25 OA 2200 CTC 2040 PSS	25mm	2200mm	2040mm
C6200/C/25/SSS	9457209504201	C6200/C/25 OA 2200 CTC 2040 SSS	25mm	2200mm	2040mm

# Ordering details

Item	Article Number	Description	Diameter	Length	Fixing Centres
C6200/C/32/PSS	9457209505202	C6200/C/32 OA 2200 CTC 2040 PSS	32mm	2200mm	2040mm
C6200/C/32/SSS	9457209505201	C6200/C/32 OA 2200 CTC 2040 SSS	32mm	2200mm	2040mm
C6200/D/19/PSS	9457209323202	C6200/D/19 OA 2100 CTC 1940 PSS	19mm	2100mm	1940mm
C6200/D/19/SSS	9457209323201	C6200/D/19 OA 2100 CTC 1940 SSS	19mm	2100mm	1940mm
C6200/D/25/PSS	9457209324202	C6200/D/25 OA 2100 CTC 1940 PSS	25mm	2100mm	1940mm
C6200/D/25/SSS	9457209324201	C6200/D/25 OA 2100 CTC 1940 SSS	25mm	2100mm	1940mm
C6200/D/32/PSS	9457209325202	C6200/D/32 OA 2100 CTC 1940 PSS	32mm	2100mm	1940mm
C6200/D/32/SSS	9457209325201	C6200/D/32 OA 2100 CTC 1940 SSS	32mm	2100mm	1940mm
C6200/E/19/PSS	9457209143202	C6200/E/19 OA 2000 CTC 1840 PSS	19mm	2000mm	1840mm
C6200/E/19/SSS	9457209143201	C6200/E/19 OA 2000 CTC 1840 SSS	19mm	2000mm	1840mm
C6200/E/25/PSS	9457209144202	C6200/E/25 OA 2000 CTC 1840 PSS	25mm	2000mm	1840mm
C6200/E/25/SSS	9457209144201	C6200/E/25 OA 2000 CTC 1840 SSS	25mm	2000mm	1840mm
C6200/E/32/PSS	9457209145202	C6200/E/32 OA 2000 CTC 1840 PSS	32mm	2000mm	1840mm
C6200/E/32/SSS	9457209145201	C6200/E/32 OA 2000 CTC 1840 SSS	32mm	2000mm	1840mm
C6200/F/19/PSS	9457208993202	C6200/F/19 OA 1900 CTC 1740 PSS	19mm	1900mm	1740mm
C6200/F/19/SSS	9457208993201	C6200/F/19 OA 1900 CTC 1740 SSS	19mm	1900mm	1740mm
C6200/F/25/PSS	9457208994202	C6200/F/25 OA 1900 CTC 1740 PSS	25mm	1900mm	1740mm
C6200/F/25/SSS	9457208994201	C6200/F/25 OA 1900 CTC 1740 SSS	25mm	1900mm	1740mm
C6200/F/32/PSS	9457208995202	C6200/F/32 OA 1900 CTC 1740 PSS	32mm	1900mm	1740mm
C6200/F/32/SSS	9457208995201	C6200/F/32 OA 1900 CTC 1740 SSS	32mm	1900mm	1740mm
C6200/G/19/PSS	9457208813202	C6200/G/19 OA 1800 CTC 1640 PSS	19mm	1800mm	1640mm
C6200/G/19/SSS	9457208813201	C6200/G/19 OA 1800 CTC 1640 SSS	19mm	1800mm	1640mm
C6200/G/25/PSS	9457208814202	C6200/G/25 OA 1800 CTC 1640 PSS	25mm	1800mm	1640mm
C6200/G/25/SSS	9457208814201	C6200/G/25 OA 1800 CTC 1640 SSS	25mm	1800mm	1640mm
C6200/G/32/PSS	9457208815202	C6200/G/32 OA 1800 CTC 1640 PSS	32mm	1800mm	1640mm
C6200/G/32/SSS	9457208815201	C6200/G/32 OA 1800 CTC 1640 SSS	32mm	1800mm	1640mm
C6200/H/19/PSS	9457208603202	C6200/H/19 OA 1700 CTC 1540 PSS	19mm	1700mm	1540mm
C6200/H/19/SSS	9457208603201	C6200/H/19 OA 1700 CTC 1540 SSS	19mm	1700mm	1540mm
C6200/H/25/PSS	9457208604202	C6200/H/25 OA 1700 CTC 1540 PSS	25mm	1700mm	1540mm
C6200/H/25/SSS	9457208604201	C6200/H/25 OA 1700 CTC 1540 SSS	25mm	1700mm	1540mm
C6200/H/32/PSS	9457208605202	C6200/H/32 OA 1700 CTC 1540 PSS	32mm	1700mm	1540mm
C6200/H/32/SSS	9457208605201	C6200/H/32 OA 1700 CTC 1540 SSS	32mm	1700mm	1540mm
C6200/I/19/PSS	9457208273202	C6200/I/19 OA 1600 CTC 1440 PSS	19mm	1600mm	1440mm
C6200/I/19/SSS	9457208273201	C6200/I/19 OA 1600 CTC 1440 SSS	19mm	1600mm	1440mm
C6200/I/25/PSS	9457208274202	C6200/I/25 OA 1600 CTC 1440 PSS	25mm	1600mm	1440mm
C6200/I/25/SSS	9457208274201	C6200/I/25 OA 1600 CTC 1440 SSS	25mm	1600mm	1440mm
C6200/I/32/PSS	9457208275202	C6200/I/32 OA 1600 CTC 1440 PSS	32mm	1600mm	1440mm
C6200/I/32/SSS	9457208275201	C6200/I/32 OA 1600 CTC 1440 SSS	32mm	1600mm	1440mm
C6200/J/19/PSS	9457207943202	C6200/J/19 OA 1500 CTC 1340 PSS	19mm	1500mm	1340mm
C6200/J/19/SSS	9457207943201	C6200/J/19 OA 1500 CTC 1340 SSS	19mm	1500mm	1340mm

# Ordering details

Item	Article Number	Description	Diameter	Length	Fixing Centres
C6200/J/25/PSS	9457207944202	C6200/J/25 OA 1500 CTC 1340 PSS	25mm	1500mm	1340mm
C6200/J/25/SSS	9457207944201	C6200/J/25 OA 1500 CTC 1340 SSS	25mm	1500mm	1340mm
C6200/J/32/PSS	9457207945202	C6200/J/32 OA 1500 CTC 1340 PSS	32mm	1500mm	1340mm
C6200/J/32/SSS	9457207945201	C6200/J/32 OA 1500 CTC 1340 SSS	32mm	1500mm	1340mm
C6200/K/19/PSS	9457207613202	C6200/K/19 OA 1400 CTC 1240 PSS	19mm	1400mm	1240mm
C6200/K/19/SSS	9457207613201	C6200/K/19 OA 1400 CTC 1240 SSS	19mm	1400mm	1240mm
C6200/K/25/PSS	9457207614202	C6200/K/25 OA 1400 CTC 1240 PSS	25mm	1400mm	1240mm
C6200/K/25/SSS	9457207614201	C6200/K/25 OA 1400 CTC 1240 SSS	25mm	1400mm	1240mm
C6200/K/32/PSS	9457207615202	C6200/K/32 OA 1400 CTC 1240 PSS	32mm	1400mm	1240mm
C6200/K/32/SSS	9457207615201	C6200/K/32 OA 1400 CTC 1240 SSS	32mm	1400mm	1240mm
C6200/L/19/PSS	9457207223202	C6200/L/19 OA 1300 CTC 1140 PSS	19mm	1300mm	1140mm
C6200/L/19/SSS	9457207223201	C6200/L/19 OA 1300 CTC 1140 SSS	19mm	1300mm	1140mm
C6200/L/25/PSS	9457207224202	C6200/L/25 OA 1300 CTC 1140 PSS	25mm	1300mm	1140mm
C6200/L/25/SSS	9457207224201	C6200/L/25 OA 1300 CTC 1140 SSS	25mm	1300mm	1140mm
C6200/L/32/PSS	9457207225202	C6200/L/32 OA 1300 CTC 1140 PSS	32mm	1300mm	1140mm
C6200/L/32/SSS	9457207225201	C6200/L/32 OA 1300 CTC 1140 SSS	32mm	1300mm	1140mm
C6200/M/19/PSS	9457206893202	C6200/M/19 OA 1200 CTC 1040 PSS	19mm	1200mm	1040mm
C6200/M/19/SSS	9457206893201	C6200/M/19 OA 1200 CTC 1040 SSS	19mm	1200mm	1040mm
C6200/M/25/PSS	9457206894202	C6200/M/25 OA 1200 CTC 1040 PSS	25mm	1200mm	1040mm
C6200/M/25/SSS	9457206894201	C6200/M/25 OA 1200 CTC 1040 SSS	25mm	1200mm	1040mm
C6200/M/32/PSS	9457206895202	C6200/M/32 OA 1200 CTC 1040 PSS	32mm	1200mm	1040mm
C6200/M/32/SSS	9457206895201	C6200/M/32 OA 1200 CTC 1040 SSS	32mm	1200mm	1040mm
C6200/N/19/PSS	9457206473202	C6200/N/19 OA 1100 CTC 940 PSS	19mm	1100mm	940mm
C6200/N/19/SSS	9457206473201	C6200/N/19 OA 1100 CTC 940 SSS	19mm	1100mm	940mm
C6200/N/25/PSS	9457206474202	C6200/N/25 OA 1100 CTC 940 PSS	25mm	1100mm	940mm
C6200/N/25/SSS	9457206474201	C6200/N/25 OA 1100 CTC 940 SSS	25mm	1100mm	940mm
C6200/N/32/PSS	9457206475202	C6200/N/32 OA 1100 CTC 940 PSS	32mm	1100mm	940mm
C6200/N/32/SSS	9457206475201	C6200/N/32 OA 1100 CTC 940 SSS	32mm	1100mm	940mm
C6200/O/19/PSS	9457206083202	C6200/O/19 OA 1000 CTC 840 PSS	19mm	1000mm	840mm
C6200/O/19/SSS	9457206083201	C6200/O/19 OA 1000 CTC 840 SSS	19mm	1000mm	840mm
C6200/O/25/PSS	9457206084202	C6200/O/25 OA 1000 CTC 840 PSS	25mm	1000mm	840mm
C6200/O/25/SSS	9457206084201	C6200/O/25 OA 1000 CTC 840 SSS	25mm	1000mm	840mm
C6200/O/32/PSS	9457206085202	C6200/O/32 OA 1000 CTC 840 PSS	32mm	1000mm	840mm
C6200/O/32/SSS	9457206085201	C6200/O/32 OA 1000 CTC 840 SSS	32mm	1000mm	840mm
C6200/P/19/PSS	9457205513202	C6200/P/19 OA 900 CTC 740 PSS	19mm	900mm	740mm
C6200/P/19/SSS	9457205513201	C6200/P/19 OA 900 CTC 740 SSS	19mm	900mm	740mm
C6200/P/25/PSS	9457205514202	C6200/P/25 OA 900 CTC 740 PSS	25mm	900mm	740mm
C6200/P/25/SSS	9457205514201	C6200/P/25 OA 900 CTC 740 SSS	25mm	900mm	740mm
C6200/P/32/PSS	9457205515202	C6200/P/32 OA 900 CTC 740 PSS	32mm	900mm	740mm
C6200/P/32/SSS	9457205515201	C6200/P/32 OA 900 CTC 740 SSS	32mm	900mm	740mm



# Ordering details

Item	Article Number	Description	Diameter	Length	Fixing Centres
C6200/Q/19/PSS	9457205063202	C6200/Q/19 OA 800 CTC 640 PSS	19mm	800mm	640mm
C6200/Q/19/SSS	9457205063201	C6200/Q/19 OA 800 CTC 640 SSS	19mm	800mm	640mm
C6200/Q/25/PSS	9457205064202	C6200/Q/25 OA 800 CTC 640 PSS	25mm	800mm	640mm
C6200/Q/25/SSS	9457205064201	C6200/Q/25 OA 800 CTC 640 SSS	25mm	800mm	640mm
C6200/Q/32/PSS	9457205065202	C6200/Q/32 OA 800 CTC 640 PSS	32mm	800mm	640mm
C6200/Q/32/SSS	9457205065201	C6200/Q/32 OA 800 CTC 640 SSS	32mm	800mm	640mm
C6200/R/19/PSS	9457204583202	C6200/R/19 OA 700 CTC 540 PSS	19mm	700mm	540mm
C6200/R/19/SSS	9457204583201	C6200/R/19 OA 700 CTC 540 SSS	19mm	700mm	540mm
C6200/R/25/PSS	9457204584202	C6200/R/25 OA 700 CTC 540 PSS	25mm	700mm	540mm
C6200/R/25/SSS	9457204584201	C6200/R/25 OA 700 CTC 540 SSS	25mm	700mm	540mm
C6200/R/32/PSS	9457204585202	C6200/R/32 OA 700 CTC 540 PSS	32mm	700mm	540mm
C6200/R/32/SSS	9457204585201	C6200/R/32 OA 700 CTC 540 SSS	32mm	700mm	540mm
C6200/S/19/PSS	9457203893202	C6200/S/19 OA 600 CTC 440 PSS	19mm	600mm	440mm
C6200/S/19/SSS	9457203893201	C6200/S/19 OA 600 CTC 440 SSS	19mm	600mm	440mm
C6200/S/25/PSS	9457203894202	C6200/S/25 OA 600 CTC 440 PSS	25mm	600mm	440mm
C6200/S/25/SSS	9457203894201	C6200/S/25 OA 600 CTC 440 SSS	25mm	600mm	440mm
C6200/S/32/PSS	9457203895202	C6200/S/32 OA 600 CTC 440 PSS	32mm	600mm	440mm
C6200/S/32/SSS	9457203895201	C6200/S/32 OA 600 CTC 440 SSS	32mm	600mm	440mm
C6200/T/19/PSS	9457203203202	C6200/T/19 OA 500 CTC 340 PSS	19mm	500mm	340mm
C6200/T/19/SSS	9457203203201	C6200/T/19 OA 500 CTC 340 SSS	19mm	500mm	340mm
C6200/T/25/PSS	9457203204202	C6200/T/25 OA 500 CTC 340 PSS	25mm	500mm	340mm
C6200/T/25/SSS	9457203204201	C6200/T/25 OA 500 CTC 340 SSS	25mm	500mm	340mm
C6200/T/32/PSS	9457203205202	C6200/T/32 OA 500 CTC 340 PSS	32mm	500mm	340mm
C6200/T/32/SSS	9457203205201	C6200/T/32 OA 500 CTC 340 SSS	32mm	500mm	340mm
C6200/U/19/PSS	9457202483202	C6200/U/19 OA 400 CTC 240 PSS	19mm	400mm	240mm
C6200/U/19/SSS	9457202483201	C6200/U/19 OA 400 CTC 240 SSS	19mm	400mm	240mm
C6200/U/25/PSS	9457202484202	C6200/U/25 OA 400 CTC 240 PSS	25mm	400mm	240mm
C6200/U/25/SSS	9457202484201	C6200/U/25 OA 400 CTC 240 SSS	25mm	400mm	240mm
C6200/U/32/PSS	9457202485202	C6200/U/32 OA 400 CTC 240 PSS	32mm	400mm	240mm
C6200/U/32/SSS	9457202485201	C6200/U/32 OA 400 CTC 240 SSS	32mm	400mm	240mm

# Ordering details

Item	Article Number	Description	Diameter	Length	Fixing Centres
<b>DISC FIXING</b>					
<b>Note: 6200 Series in 19mm &amp; 25mm diameter requires a centre standoff for lengths 1900mm and over</b>					
D6200/A/19/PSS	9457209743302	D6200/A/19 OA 2400 CTC 2240 PSS	19mm	2400mm	2240mm
D6200/A/19/SSS	9457209743301	D6200/A/19 OA 2400 CTC 2240 SSS	19mm	2400mm	2240mm
D6200/A/25/PSS	9457209744302	D6200/A/25 OA 2400 CTC 2240 PSS	25mm	2400mm	2240mm
D6200/A/25/SSS	9457209744301	D6200/A/25 OA 2400 CTC 2240 SSS	25mm	2400mm	2240mm
D6200/A/32/PSS	9457209745302	D6200/A/32 OA 2400 CTC 2240 PSS	32mm	2400mm	2240mm
D6200/A/32/SSS	9457209745301	D6200/A/32 OA 2400 CTC 2240 SSS	32mm	2400mm	2240mm
D6200/B/19/PSS	9457209623302	D6200/B/19 OA 2300 CTC 2140 PSS	19mm	2300mm	2140mm
D6200/B/19/SSS	9457209623301	D6200/B/19 OA 2300 CTC 2140 SSS	19mm	2300mm	2140mm
D6200/B/25/PSS	9457209624302	D6200/B/25 OA 2300 CTC 2140 PSS	25mm	2300mm	2140mm
D6200/B/25/SSS	9457209624301	D6200/B/25 OA 2300 CTC 2140 SSS	25mm	2300mm	2140mm
D6200/B/32/PSS	9457209625302	D6200/B/32 OA 2300 CTC 2140 PSS	32mm	2300mm	2140mm
D6200/B/32/SSS	9457209625301	D6200/B/32 OA 2300 CTC 2140 SSS	32mm	2300mm	2140mm
D6200/C/19/PSS	9457209503302	D6200/C/19 OA 2200 CTC 2040 PSS	19mm	2200mm	2040mm
D6200/C/19/SSS	9457209503301	D6200/C/19 OA 2200 CTC 2040 SSS	19mm	2200mm	2040mm
D6200/C/25/PSS	9457209504302	D6200/C/25 OA 2200 CTC 2040 PSS	25mm	2200mm	2040mm
D6200/C/25/SSS	9457209504301	D6200/C/25 OA 2200 CTC 2040 SSS	25mm	2200mm	2040mm
D6200/C/32/PSS	9457209505302	D6200/C/32 OA 2200 CTC 2040 PSS	32mm	2200mm	2040mm
D6200/C/32/SSS	9457209505301	D6200/C/32 OA 2200 CTC 2040 SSS	32mm	2200mm	2040mm
D6200/D/19/PSS	9457209323302	D6200/D/19 OA 2100 CTC 1940 PSS	19mm	2100mm	1940mm
D6200/D/19/SSS	9457209323301	D6200/D/19 OA 2100 CTC 1940 SSS	19mm	2100mm	1940mm
D6200/D/25/PSS	9457209324302	D6200/D/25 OA 2100 CTC 1940 PSS	25mm	2100mm	1940mm
D6200/D/25/SSS	9457209324301	D6200/D/25 OA 2100 CTC 1940 SSS	25mm	2100mm	1940mm
D6200/D/32/PSS	9457209325302	D6200/D/32 OA 2100 CTC 1940 PSS	32mm	2100mm	1940mm
D6200/D/32/SSS	9457209325301	D6200/D/32 OA 2100 CTC 1940 SSS	32mm	2100mm	1940mm
D6200/E/19/PSS	9457209143302	D6200/E/19 OA 2000 CTC 1840 PSS	19mm	2000mm	1840mm
D6200/E/19/SSS	9457209143301	D6200/E/19 OA 2000 CTC 1840 SSS	19mm	2000mm	1840mm
D6200/E/25/PSS	9457209144302	D6200/E/25 OA 2000 CTC 1840 PSS	25mm	2000mm	1840mm
D6200/E/25/SSS	9457209144301	D6200/E/25 OA 2000 CTC 1840 SSS	25mm	2000mm	1840mm
D6200/E/32/PSS	9457209145302	D6200/E/32 OA 2000 CTC 1840 PSS	32mm	2000mm	1840mm
D6200/E/32/SSS	9457209145301	D6200/E/32 OA 2000 CTC 1840 SSS	32mm	2000mm	1840mm
D6200/F/19/PSS	9457208993302	D6200/F/19 OA 1900 CTC 1740 PSS	19mm	1900mm	1740mm
D6200/F/19/SSS	9457208993301	D6200/F/19 OA 1900 CTC 1740 SSS	19mm	1900mm	1740mm
D6200/F/25/PSS	9457208994302	D6200/F/25 OA 1900 CTC 1740 PSS	25mm	1900mm	1740mm
D6200/F/25/SSS	9457208994301	D6200/F/25 OA 1900 CTC 1740 SSS	25mm	1900mm	1740mm
D6200/F/32/PSS	9457208995302	D6200/F/32 OA 1900 CTC 1740 PSS	32mm	1900mm	1740mm
D6200/F/32/SSS	9457208995301	D6200/F/32 OA 1900 CTC 1740 SSS	32mm	1900mm	1740mm
D6200/G/19/PSS	9457208813302	D6200/G/19 OA 1800 CTC 1640 PSS	19mm	1800mm	1640mm
D6200/G/19/SSS	9457208813301	D6200/G/19 OA 1800 CTC 1640 SSS	19mm	1800mm	1640mm

# Ordering details

Item	Article Number	Description	Diameter	Length	Fixing Centres
D6200/G/25/PSS	9457208814302	D6200/G/25 OA 1800 CTC 1640 PSS	25mm	1800mm	1640mm
D6200/G/25/SSS	9457208814301	D6200/G/25 OA 1800 CTC 1640 SSS	25mm	1800mm	1640mm
D6200/G/32/PSS	9457208815302	D6200/G/32 OA 1800 CTC 1640 PSS	32mm	1800mm	1640mm
D6200/G/32/SSS	9457208815301	D6200/G/32 OA 1800 CTC 1640 SSS	32mm	1800mm	1640mm
D6200/H/19/PSS	9457208603302	D6200/H/19 OA 1700 CTC 1540 PSS	19mm	1700mm	1540mm
D6200/H/19/SSS	9457208603301	D6200/H/19 OA 1700 CTC 1540 SSS	19mm	1700mm	1540mm
D6200/H/25/PSS	9457208604302	D6200/H/25 OA 1700 CTC 1540 PSS	25mm	1700mm	1540mm
D6200/H/25/SSS	9457208604301	D6200/H/25 OA 1700 CTC 1540 SSS	25mm	1700mm	1540mm
D6200/H/32/PSS	9457208605302	D6200/H/32 OA 1700 CTC 1540 PSS	32mm	1700mm	1540mm
D6200/H/32/SSS	9457208605301	D6200/H/32 OA 1700 CTC 1540 SSS	32mm	1700mm	1540mm
D6200/I/19/PSS	9457208273302	D6200/I/19 OA 1600 CTC 1440 PSS	19mm	1600mm	1440mm
D6200/I/19/SSS	9457208273301	D6200/I/19 OA 1600 CTC 1440 SSS	19mm	1600mm	1440mm
D6200/I/25/PSS	9457208274302	D6200/I/25 OA 1600 CTC 1440 PSS	25mm	1600mm	1440mm
D6200/I/25/SSS	9457208274301	D6200/I/25 OA 1600 CTC 1440 SSS	25mm	1600mm	1440mm
D6200/I/32/PSS	9457208275302	D6200/I/32 OA 1600 CTC 1440 PSS	32mm	1600mm	1440mm
D6200/I/32/SSS	9457208275301	D6200/I/32 OA 1600 CTC 1440 SSS	32mm	1600mm	1440mm
D6200/J/19/PSS	9457207943302	D6200/J/19 OA 1500 CTC 1340 PSS	19mm	1500mm	1340mm
D6200/J/19/SSS	9457207943301	D6200/J/19 OA 1500 CTC 1340 SSS	19mm	1500mm	1340mm
D6200/J/25/PSS	9457207944302	D6200/J/25 OA 1500 CTC 1340 PSS	25mm	1500mm	1340mm
D6200/J/25/SSS	9457207944301	D6200/J/25 OA 1500 CTC 1340 SSS	25mm	1500mm	1340mm
D6200/J/32/PSS	9457207945302	D6200/J/32 OA 1500 CTC 1340 PSS	32mm	1500mm	1340mm
D6200/J/32/SSS	9457207945301	D6200/J/32 OA 1500 CTC 1340 SSS	32mm	1500mm	1340mm
D6200/K/19/PSS	9457207613302	D6200/K/19 OA 1400 CTC 1240 PSS	19mm	1400mm	1240mm
D6200/K/19/SSS	9457207613301	D6200/K/19 OA 1400 CTC 1240 SSS	19mm	1400mm	1240mm
D6200/K/25/PSS	9457207614302	D6200/K/25 OA 1400 CTC 1240 PSS	25mm	1400mm	1240mm
D6200/K/25/SSS	9457207614301	D6200/K/25 OA 1400 CTC 1240 SSS	25mm	1400mm	1240mm
D6200/K/32/PSS	9457207615302	D6200/K/32 OA 1400 CTC 1240 PSS	32mm	1400mm	1240mm
D6200/K/32/SSS	9457207615301	D6200/K/32 OA 1400 CTC 1240 SSS	32mm	1400mm	1240mm
D6200/L/19/PSS	9457207223302	D6200/L/19 OA 1300 CTC 1140 PSS	19mm	1300mm	1140mm
D6200/L/19/SSS	9457207223301	D6200/L/19 OA 1300 CTC 1140 SSS	19mm	1300mm	1140mm
D6200/L/25/PSS	9457207224302	D6200/L/25 OA 1300 CTC 1140 PSS	25mm	1300mm	1140mm
D6200/L/25/SSS	9457207224301	D6200/L/25 OA 1300 CTC 1140 SSS	25mm	1300mm	1140mm
D6200/L/32/PSS	9457207225302	D6200/L/32 OA 1300 CTC 1140 PSS	32mm	1300mm	1140mm
D6200/L/32/SSS	9457207225301	D6200/L/32 OA 1300 CTC 1140 SSS	32mm	1300mm	1140mm
D6200/M/19/PSS	9457206893302	D6200/M/19 OA 1200 CTC 1040 PSS	19mm	1200mm	1040mm
D6200/M/19/SSS	9457206893301	D6200/M/19 OA 1200 CTC 1040 SSS	19mm	1200mm	1040mm
D6200/M/25/PSS	9457206894302	D6200/M/25 OA 1200 CTC 1040 PSS	25mm	1200mm	1040mm
D6200/M/25/SSS	9457206894301	D6200/M/25 OA 1200 CTC 1040 SSS	25mm	1200mm	1040mm
D6200/M/32/PSS	9457206895302	D6200/M/32 OA 1200 CTC 1040 PSS	32mm	1200mm	1040mm
D6200/M/32/SSS	9457206895301	D6200/M/32 OA 1200 CTC 1040 SSS	32mm	1200mm	1040mm

# Ordering details

Item	Article Number	Description	Diameter	Length	Fixing Centres
D6200/N/19/PSS	9457206473302	D6200/N/19 OA 1100 CTC 940 PSS	19mm	1100mm	940mm
D6200/N/19/SSS	9457206473301	D6200/N/19 OA 1100 CTC 940 SSS	19mm	1100mm	940mm
D6200/N/25/PSS	9457206474302	D6200/N/25 OA 1100 CTC 940 PSS	25mm	1100mm	940mm
D6200/N/25/SSS	9457206474301	D6200/N/25 OA 1100 CTC 940 SSS	25mm	1100mm	940mm
D6200/N/32/PSS	9457206475302	D6200/N/32 OA 1100 CTC 940 PSS	32mm	1100mm	940mm
D6200/N/32/SSS	9457206475301	D6200/N/32 OA 1100 CTC 940 SSS	32mm	1100mm	940mm
D6200/O/19/PSS	9457206083302	D6200/O/19 OA 1000 CTC 840 PSS	19mm	1000mm	840mm
D6200/O/19/SSS	9457206083301	D6200/O/19 OA 1000 CTC 840 SSS	19mm	1000mm	840mm
D6200/O/25/PSS	9457206084302	D6200/O/25 OA 1000 CTC 840 PSS	25mm	1000mm	840mm
D6200/O/25/SSS	9457206084301	D6200/O/25 OA 1000 CTC 840 SSS	25mm	1000mm	840mm
D6200/O/32/PSS	9457206085302	D6200/O/32 OA 1000 CTC 840 PSS	32mm	1000mm	840mm
D6200/O/32/SSS	9457206085301	D6200/O/32 OA 1000 CTC 840 SSS	32mm	1000mm	840mm
D6200/P/19/PSS	9457205513302	D6200/P/19 OA 900 CTC 740 PSS	19mm	900mm	740mm
D6200/P/19/SSS	9457205513301	D6200/P/19 OA 900 CTC 740 SSS	19mm	900mm	740mm
D6200/P/25/PSS	9457205514302	D6200/P/25 OA 900 CTC 740 PSS	25mm	900mm	740mm
D6200/P/25/SSS	9457205514301	D6200/P/25 OA 900 CTC 740 SSS	25mm	900mm	740mm
D6200/P/32/PSS	9457205515302	D6200/P/32 OA 900 CTC 740 PSS	32mm	900mm	740mm
D6200/P/32/SSS	9457205515301	D6200/P/32 OA 900 CTC 740 SSS	32mm	900mm	740mm
D6200/Q/19/PSS	9457205063302	D6200/Q/19 OA 800 CTC 640 PSS	19mm	800mm	640mm
D6200/Q/19/SSS	9457205063301	D6200/Q/19 OA 800 CTC 640 SSS	19mm	800mm	640mm
D6200/Q/25/PSS	9457205064302	D6200/Q/25 OA 800 CTC 640 PSS	25mm	800mm	640mm
D6200/Q/25/SSS	9457205064301	D6200/Q/25 OA 800 CTC 640 SSS	25mm	800mm	640mm
D6200/Q/32/PSS	9457205065302	D6200/Q/32 OA 800 CTC 640 PSS	32mm	800mm	640mm
D6200/Q/32/SSS	9457205065301	D6200/Q/32 OA 800 CTC 640 SSS	32mm	800mm	640mm
D6200/R/19/PSS	9457204583302	D6200/R/19 OA 700 CTC 540 PSS	19mm	700mm	540mm
D6200/R/19/SSS	9457204583301	D6200/R/19 OA 700 CTC 540 SSS	19mm	700mm	540mm
D6200/R/25/PSS	9457204584302	D6200/R/25 OA 700 CTC 540 PSS	25mm	700mm	540mm
D6200/R/25/SSS	9457204584301	D6200/R/25 OA 700 CTC 540 SSS	25mm	700mm	540mm
D6200/R/32/PSS	9457204585302	D6200/R/32 OA 700 CTC 540 PSS	32mm	700mm	540mm
D6200/R/32/SSS	9457204585301	D6200/R/32 OA 700 CTC 540 SSS	32mm	700mm	540mm
D6200/S/19/PSS	9457203893302	D6200/S/19 OA 600 CTC 440 PSS	19mm	600mm	440mm
D6200/S/19/SSS	9457203893301	D6200/S/19 OA 600 CTC 440 SSS	19mm	600mm	440mm
D6200/S/25/PSS	9457203894302	D6200/S/25 OA 600 CTC 440 PSS	25mm	600mm	440mm
D6200/S/25/SSS	9457203894301	D6200/S/25 OA 600 CTC 440 SSS	25mm	600mm	440mm
D6200/S/32/PSS	9457203895302	D6200/S/32 OA 600 CTC 440 PSS	32mm	600mm	440mm
D6200/S/32/SSS	9457203895301	D6200/S/32 OA 600 CTC 440 SSS	32mm	600mm	440mm
D6200/T/19/PSS	9457203203302	D6200/T/19 OA 500 CTC 340 PSS	19mm	500mm	340mm
D6200/T/19/SSS	9457203203301	D6200/T/19 OA 500 CTC 340 SSS	19mm	500mm	340mm
D6200/T/25/PSS	9457203204302	D6200/T/25 OA 500 CTC 340 PSS	25mm	500mm	340mm
D6200/T/25/SSS	9457203204301	D6200/T/25 OA 500 CTC 340 SSS	25mm	500mm	340mm

# Ordering details

Item	Article Number	Description	Diameter	Length	Fixing Centres
D6200/T/32/PSS	9457203205302	D6200/T/32 OA 500 CTC 340 PSS	32mm	500mm	340mm
D6200/T/32/SSS	9457203205301	D6200/T/32 OA 500 CTC 340 SSS	32mm	500mm	340mm
D6200/U/19/PSS	9457202483302	D6200/U/19 OA 400 CTC 240 PSS	19mm	400mm	240mm
D6200/U/19/SSS	9457202483301	D6200/U/19 OA 400 CTC 240 SSS	19mm	400mm	240mm
D6200/U/25/PSS	9457202484302	D6200/U/25 OA 400 CTC 240 PSS	25mm	400mm	240mm
D6200/U/25/SSS	9457202484301	D6200/U/25 OA 400 CTC 240 SSS	25mm	400mm	240mm
D6200/U/32/PSS	9457202485302	D6200/U/32 OA 400 CTC 240 PSS	32mm	400mm	240mm
D6200/U/32/SSS	9457202485301	D6200/U/32 OA 400 CTC 240 SSS	32mm	400mm	240mm

## ACCESSORIES - EXTENDED FIXINGS - sold as a pair

DF19/M8/75 PSS	9459751988102	19MM DISK FIX PAIR M8X75MM PSS
DF19/M8/75 SSS	9459751988101	19MM DISK FIX PAIR M8X75MM SSS
DF25/M8/75 PSS	9459752588102	25MM DISK FIX PAIR M8X75MM PSS
DF25/M8/75 SSS	9400000014108	25MM DISK FIX PAIR M8X75MM SSS
DF32/M8/75 PSS	9459753288102	32MM DISK FIX PAIR M8X75MM PSS
DF32/M8/75 SSS	9400000014109	32MM DISK FIX PAIR M8X75MM SSS

## ACCESSORIES - GLASS FIXINGS - sold as a pair

GDF19/M8/50 PSS	9459501988102	19MM GLASS DISK FIX PAIR PSS M8X50MM
GDF19/M8/50 SSS	9459501988101	19MM GLASS DISK FIX PAIR SSS M8X50MM
GDF25/M8/50 PSS	9459502588102	25MM GLASS DISK FIX PSS PAIR M8X50MM
GDF25/M8/50 SSS	9459502588101	25MM GLASS DISK FIX SSS PAIR M8X50MM
GDF32/M8/50 PSS	9459503288102	32MM GLASS DISK FIX PSS PAIR M8X50MM
GDF32/M8/50 SSS	9459503288101	32MM GLASS DISK FIX SSS PAIR M8X50MM