

## GP1000

Glass panic device - top latching wood door mount  
(use with exterior pull types: A, B, D, F, G, H, J, JS, L, LS, X, Z)

### Installation instructions

974003 - 10-2020

| EN |

dormakaba 

# Table of contents

<b>1</b>	<b>Technical specifications</b>	<b>3</b>
1.1	Overview	3
	1.1.1 General information	3
	1.1.2 Intended use	3
	1.1.3 Door requirements/fittings/mounting	3
	1.1.4 Safety instructions	3
	1.1.5 Symbols used - Safety/Installation	3
	1.1.6 Maintenance, care, repair	3
	1.1.7 Disposal	3
	1.1.8 Adhesive specifications	4
	1.1.9 Required dimension	
<b>2</b>	<b>Installation instructions - wood door mount</b>	<b>4</b>
2.1	Overall	4
2.2	Mount exterior pull components - actuator housing	5
2.3	Mount exterior pull components - top standoff	6
2.4	Mount exterior pull components - bottom standoff	7
2.5	Mount exterior pull components - return tube (back-to-back)	8
2.6	Mount interior pull components - actuator housing and int. pull	9
2.7	Mount interior pull components - top standoff	10
2.8	Mount interior pull components - return tube (single-sided)	11
2.9	Mount interior pull components - return tube (back-to-back)	12
<b>3</b>	<b>Adjustments</b>	<b>13</b>
3.1	Clearances	13
3.2	Final adjustments (tube height or length)	14
3.3	Adjust roller latch	14
3.4	Loctite part list	15
3.5	Locking the panic (dogging)	15

# 1 Technical specifications

## 1.1 Overview

These instructions are for installation of GP1000 for the following mounting and style versions:

### 1. Top latching wood door mount

#### 1.1.1 General information

- dormakaba glass hardware is not suitable for harsh environment; for example, applications where chemicals (e.g. chlorine) are used such as indoor swimming pools, saunas, or salt-water pools.
- Do not swing doors with excessive force. Ensure proper installation of limiting stop to prevent door from opening too far.

#### 1.1.2 Intended use

- For swinging doors in dry indoor and covered areas only.
- For manual slow opening and closing only.

#### 1.1.3 Door requirements/fittings/mounting

- The substructure/wall must be able to bear permanent loads, be level (max. tolerance: 1/16" [2] per 39" [1m]).
- Fasteners must be sufficiently dimensioned for the substructure/wall and weight of the door.
- When adjusting door components, always stick to the required clearance for the respective hardware.

#### 1.1.4 Safety instructions

- Installation requires two people.
- Only properly qualified and specially trained staff are authorized to mount dormakaba glass hardware.

#### 1.1.5 Symbols used - Safety/Installation



##### CAUTION

Mounting components must meet the requirements of substructure/wall and door weight. Please read the technical information for fittings.



##### TIPS AND RECOMMENDATIONS

Information note

#### 1.1.6 Maintenance, care, repair

- Immediately replace damaged parts.
- Always use original dormakaba parts.
- Clean clamping area with alcohol-based standard commercial cleaning agent before mounting the glass hardware.
- Use a damp cloth for occasional cleaning.
- Always use silicone - and oil-free cleaners (e.g. acetone).
- Check door hardware at regular intervals for proper positioning, smooth operation and correct adjustment.
- High traffic door systems require inspection by properly qualified staff (specialized companies or installation firms.)
- Function of fittings is recommended to be inspected annually or every 100,000 movements by a specialist.

#### 1.1.7 Disposal

Disposal in accordance with local, state and national regulations.

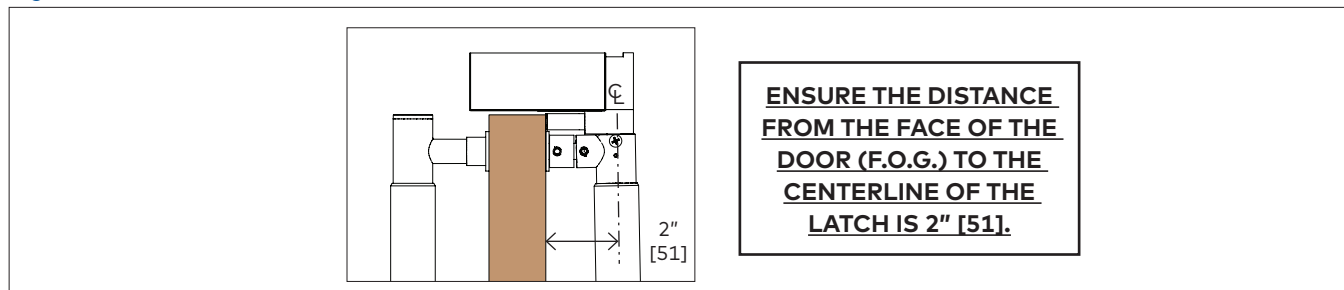
### 1.1.8 Adhesive specifications

Table 1

Adhesive required for GP1000 (not included)		
Loctite® Threadlocker Blue 242®	Handling description	Time
	Set time ( <i>time between application and tightening of screw</i> )	10 minutes on active metals (steel) Longer for less active metals.
	Full cure time ( <i>normal product usage not recommended until full cure time has been met</i> )	24 hours* *Cure time dependent upon temperature and type of metal being bonded.

### 1.1.9 Required dimension

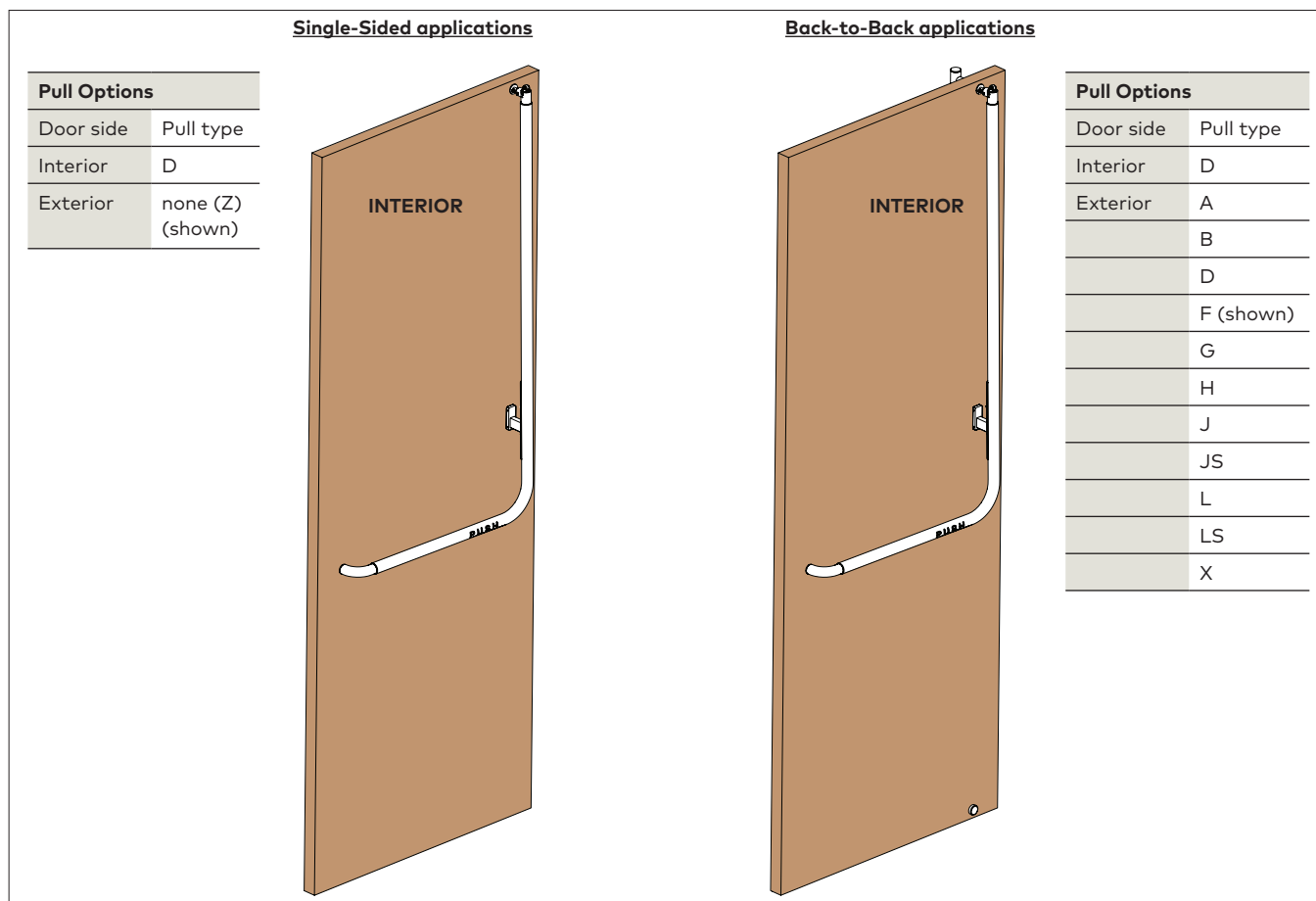
Fig 1



## 2 Installation instructions - wood door mount

### 2.1 Overall

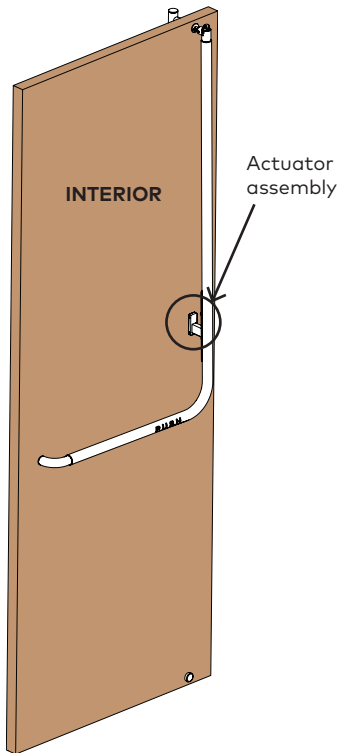
Fig 2



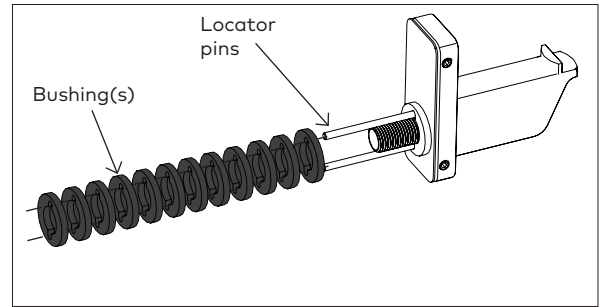
## 2.2 Mount exterior pull components - actuator housing

Fig 3

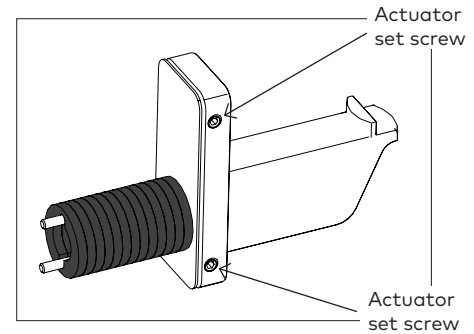
**NOTE: PANIC DEVICE SHOULD BE MOUNTED TO DOOR IN A HORIZONTAL POSITION.  
LAY DOOR PANEL FLAT ON SAW HORSES AND MOUNT THE FOLLOWING  
EXTERIOR PULL COMPONENTS FIRST. EXTERIOR SIDE SHOULD FACE UP.**



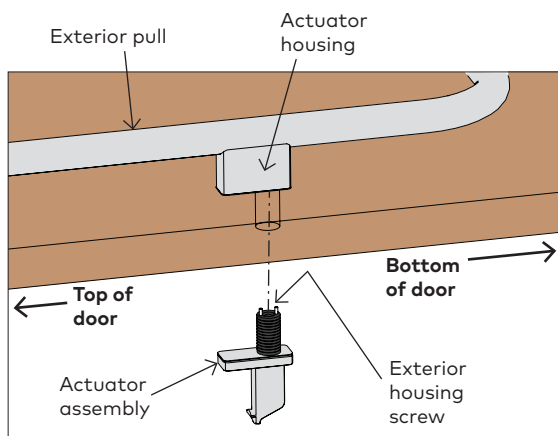
Pull Options	
Door side	Pull type
Interior	D
Exterior	F (shown)



2.2.1 Slide 13 actuator bushings onto the mounting plate locating pins.



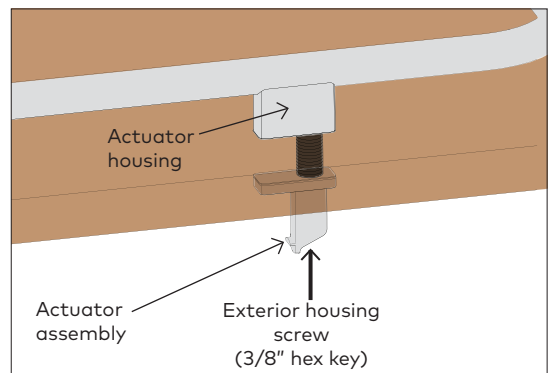
Tools required	
Exterior housing screw	3/8" hex key



2.2.2 Place exterior pull against wood door and align with hole in door.

2.2.3 Slide exterior housing screw through hole in actuator assembly.

- Orient actuator assembly as shown above.



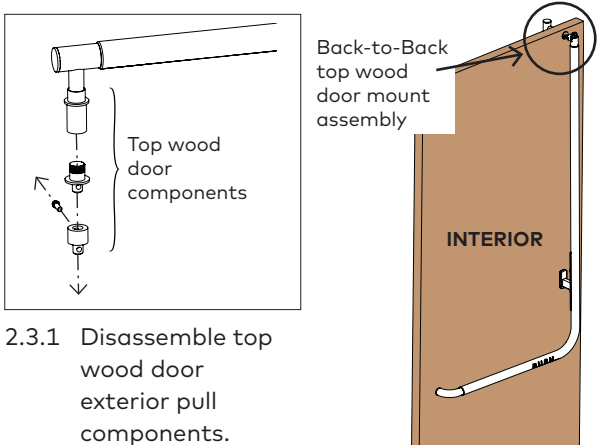
2.2.4 Secure actuator assembly (through door) to actuator housing by tightening exterior housing screw.

- Exterior housing screw can be accessed through end of actuator assembly.
- Use 3/8" hex key.

## 2.3 Mount exterior pull components - top standoff

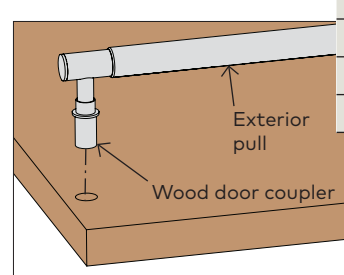
Fig 4

### Back-to-back application



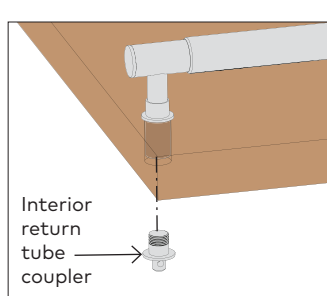
**2.3.1** Disassemble top wood door exterior pull components.

Pull Options	
Door side	Pull type
Interior	D
Exterior	F (shown)

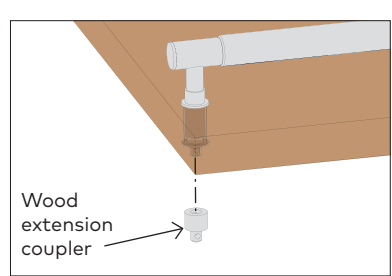


**2.3.2** Place exterior pull through wood door.

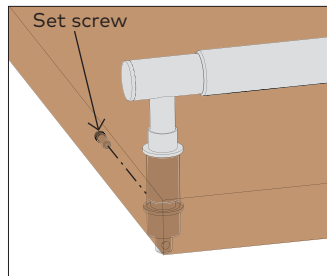
**2.3.3** Thread interior return tube coupler into wood door coupler.



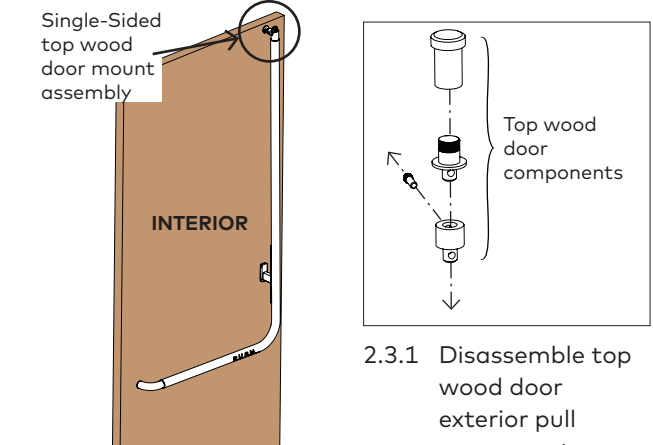
**2.3.4** Slide wood extension coupler onto return tube coupler.



**2.3.5** Secure the two couplers together with the included set screw.

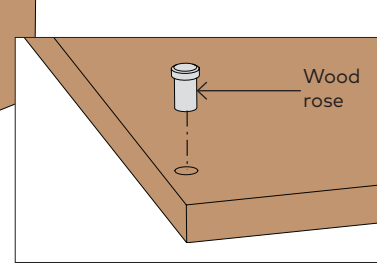


### Single-sided application



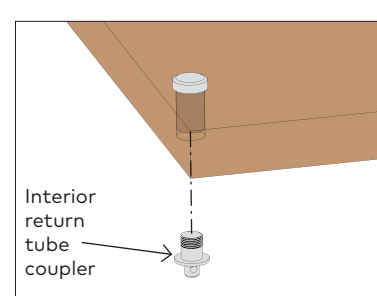
**2.3.1** Disassemble top wood door exterior pull components.

Pull Options	
Door side	Pull type
Interior	D
Exterior	Z-none

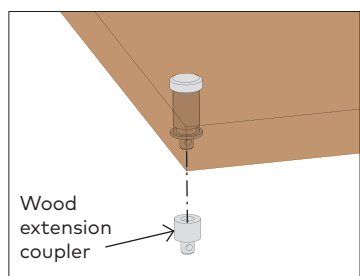


**2.3.2** Place wood rose through wood door.

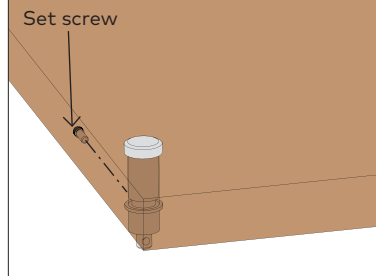
**2.3.3** Thread interior return tube coupler into wood rose.



**2.3.4** Slide wood extension coupler onto return tube coupler.

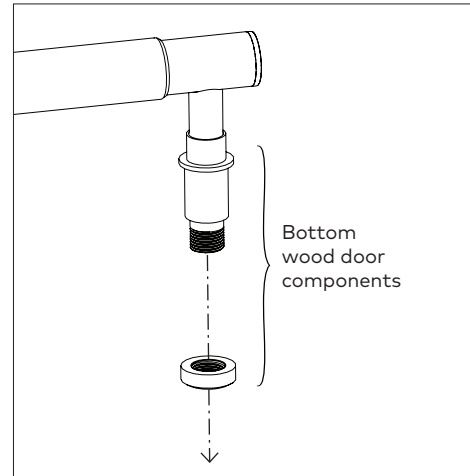
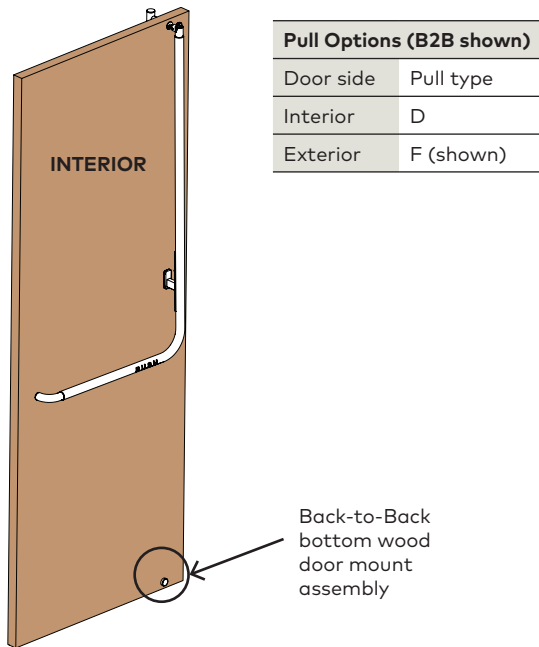


**2.3.5** Secure the two couplers together with the included set screw.

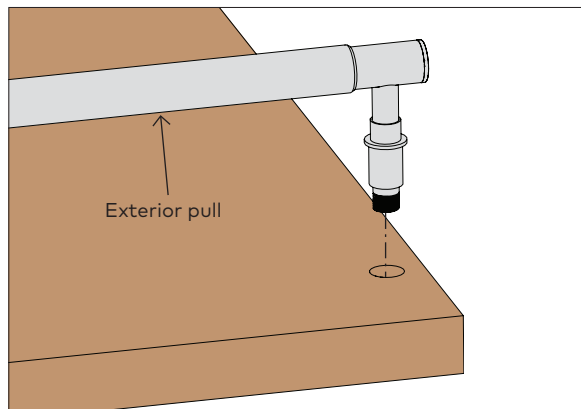


## 2.4 Mount exterior pull components - bottom standoff

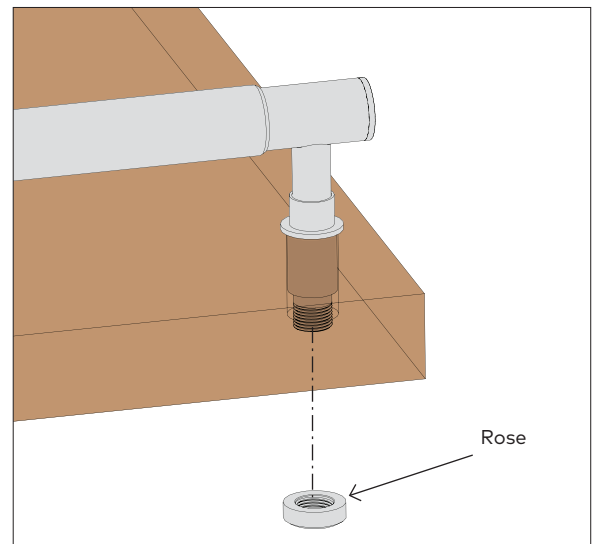
Fig 5



2.4.1 Disassemble bottom wood door exterior pull components.



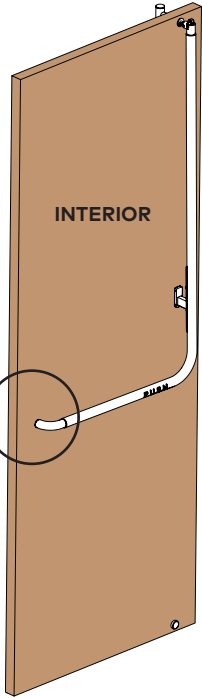
2.4.2 Place exterior pull through wood door.



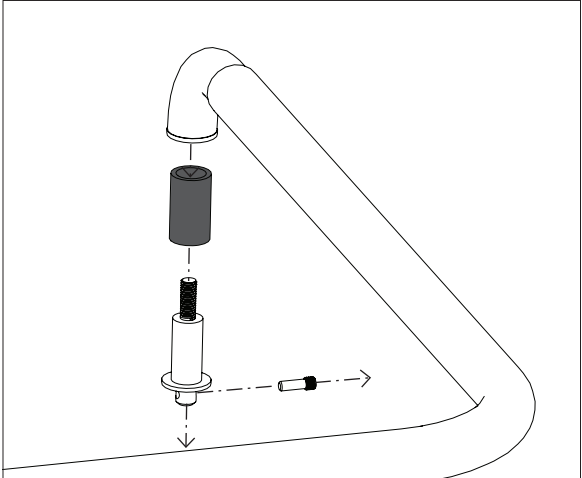
2.4.3 Thread rose onto coupler.

## 2.5 Mount exterior pull components - return tube (back-to-back)

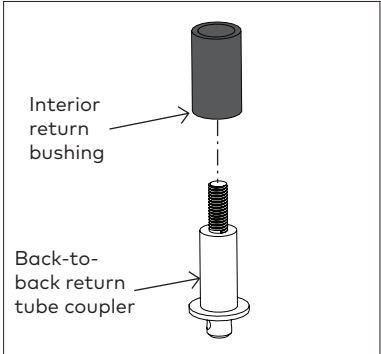
Fig 6



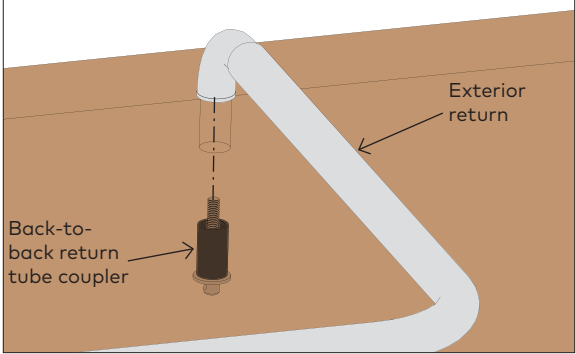
Pull Options	
Door side	Pull type
Interior	D
Exterior	D (shown)



2.5.1 Disassemble return tube coupler components.



2.5.2 Place bushing onto the back-to-back return tube coupler.



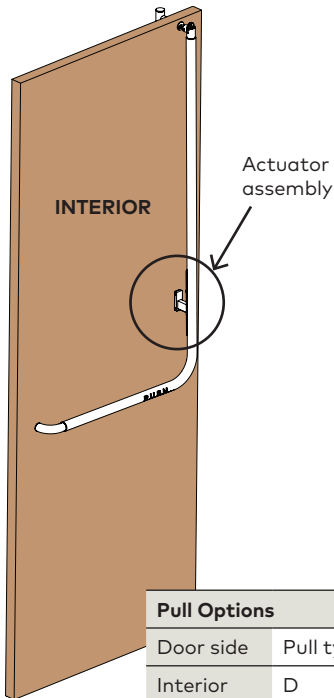
2.5.3 Place exterior return against wood door.  
 2.5.4 Thread back-to-back return tube coupler into exterior return.



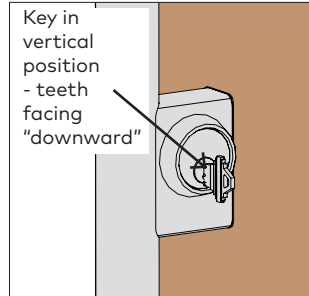
## 2.6 Mount interior pull components - actuator housing and int. pull

Fig 7

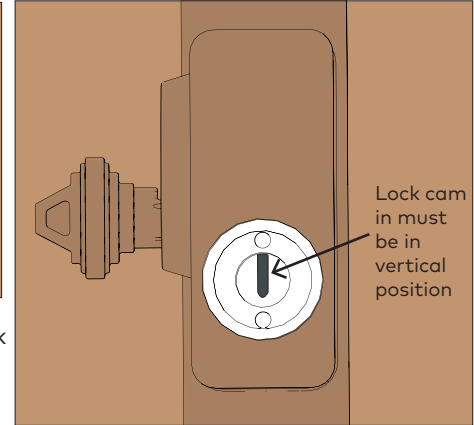
**NOTE: FLIP DOOR OVER AND LAY FLAT ON SAW HORSES TO MOUNT THE INTERIOR SIDE COMPONENTS. INTERIOR SIDE SHOULD NOW FACE UP.**



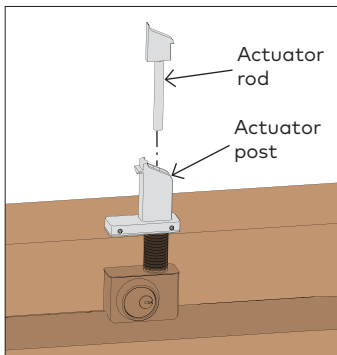
Pull Options	
Door side	Pull type
Interior	D
Exterior	D (shown)



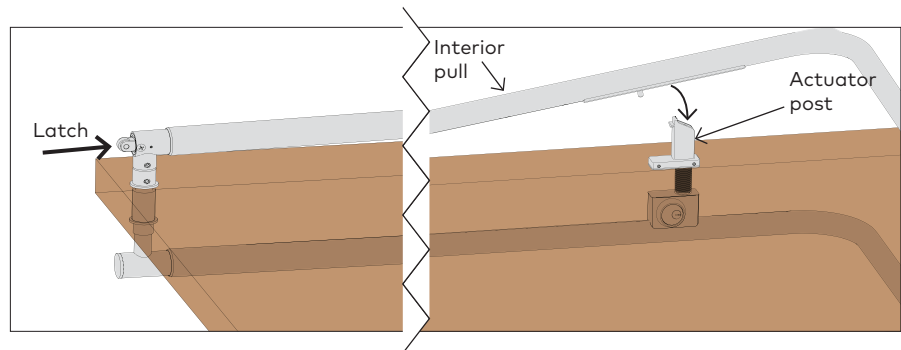
- 2.6.1 Check to ensure lock cam is in vertical position.
- Key should also be in vertical position.
  - Insert key with teeth facing "downward".



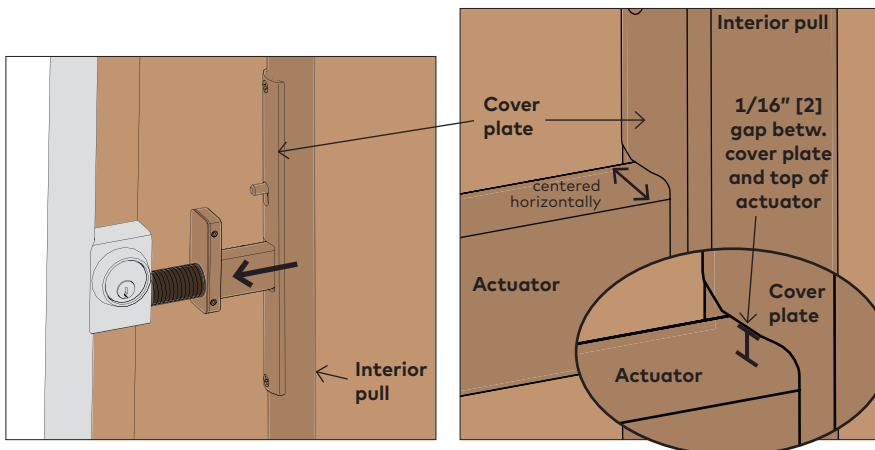
- Note that cam is in vertical position.



- 2.6.2 Slide the actuator rod into the actuator post.



- 2.6.3 Engage roller latch by pushing it down while simultaneously sliding interior pull down onto actuator post at an angle.

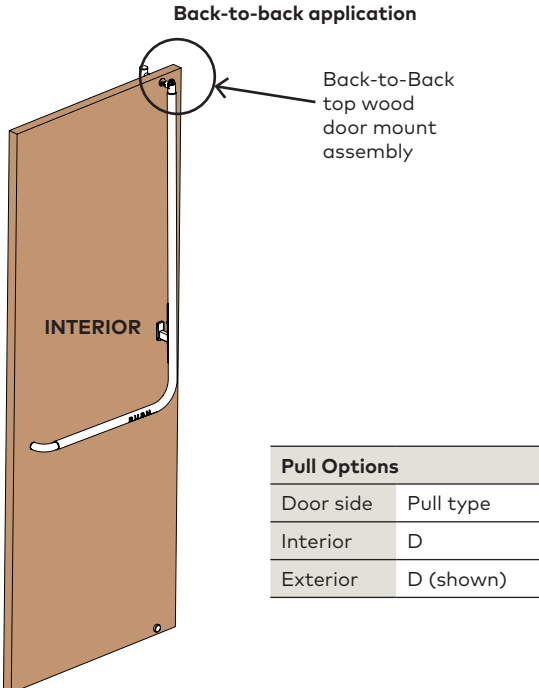


- 2.6.4 Push interior pull forward onto actuator post until it stops.
- 2.6.5 Release roller latch.
- 2.6.6 Ensure actuator is centered horizontally.
- 2.6.7 Ensure there is a 1/16" [2] gap between top of actuator and cover plate.

## 2.7 Mount interior pull components - top standoff

Fig 8

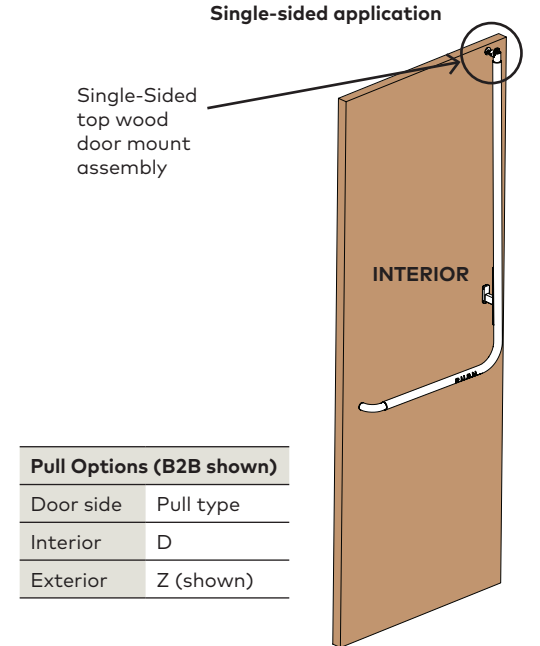
**Back-to-back application**



Back-to-Back top wood door mount assembly

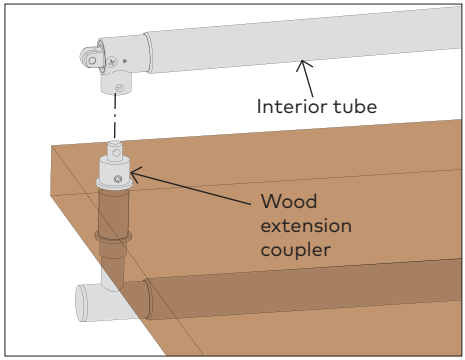
Pull Options	
Door side	Pull type
Interior	D
Exterior	D (shown)

**Single-sided application**



Single-Sided top wood door mount assembly

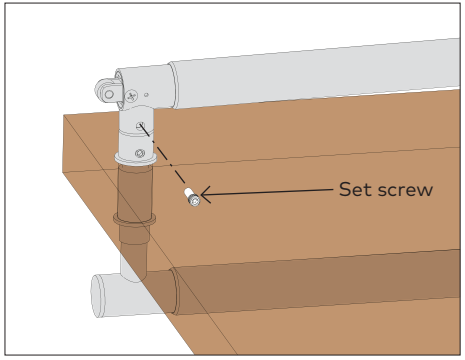
Pull Options (B2B shown)	
Door side	Pull type
Interior	D
Exterior	Z (shown)



Interior tube

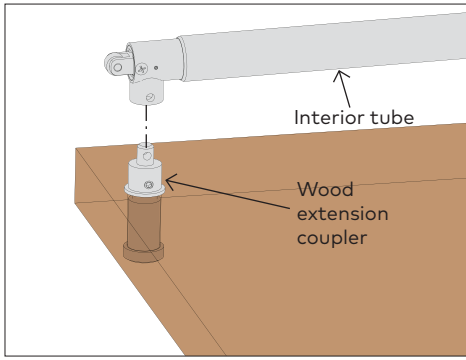
Wood extension coupler

2.7.1 Slide interior tube onto wood extension coupler.



Set screw

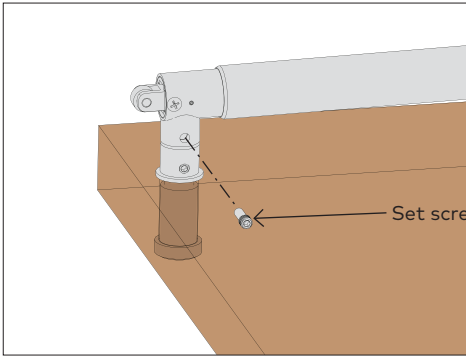
2.7.2 Secure to coupler with included set screw.



Interior tube

Wood extension coupler

2.7.1 Slide interior tube onto wood extension coupler.

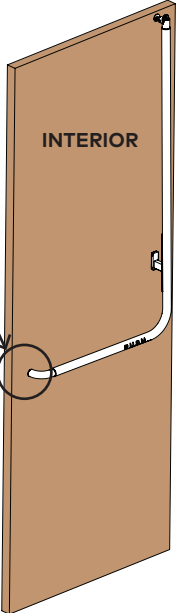


Set screw

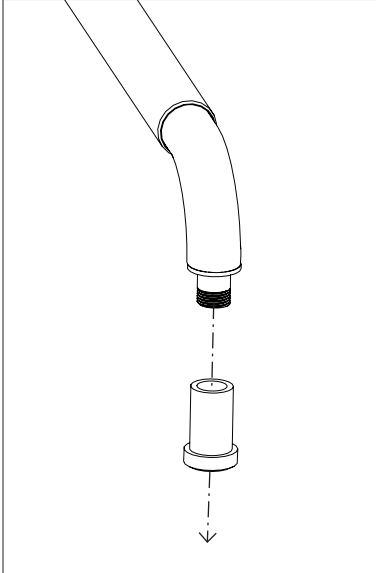
2.7.2 Secure to coupler with included set screw.

## 2.8 Mount interior pull components - return tube (single-sided)

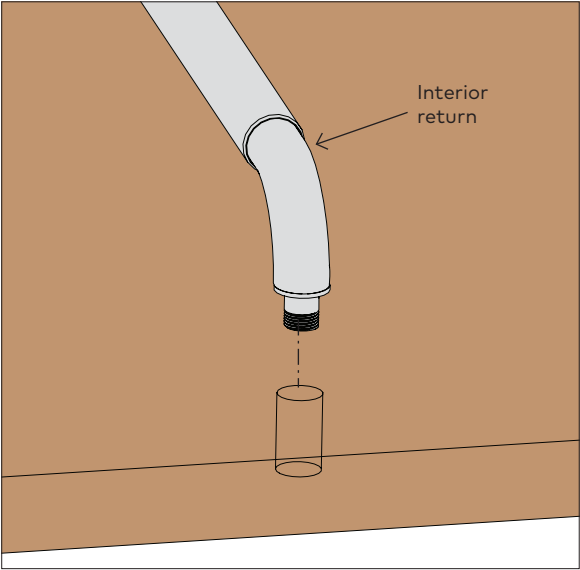
Fig 9



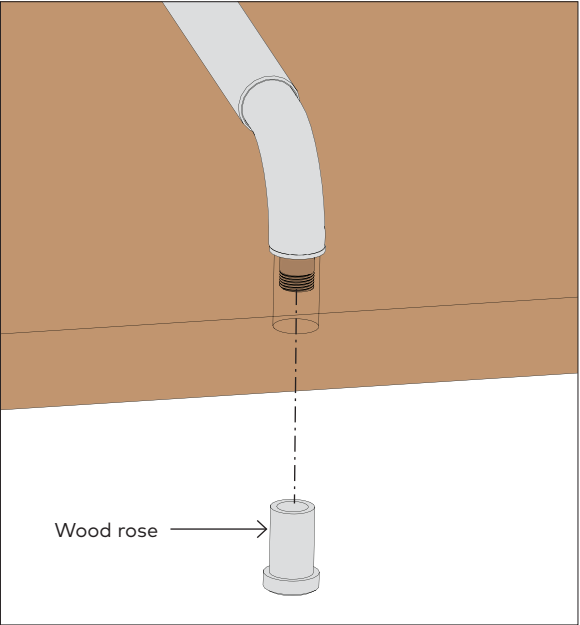
Pull Options	
Door side	Pull type
Interior	D
Exterior	none (Z) (shown)



2.8.1 Disassemble wood rose from interior return tube.



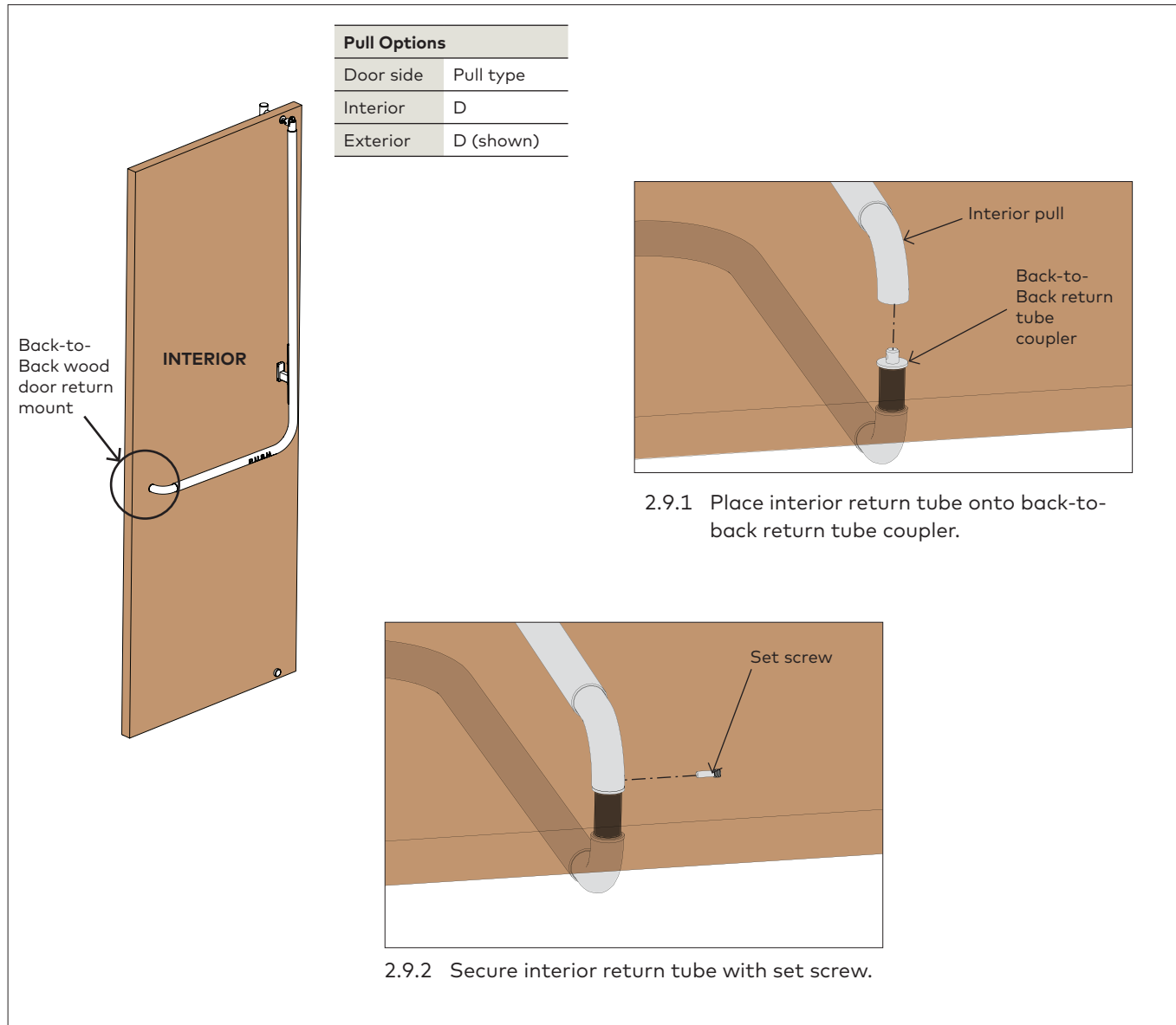
2.8.2 Insert interior return tube into hole in door.



2.8.3 Thread wood rose onto coupler.  
**NOTE: ADD LOCTITE THREADLOCKER® BLUE 242® DIRECTLY AFTER INSTALLATION OF THIS PART.**

## 2.9 Mount interior pull components - return tube (back-to-back)

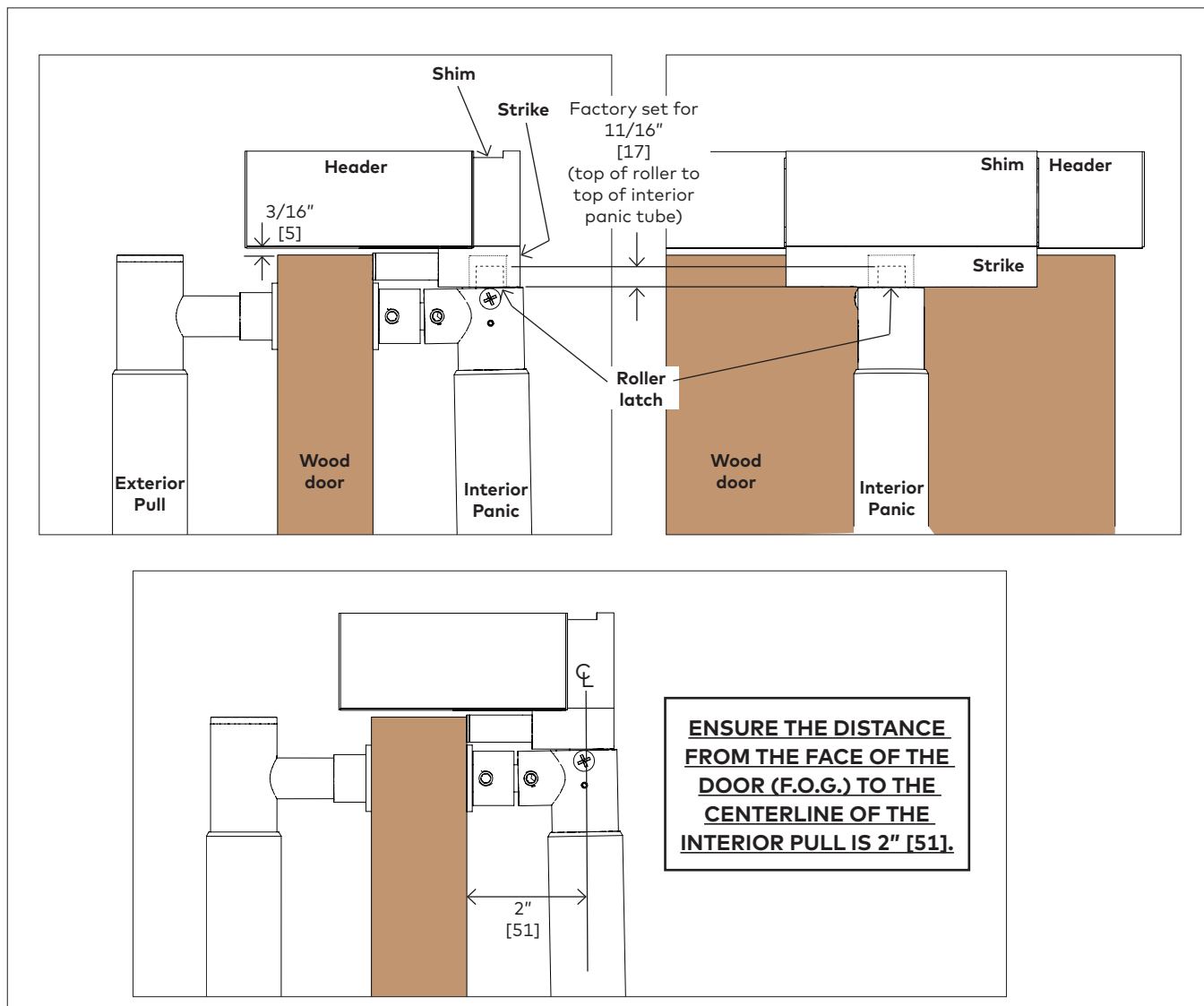
Fig 10



## 3 Adjustments

### 3.1 Clearances

Fig 11



3.1.1 Once door is properly installed, ensure roller latch engages properly with strike.

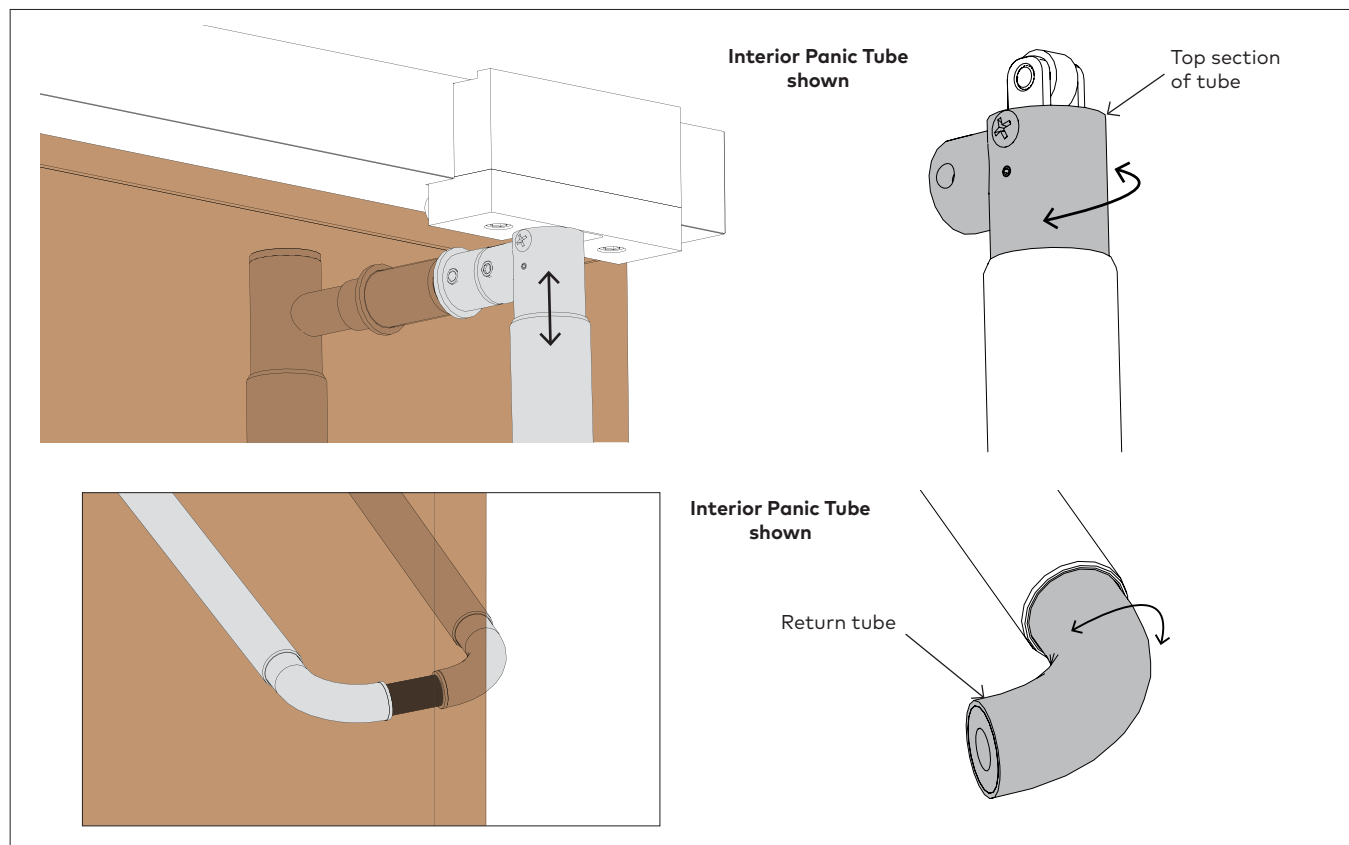
3.1.2 See step 3.2 for tube height or length adjustment.

3.1.3 Centerline of roller at top of retractable bolt should engage strike:

- minimum of 5/8" [3]
- maximum of 3/4" [19] (measure from top of the handle tubing to the top of the bolt that retains the roller).

## 3.2 Final adjustments (tube height or length)

Fig 12

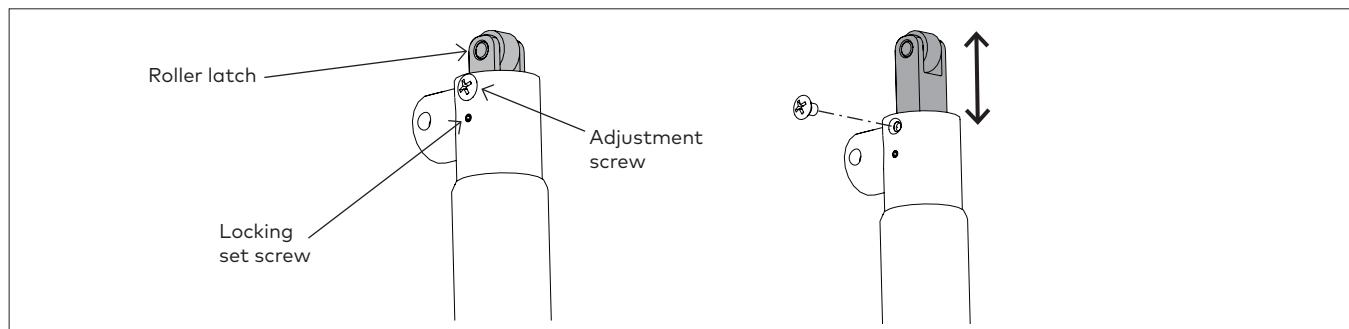


- 3.2.1 Ensure interior and exterior tubes are at the proper height and length.
- 3.2.2 To adjust height up or down:
- Twist top/bottom sections of tube clockwise or counter-clockwise until desired height is met.

- 3.2.3 To adjust length of tube:
- Twist return clockwise or counter-clockwise until desired length is met.

## 3.3 Adjust roller latch

Fig 13



- 3.3.1 Ensure roller latch is at the proper height.
- 3.3.2 To adjust height up or down:
- Remove adjustment screw
  - Loosen locking set screw (DO NOT REMOVE)
  - Slide roller latch up or down until proper height is met.

- 3.3.3 Set latch height:
- Reinsert adjustment screw
  - Tighten locking set screw

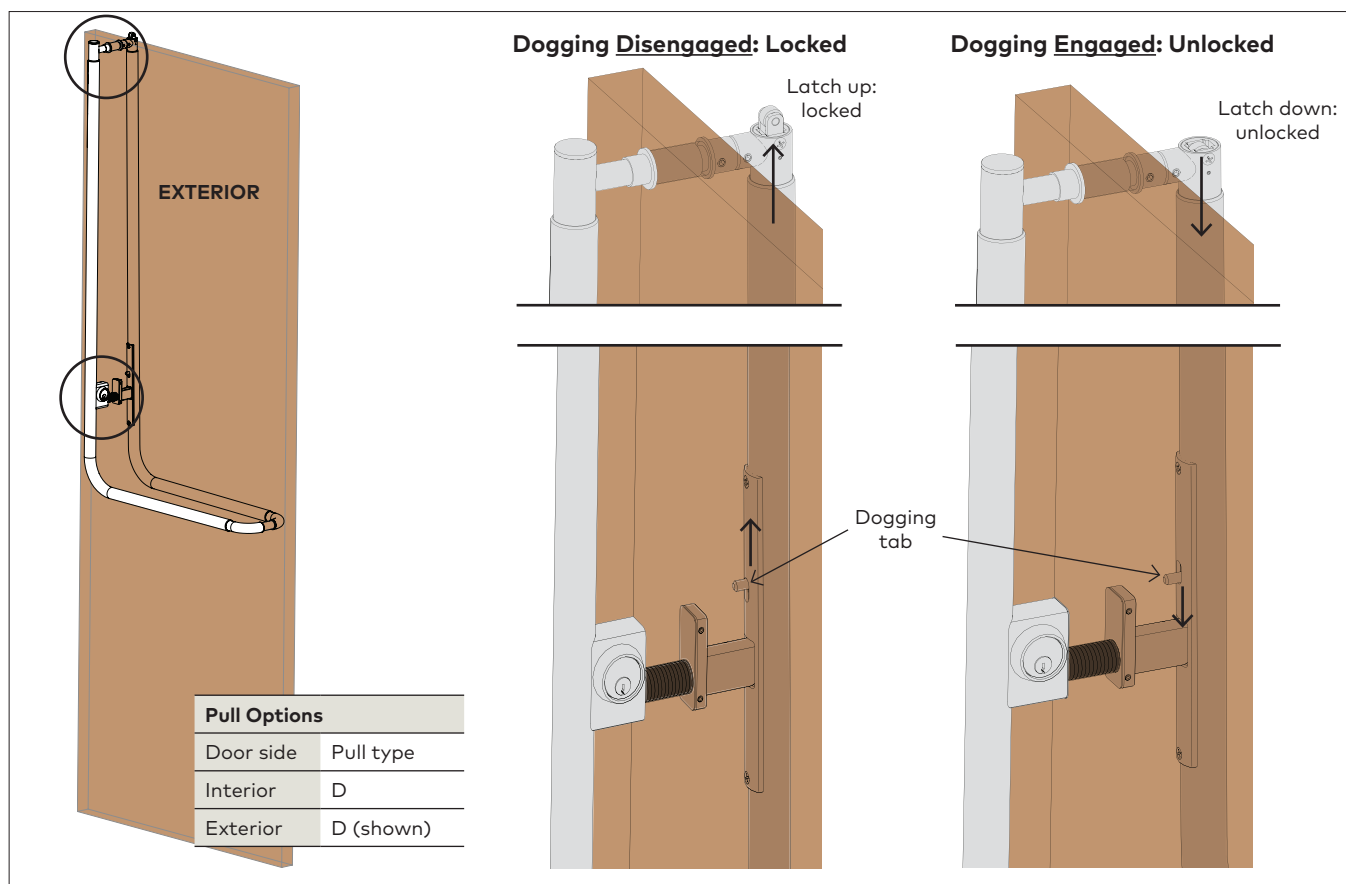
### 3.4 Loctite part list

Fig 14

GPII part	Referenced step
Actuator set screws *	Step 2.2
Interior coupler set screw *	Step 2.7.2
Interior return tube wood rose	Step 2.8.3
Interior return tube set screw *	Step 2.9.2
<b>* To be completed after final adjustments (step 3.2)</b>	

### 3.5 Locking the panic (dogging)

Fig 15



**NOTE:** The panic is always **LOCKED** unless the dogging feature is engaged on the interior of the door.

3.5.1 **Dogging Disengaged:** To keep door **LOCKED** from both exterior and interior sides - move dogging tab **UP**.

3.5.2 **Dogging Engaged:** To keep door **UNLOCKED** from both exterior and interior side:

- press panic bar in and hold in place
- move dogging tab **DOWN SIMULTANEOUSLY**

