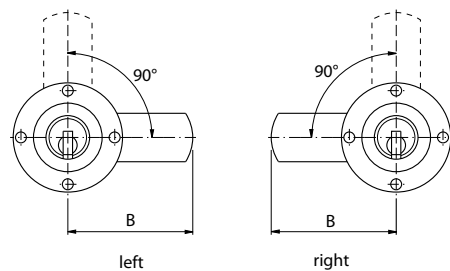
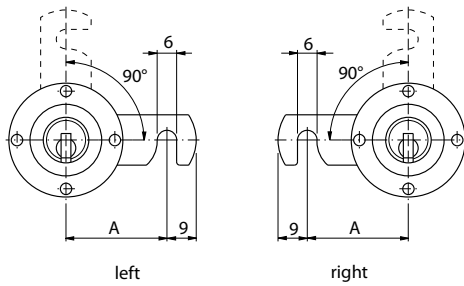
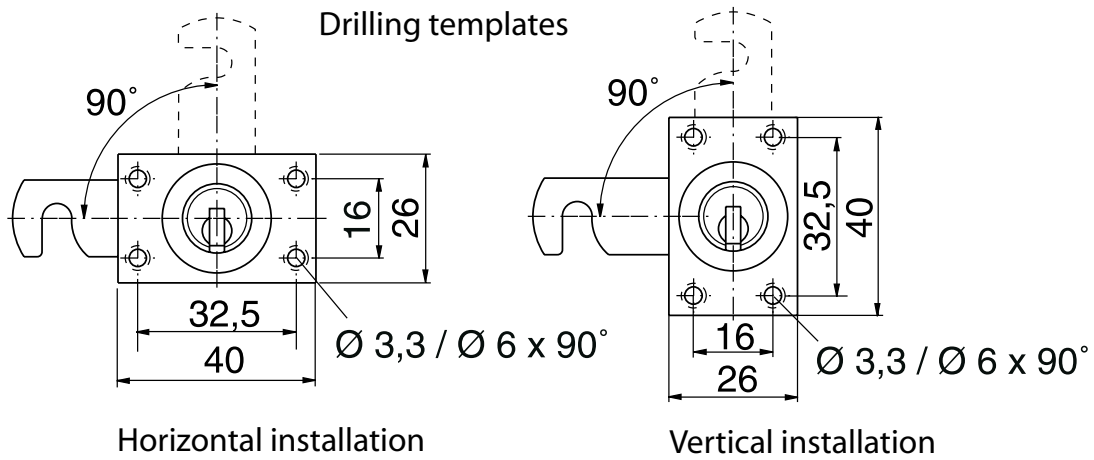


Cam Options for Furniture Cylinders

MZ.1129



Hooked cam left hinged door	
Order code	Dimension A (mm)
1129-17	17
1129-18	21
1129-18A	23,5
1129-19	26
1129-20	31
Hooked cam right hinged door	
Order code	Dimension A (mm)
1129-13	17
1129-14	21
1129-14A	23,5
1129-15	26
1129-16	31
Plain cam usable right and left	
Order code	Dimension A (mm)
1129-6	20
1129-7	25
1129-8	30
1129-9	35
1129-10	40
1129-11	45
1129-12	50

Please note that certain options, finishes and dimensions may be subject to extended factory lead times. Please contact our office via email on sales.uk@kaba.com or telephone (0) 870 000 5625.

¹⁾ Kaba gemini and Kaba quattro are only offered for existing master key systems.

²⁾ Kaba expert, Kaba maTrix and Kaba gemini T are only sold to authorized dealers.