

E-Plex[®] Electronic Standalone Locks

5086/5286/5786 Series



Applications

Helping protect people and everything that matters.

Access control on both sides of the door

E-Plex 5x86 Series provides combination access control for both interior and exterior sides of door. Eliminates problems and costs associated with issuing, controlling and collecting keys and cards.

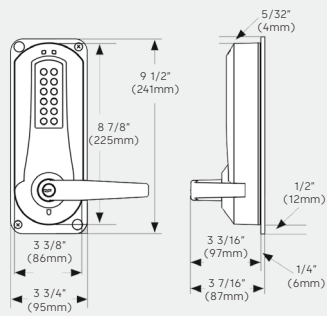
The electronic PIN/Card lock solution is ideal for dual-swing doors, parking gates, and glass doors. Featuring online-type functionality in a stand-alone model, E-Plex 5x86 series models are easy-to-install.

The E-Plex 5086 and 5286 provides exterior access control for multiple users using specific PINs (Personal Identification Numbers). The E-Plex 5786 model requires PINs and/or 125kHz prox credentials).

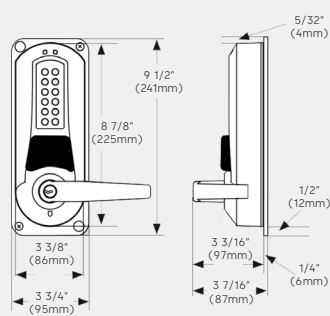
E-Plex 5x86 series benefits

- Up to 3000 users
- PIN code length adjustable up to 8 digits
- Programming: E-Plex 5086 at the lock; E-Plex 5286 via required E-Plex Enterprise or Aurora Software (not included); E-Plex 5786 via optional E-Plex Enterprise or Aurora software (not included).
- Scheduling: Up to 16 different access schedules may be programmed.
- Holiday/Vacation Up to 32 different holiday/vacation blocks may be programmed.
- Operating modes: Access (via Credential); Lockout; Passage (toggled on/off or preprogrammed); Scheduled Access (5286 and 5786 only)
- Anti-tamper lockout is adjustable from 3 to 9 invalid attempts with an adjustable period of 0 to 20 seconds
- 5 authority access levels let you determine who has privileges to specific lock functions
- Minimum of 9000 stored audit events (with optional software). Maximum 30,000 events (software required)
- Vandal Resistance: Exclusive tamper-switch circuitry in reader housing prevents unauthorized access if unit is attacked or removed from mounting

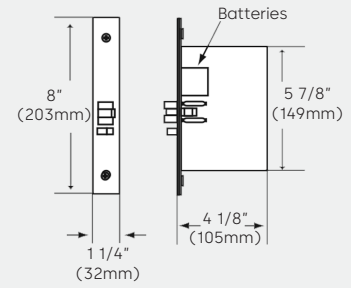
plate. If tamper is detected, the reader unit emits constant bright blue lights and all internal wire other than power become passive until unit is reset.



E-Plex 5086/5286



E-Plex 5786



Mortise

E-Plex Specifications

Finish options	Standard: Satin Chrome (626); Black (676) Optional: Bright Brass (605); Satin Brass (606); Bright Chrome (625); Dark Bronze (simulates 10B-613)
Construction:	Extra heavy-duty, mortise lockset, solid cast housings, solid cast levers, wear tested for extensive use in indoor and outdoor applications
Numeric Keypad:	Vandal resistant, solid metal pushbuttons
Items Supplied Include:	Lock assembly, installation manual, template, quick reference guide, operations manual, and required hardware
Additional Items	Supplied with Key-in-Lever Models Only: Kaba 1599 6-pin cylinders with two nickel silver keys per side and four additional tailpieces for compatibility with other conventional cylinders
Backset:	2 3/4" (70 mm) backset
Latch:	3/4" (19 mm) latch
Minimum Stile	5" (127 mm) (recommended)
Door Preparation:	ASA 86 door preparation with additional through bore holes; no additional mortising of door required
Door Thickness:	1 3/4" (44 mm) to 2 1/4" (57 mm). Pre-assembled to accommodate doors 1 5/8" (41 mm) to 2" (50 mm)
Code Length	4 to 8 Digits
Event Audit Trail	The most recent 9,000 lock events are recorded in memory, including use of the mechanical key override. Software is required to view audit events.
Environmental	Indoor/Outdoor
Operating Temperature	-31 °F (-35 °C) to + 151 °F (66 °C)
Lock Features	Audit Trail, Passage Mode
Key Override:	Universal Key-in-Lever Cylinders Includes Kaba 1599 6-pin cylinders with two nickel silver keys per side (prepped to Kaba 90 or Schlage „C" keyway, keyed different) and tail pieces for compatibility with: Interchangeable Cores: Small format—Best and equivalents (6 or 7-pin length) Removable Cores: Large format—ASSA/Medeco/Yale/Abloy (5 or 6-pin), Corbin Russwin, Schlage, and Sargent
Door Handing:	Non-handed, easily changed in the field
Accessibility	Americans with Disabilities Act (ADA)
Durability:	ANSI/BHMA A156.13, Grade 1 Certification per F30 Asylum Function
Fire Rating	3-hour UL/ULC fire rating for A labeled doors
Weight	15.7lbs (7.1 kg)
Warranty	1 Year Manufacturer

© dormakaba 2023 Information on this sheet is intended for general use only. dormakaba reserves the right to alter designs and specifications without notice or obligation.