

DORMA EML310TP & EML320TP ELECTROMAGNETIC LOCKS WITH UNRECOGNIZED ARMATURE PLATE ALARM

The ideal solution for loss prevention from inside sources.

This intelligent magnet recognizes its own armature plate, preventing anyone from tricking the magnet with a separate plate. Each individually encoded armature plate is registered to match its own electromagnetic lock. Two independent relay outputs allow for lock status and alarm status for local and/or remote indication.

DORMA Solutions

- Up to 1500 lb (680 kg) holding force
- Unrecognized armature plate alarm
- Built-in time delay for instant release with adjustable re-lock
- Alarm time setting
- Individually encoded armature
- LSS—Lock status sensor (includes LED)
- Field selectable voltage—12/24 VDC
- Adjustable keyhole mounting
- MOV surge protection
- No residual magnetism
- Self-drilling tek™ fasteners
- Easy-access wiring cavity
- Stabilizing 4-bolt mounting (8-bolt for EML320TP)
- Adjustable re-lock time delay
- 628 brushed anodized aluminum lock body finish

Listings & Approvals

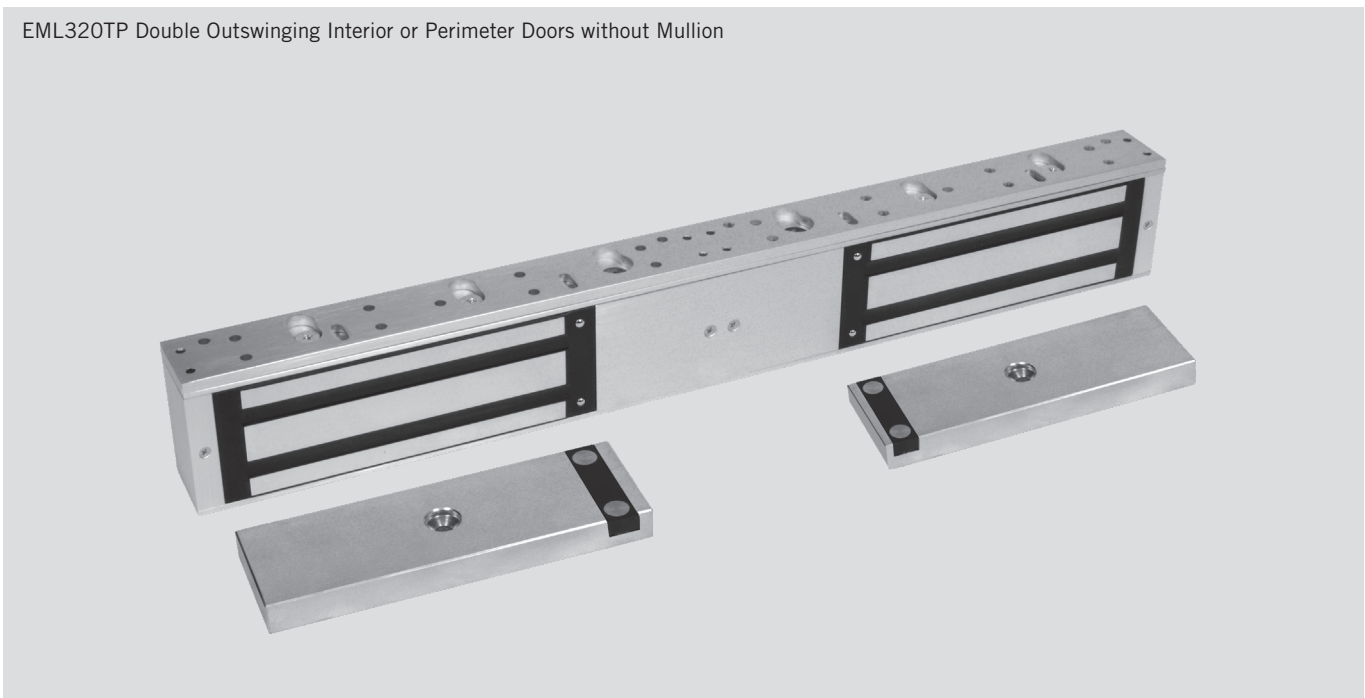
- UL/CUL listed under their continuing reinspection programs and conforms to standards UL 10C and GWXT positive pressure fire testing, 1 hour fire rated pending
- ANSI/BHMA 156.23, Grade 1 pending
- CSFM pending
- Contributes to U.S. Green Building Council, LEED® MR Credits 2.1, 4.1, 4.2, and 5.1

EML310TP Single Outswinging Interior or Perimeter Doors



NOTE: When installed on access-controlled egress door assemblies, per NFPA101, must use Push to Exit labeled manual release device. DORMA push-button models PBEP, PB72, or PB73 are recommended.

EML320TP Double Outswinging Interior or Perimeter Doors without Mullion



Specifications	EML310TP	EML320TP
Housing Dimensions	1-5/8" D × 2-7/8" W × 10-1/2" L (41.3 mm × 73.0 mm × 266.7 mm) (including 1/4" (6 mm) mounting bracket)	1-5/8" D × 2-7/8" W × 21" L (41.3 mm × 73.0 mm × 533.4 mm) (including 1/4" (6 mm) mounting bracket)
Armature Plate Dimensions	Standard: 5/8" D × 2-3/8" W × 7-7/16" L (15.9 mm × 60.3 mm × 188.9 mm)	Standard: 5/8" D × 2-3/8" W × 7-7/16" L (15.9 mm × 60.3 mm × 188.9 mm)
Voltage	Field selectable 12/24 VDC Tolerance ±10%	Field selectable 12/24 VDC Tolerance ±10%
Power/Current Requirements	Max 0.59 A at 12 VDC Max 0.29 A at 24 VDC	Max 0.59 A at 12 VDC (each lock) Max 0.29 A at 24 VDC (each lock)
Holding Force	One-point locking (1500 lb)	Two-point locking (1500 lb each point)
Output Relays	Lock status output (LSS)—SPDT 2 A @ 30 VDC Alarm status output—SPDT 2 A @ 30 VDC	Lock status output (LSS)—SPDT 2 A @ 30 VDC Alarm status output—SPDT 2 A @ 30 VDC
Wiring Requirements	2 wires—power input; up to 4 wires relay output	2 or 4 wires—power input; 4 or 8 wires relay output
Operating Temperature	14 to 140° F (–10 to 60° C)	14 to 140° F (–10 to 60° C)

NOTE: DORMA recommends frame reinforcement and our filtered, regulated DC voltage PS53 Series power supplies.

Function	Description
Lock Status Sensor Output (LSS)	An SPDT relay offers lock status remote indication capability.
LED Indicator	The LED gives a local indication of lock status: red—unsecured; green—secured.
Illegal Armature Plate Arm	An SPDT relay output offers local LED or remote indication capability of illegal armature alarm.
Alarm Time	Can be set to 15, 30, or 60 seconds or manual reset.
Re-lock Time Delay	Field adjustable re-lock time delay, 0–90 seconds. Instant release with adjustable re-lock time. Timer starts when power is applied.
Non-volatile EEPROM	Saves the armature plate ID, even when power has been removed.

Finish¹

Plated

- Brass: 605 (Bright) or 606 (Satin)
- Bronze: 613 (Oxidized Satin)
- Chrome: 625 (Bright) or 626 (Satin)

Painted

- Bronze: 691 (Dull)
- Black: 693
- Gold: 696 (Satin)

Optional Mounting Accessories

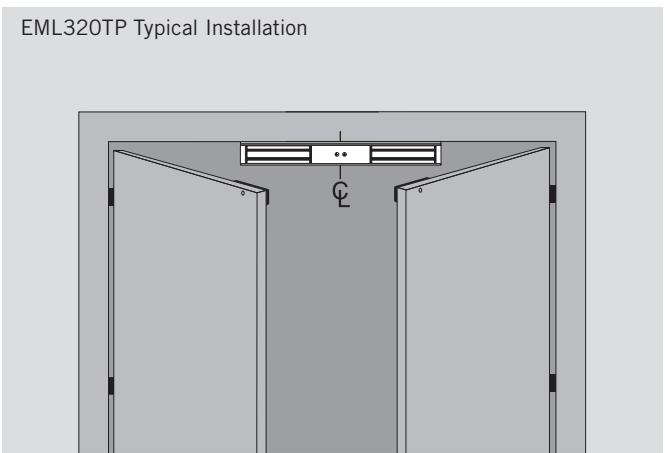
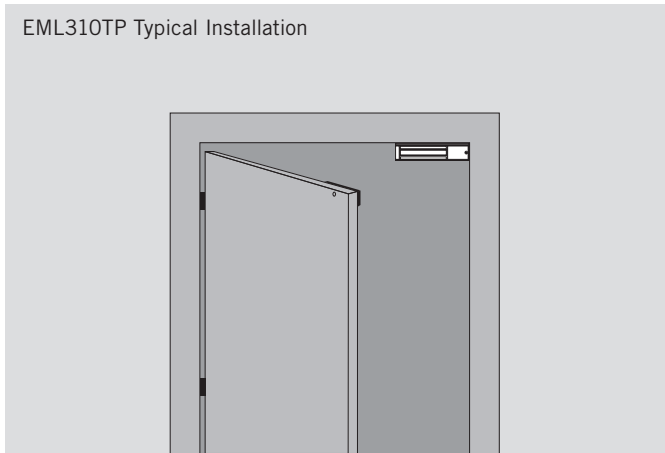
- Angle brackets
- Armature plate holders
- Filler bars
- Glass door brackets
- Spacers
- Top jamb **Z** bracket kits for inswinging doors
- Armature bolts
- **L** brackets
- Magnet housing cover wraps—**MCW310** or **MCW320** (specify finish)

1. Lock body supplied in 628. All other finishes supplied as a cover.

HOW TO ORDER EML310TP/EML320TP SERIES

Finish ¹		Model		Mounting Brackets ²		Glass Door Brackets	
Painted	696	Gold	320TP	CMB10	Conduit Mounting Bracket (EML310TP)	GDB26	3/4" (EML320TP)
	693	Black		TJ20	Top Jamb Bracket (EML320TP)		GDB24
Plated	691	Dull Bronze	310TP	TJ10	Top Jamb Bracket (EML310TP)	GDB16	3/4" (EML310TP)
	628	Clear Anodized Aluminum	310TP	LB20	2-1/2"H × 2"W × 21"L	GDB14	1/2" (EML310TP)
	626	Satin Chrome		AB22	1-1/2"H × 1-1/2"W × 21"L		
	625	Bright Chrome		AB21	1-1/2"H × 1"W × 21"L		
	613	Oxidized Satin Bronze		AB20	1"H × 1"W × 21"L		
	606	Satin Brass		AB13	1-1/2"H × 1-1/4"W × 10-1/2"L		
	605	Bright Brass		AB12	1-1/2"H × 1"W × 10-1/2"L		
				AB11	1"H × 1"W × 10-1/2"L		
EML Series				Armature Plate Holders²			
EML		1/8"H × 3/4"W × 10-1/2"L	FB11	EML310TP	APH10	2-1/4"-2-3/4" Doors	AMB225
Electromagnetic Locks		1/4"H × 3/4"W × 10-1/2"L	FB12	EML320TP	APH20	1-3/4"-2-1/4" Doors	AMB275
Series		1/2"H × 5/8"W × 10-1/2"L	FB14N			2-3/4"-3" Doors	AMB300
		1/2"H × 3/4"W × 10-1/2"L	FB14	Armature Bolts			
		5/8"H × 3/4"W × 10-1/2"L	FB15				
		1/4"H × 3/4"W × 21"L	FB22				
		1/2"H × 5/8"W × 21"L	FB24N				
		1/2"H × 3/4"W × 21"L	FB24				
		5/8"H × 3/4"W × 21"L	FB25				
		1/2"H × 3/4"W × 9"L	FB714				
		5/8"H × 3/4"W × 9"L	FB715				
		1/2"H × 1-1/2"W × 21"L	BSS24				
		5/8"H × 1-1/2"W × 21"L	BSS25				
				Fillers/Spacers²			

1. Lock body supplied in 628. All other finishes supplied as a cover.
2. Specify 628 or 695 finish, except FB11/LB20/CMB10 available in 628 only.



DORMA also offers a complete line of Electromagnetic Locks, Electric Strikes, Door Controls, Power Supplies, Switches, Keypads & Readers, Exit Devices, Systems & Door Hardware.

www.dorma.com



DORMA USA, Inc.
Dorma Drive, Drawer AC
Reamstown, PA 17567
Tel: 800 523 8483
Fax: 800 274 9724
archdw@dorma-usa.com

DORMA Canada
1680 Courtney Park Drive, Unit 13
Mississauga, Ontario L5T 1R4
Tel: 800 387 4938
Fax: 905 670 5850
www.dormacanada.com

DORMA Mexico
Calle Sur 110 no. 63, Col. Tlalteca
01150 México, D.F.
Tel: 5255 5272 6937
Fax: 5255 5272 6948
operacion@dorma.com.mx