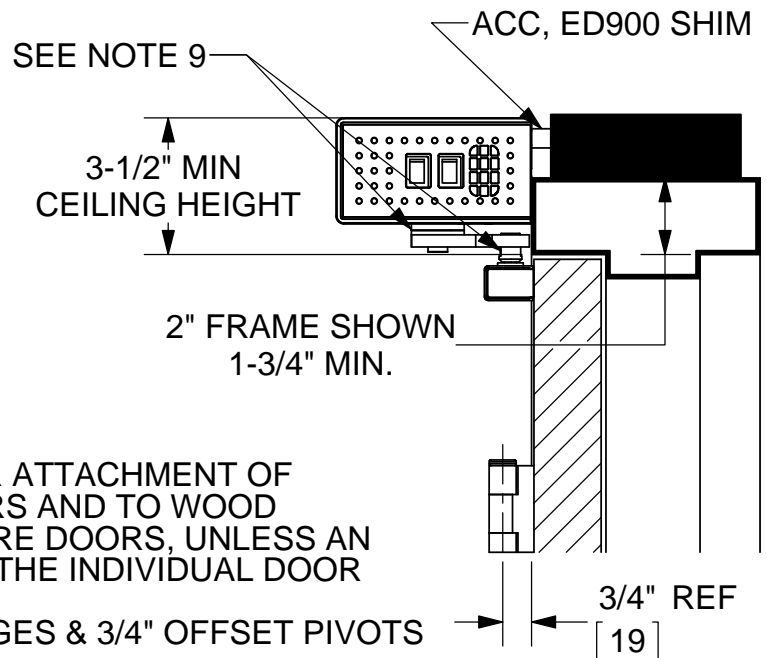


DIM "A" W/ 1/2" PIVOT PIN	DIM "A" W/ 1"PIVOT PIN
3/4" [19]	1-1/4" [32]

AXLE EXT	DIM B
0mm	1-1/4"[32]
20	2"[52]
30	2-7/16" [62]
60	3-5/8" [92]



1. DRAWING IS NOT TO SCALE.
2. DIMENSIONS ARE IN INCHES/[mm].
3. RIGHT HAND DOOR SHOWN.
4. CAUTION: SEX NUTS ARE REQUIRED FOR ATTACHMENT OF COMPONENTS TO UNREINFORCED DOORS AND TO WOOD OR PLASTIC FACED COMPOSITE TYPE FIRE DOORS, UNLESS AN ALTERNATIVE METHOD IS IDENTIFIED IN THE INDIVIDUAL DOOR MANUFACTURER'S LISTINGS.
5. TEMPLATE IS FOR 4-1/2 X 4-1/2 BUTT HINGES & 3/4" OFFSET PIVOTS
6. MAXIMUM DEGREE OF OPENING 110.
7. MIN DOOR WIDTH 28"
8. DOORS AND FRAMES MUST BE PROPERLY REINFORCE TO WITHSTAND THE OPERATING FORCES OF A LOW ENERGY OPERATOR.
9. SHOWN WITH THE STANDARD 0mm AXLE EXTENSION & 1/2" [13] PIVOT PIN.
10. REVEAL DEPTHS 1-1/8" MAX.