

Kerberos

Tripod Barriers



High-quality Kerberos Tripod Barriers

Practical
Robust
Easy to use

Kerberos Tripod Barriers relieve reception staff and take over access control in the most varied situations. Our proven control technology comfortably controls user flow even in times of high throughput.

Versatility

For access to the premises or the company building, a variety of attractive designs for single or multiple installations are available. Our high-quality tripod barriers are made of stainless steel and suitable for indoor and outdoor installation.

Minimal power consumption

The quiet low-energy drive consumes very little energy and adapts to the speed of the person entering.

Clearing and barring passage automatically

In an emergency, versions with foldable bars and the SafeRoute escape route safety device clear the escape route in both directions. The foldable crossbar is reset automatically as soon as the critical event is over. Both can also be initiated by authorized reception staff using an operating device, for example for goods transport.



Advantages of Kerberos Tripod Barriers

The right combination of security, user comfort and personal safety.

- Foldable bars and automatic reset
- Modular individual and multiple installations
- Comfortable passage thanks to servo positioning drive
- Minimal energy consumption
- Low energy drive ensures safe passage
- Suitable for outdoor installation
- IP54 protection possible
- With additional equipment, suitable for emergency and escape routes
- Barrier-free solutions in conjunction with automatic half-height swing doors in suitable design
- Version with payment device possible (see TPB-M04)
- Stands offer space for the installation of on-site components
- Card collector can be fitted instead of rectangular stand
- Mobile use on pallet possible
- All distances are dimensioned in accordance with DIN EN 17352 so that there is no risk of injury



As barrier-free solutions we offer swing doors in matching design.

The ideal solution for any access point



01
Compatible with a wide range of ticket management systems



02
Compact solution for low depth rooms



03
Multiple units in large entrance hall



04
Mobile application on pallet

For quick entry to:

- Office and administrative buildings
- Ministries
- Public authorities
- Manufacturing plants
- Airports
- Banks and financial institutions
- Stadiums
- Amusement parks

Throughputrate = up to 45 per minute
Security level = ●○○○○
Comfort = ●●●○○
Staff supervision = yes





Kerberos Tripod Barriers



Standard units

Construction	Description
	Housing material
	Base column, base or flange plate material
	Crossbar material
Finish	
Function	
Electrical equipment	
	Power supply
	Standby power consumption
Installation	
Protection classes	
Norm	

Kerberos TPB-E01

Housing and base columns in a single unit (open design).

AISI 304 stainless steel.

AISI 304 stainless steel.

AISI 304 stainless steel.

Stainless steel satin finish.

Power-assisted motion; servo positioning drive/
electrically controlled in 2 directions.

Control system integrated in the unit.

100 - 240 VAC, 50/60 Hz, 253 VA.

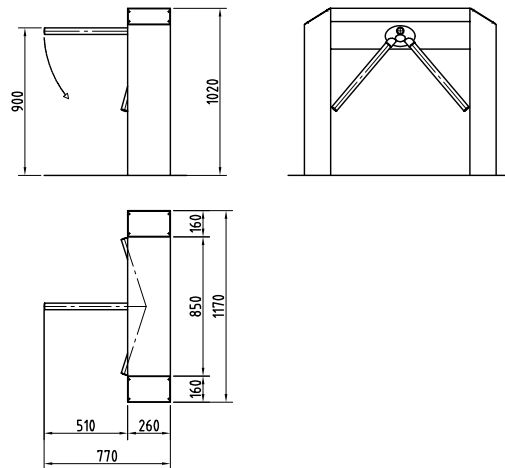
10 VA.

Dowelled on finished floor level, FFL.

Suitable for outdoor installation.

Housing IP33, components conducting supply voltage IP43.

DIN EN 17352 Further standards in the CE declaration.



All dimensions in mm



Kerberos TPB-L06

Housing and base columns in a single unit.

Double unit based on the TPB-E01, particularly space-saving design.

AISI 304 stainless steel.

AISI 304 stainless steel.

AISI 304 stainless steel.

Stainless steel satin finish.

Power-assisted motion; servo positioning drive/
electrically controlled in 2 directions.

Control system integrated in the unit.

100 - 240 VAC, 50/60 Hz, 506 VA.

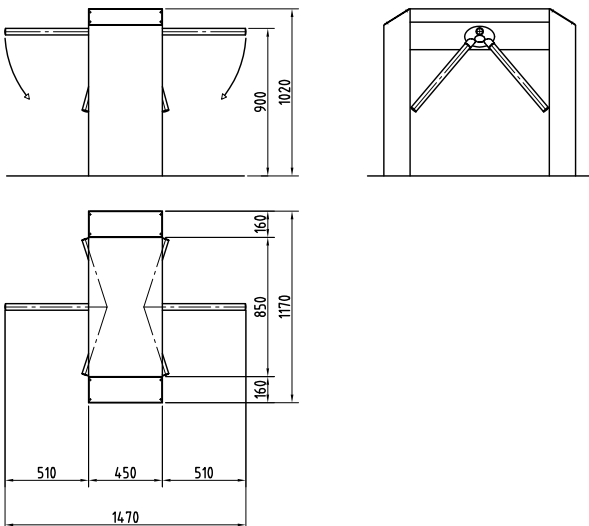
20 VA.

Dowelled on finished floor level, FFL.

Suitable for outdoor installation.

Housing IP33, components conducting supply voltage IP43.

DIN EN 17352 Further standards in the CE declaration.



Kerberos Tripod Barriers



Standard units

Construction	Description
	Housing material
	Base column, base or flange plate material
	Crossbar material
Finish	
Function	
Electrical equipment	
	Power supply
	Standby power consumption
Installation	
Protection classes	
Norm	

Kerberos TPB-L07

Housing and base columns in a single unit (open design).

AISI 304 stainless steel.

AISI 304 stainless steel.

AISI 304 stainless steel.

Stainless steel satin finish.

Power-assisted motion; servo positioning drive/
electrically controlled in 2 directions.

The control unit is integrated into the unit.

100 - 240 VAC, 50/60 Hz, 253 VA.

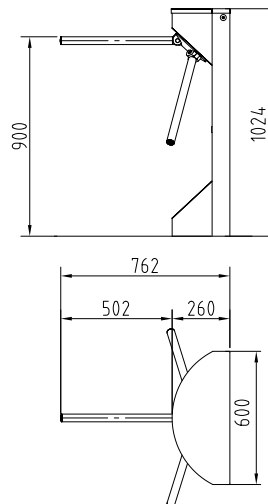
10 VA.

Dowelled on finished floor level, FFL.

Suitable for outdoor installation.

Housing IP33, components conducting supply voltage IP43.

DIN EN 17352 Further standards in the CE declaration.



All dimensions in mm



Kerberos TPB-S03

Housing with base column and flange plate.

Aluminium.

AISI 304 stainless steel.

AISI 304 stainless steel.

Stainless steel satin finish.
Aluminium housing painted in RAL 9006.

Power-assisted motion; servo positioning drive/
electrically controlled in 2 directions.

Control system integrated in the unit.

100 - 240 VAC, 50/60 Hz, 253 VA.

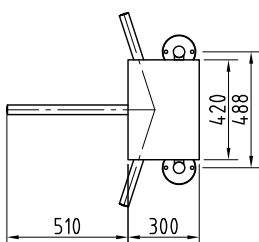
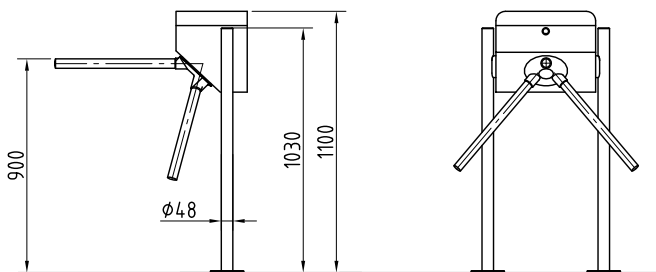
10 VA.

Dowelled on finished floor level, FFL.

Suitable for outdoor installation.

Housing IP33, components conducting supply voltage IP43.

DIN EN 17352 Further standards in the CE declaration.



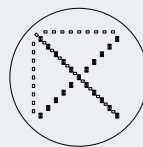
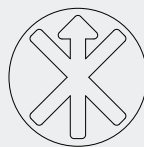
Options

(depending on unit type)

	TPB-E01	TPB-L06	TPB-L07	TPB-S03
Construction				
Plastic cover plate.	•			
Base column rounded.	•			
Function				
Counter, random generator with horn.	•	•	•	•
SafeRoute with emergency push-button.	•	•	•	•
Collapsible bars.	•	•	•	•
Electrical equipment				
Installation preparation on flat surface.	•	•		
Different consoles made completely of stainless steel or plastic.			•	•
Push button on flat surface.	•	•	•	•
Operating panels and frames or surface mount housing.	•	•	•	•
Additional circuit boards for expanding existing inputs and outputs on unit type 2.	•	•	•	•
Various signal devices.	•	•	•	•
Star hub (connection of max. four OPLs possible).	•	•	•	•
Installation				
Pallet with stainless steel ramp and rubber covering, approx. 1.0 m x 1.5 m, height approx. 32 mm.	•	•		
With substructure X = 80 - 160 mm for sub floor level.	•	•		
With substructure X = 80 - 180 mm for sub floor level.			•	•
With cast-in clamping sleeves and rosettes for structural floor level.				•



OPL 05 operating panel.



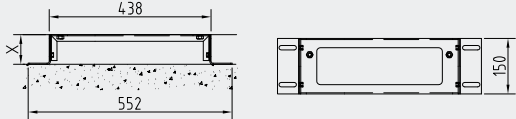
Signal device LED arrow-cross (installed in the housing or in the cover plate of both sides).



Console 1 with plastic adapter in RAL 9006, W/H/D 94/94/65 mm with Ø 65 mm cut-out, fixed to lateral barrier.

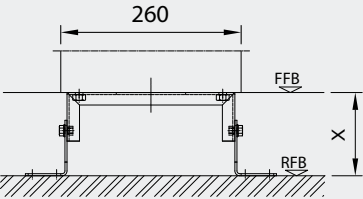
Installation variants

TPB-L06



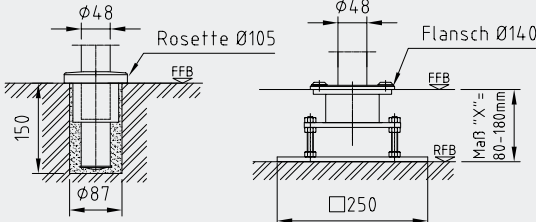
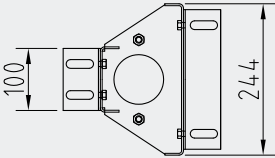
Substructure

TPB-E01



Substructure

TPB-S03

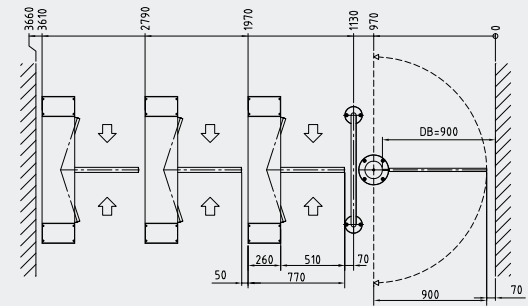
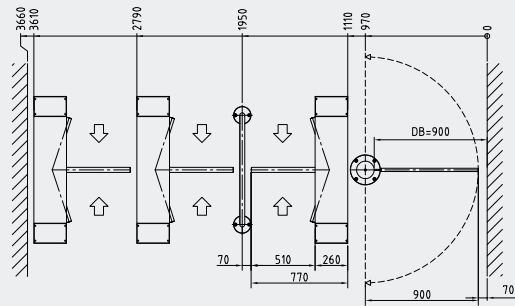
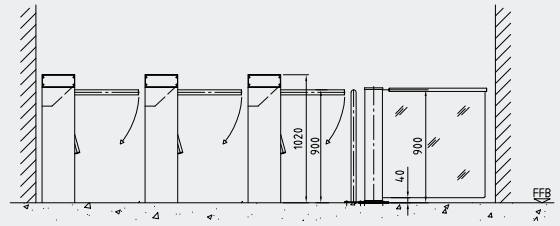
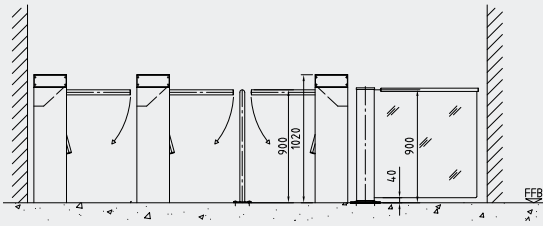


Cast-in

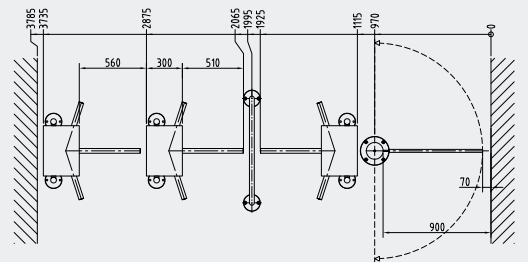
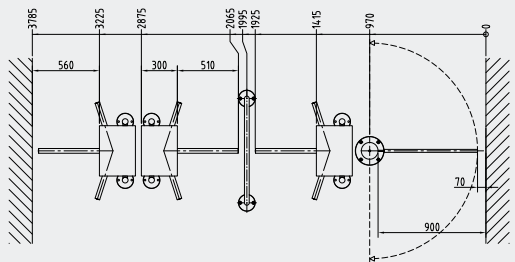
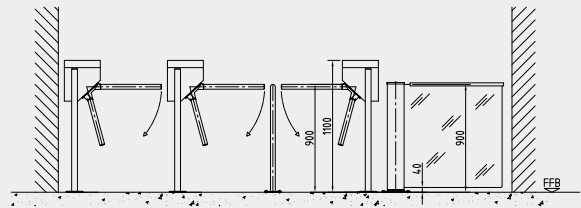
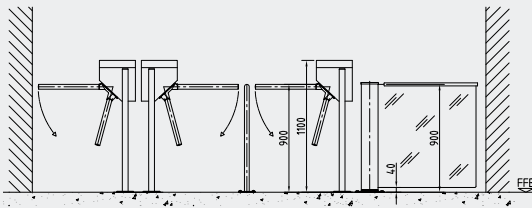
Substructure

Installation diagrams

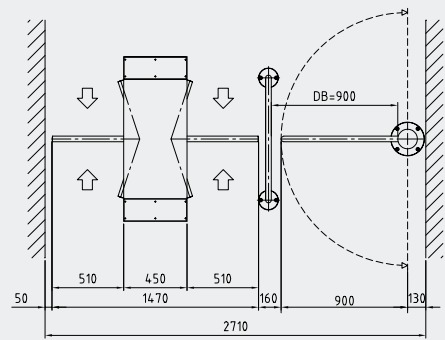
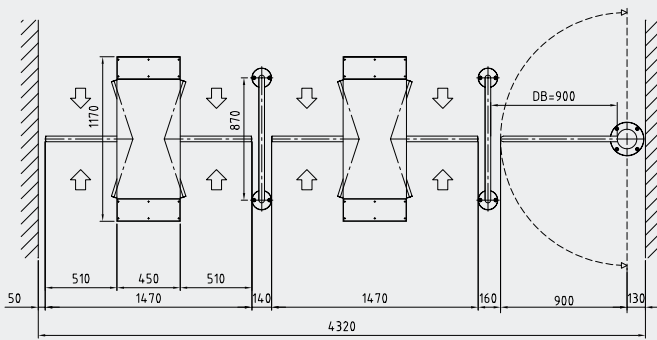
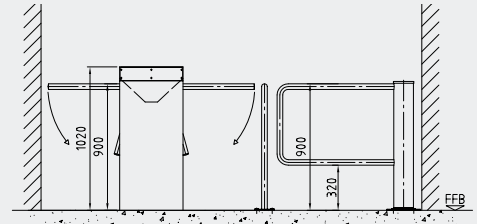
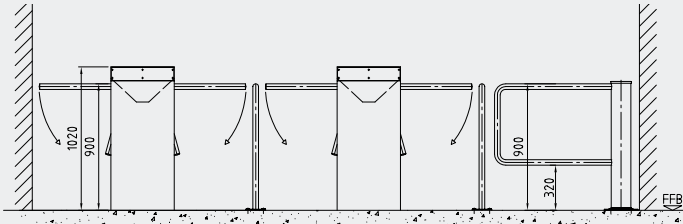
TPB-E01 examples



TPB-S03 example



TPB-L06 example



Our Sustainability Commitment

We are committed to foster a sustainable development along our entire value chain in line with our economic, environmental and social responsibilities toward current and future generations. Sustainability at product level is an important, future-oriented approach in the field of construction. In order to give quantified disclosures of a product's environmental impact through its entire life cycle, dormakaba provides Environmental Product Declarations (EPD), based on holistic life cycle assessments.

www.dormakaba.com/sustainability



Our offering

Access Automation Solutions

Entrance Automation
Entrance Security



Access Control Solutions

Electronic Access & Data
Escape and Rescue Systems
Lodging Systems



Access Hardware Solutions

Door Closers
Architectural Hardware
Mechanical Key Systems



Services

Technical Support
Installation and commissioning
Maintenance and Repair



WN 5470451532, EN, 11/2024
Subject to technical modifications.



dormakaba.com

dormakaba
International Holding AG
Hofwissenstrasse 24
CH-8153 Rümlang
T +41 44 818 90 11
info@dormakaba.com
dormakaba.com