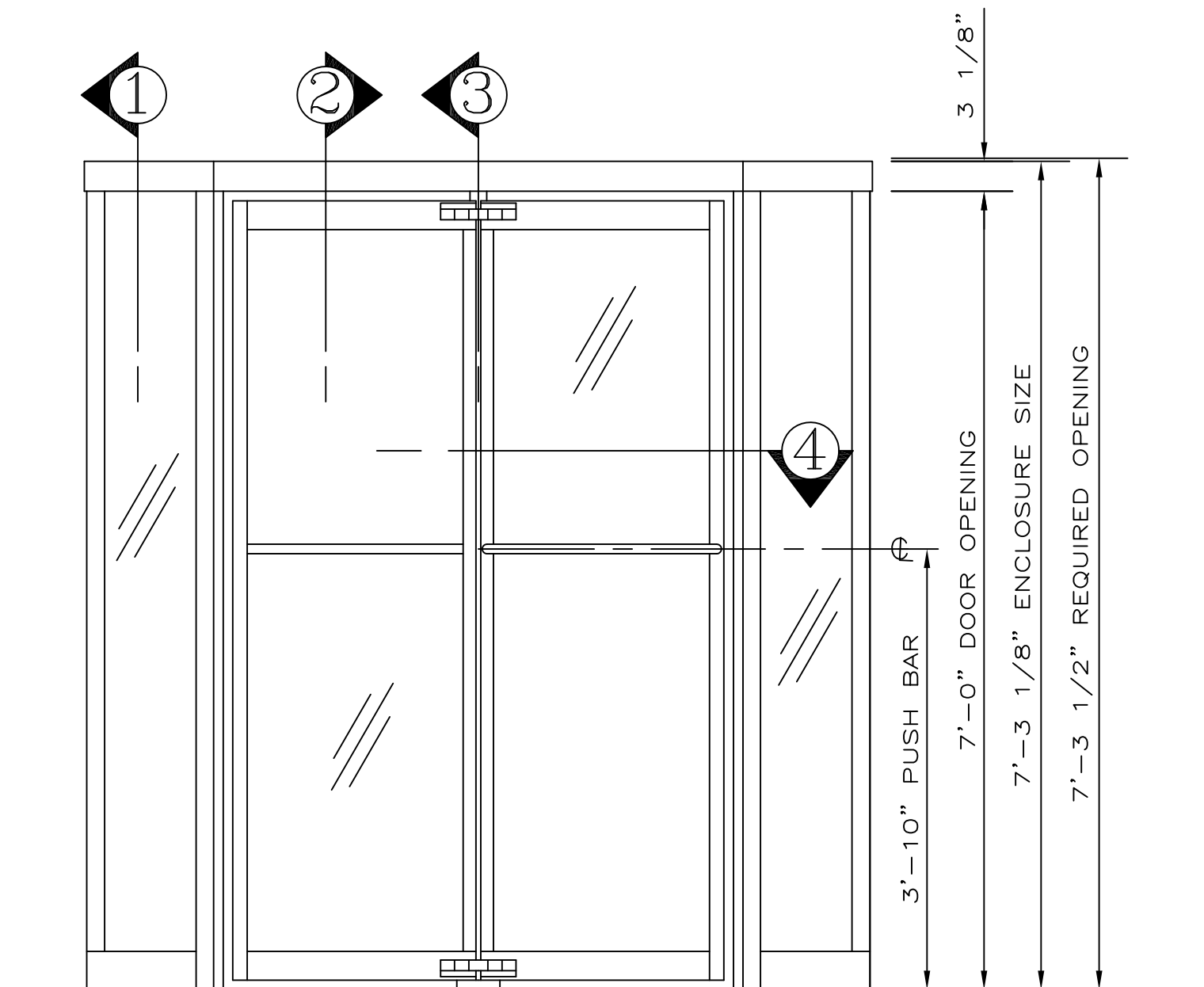
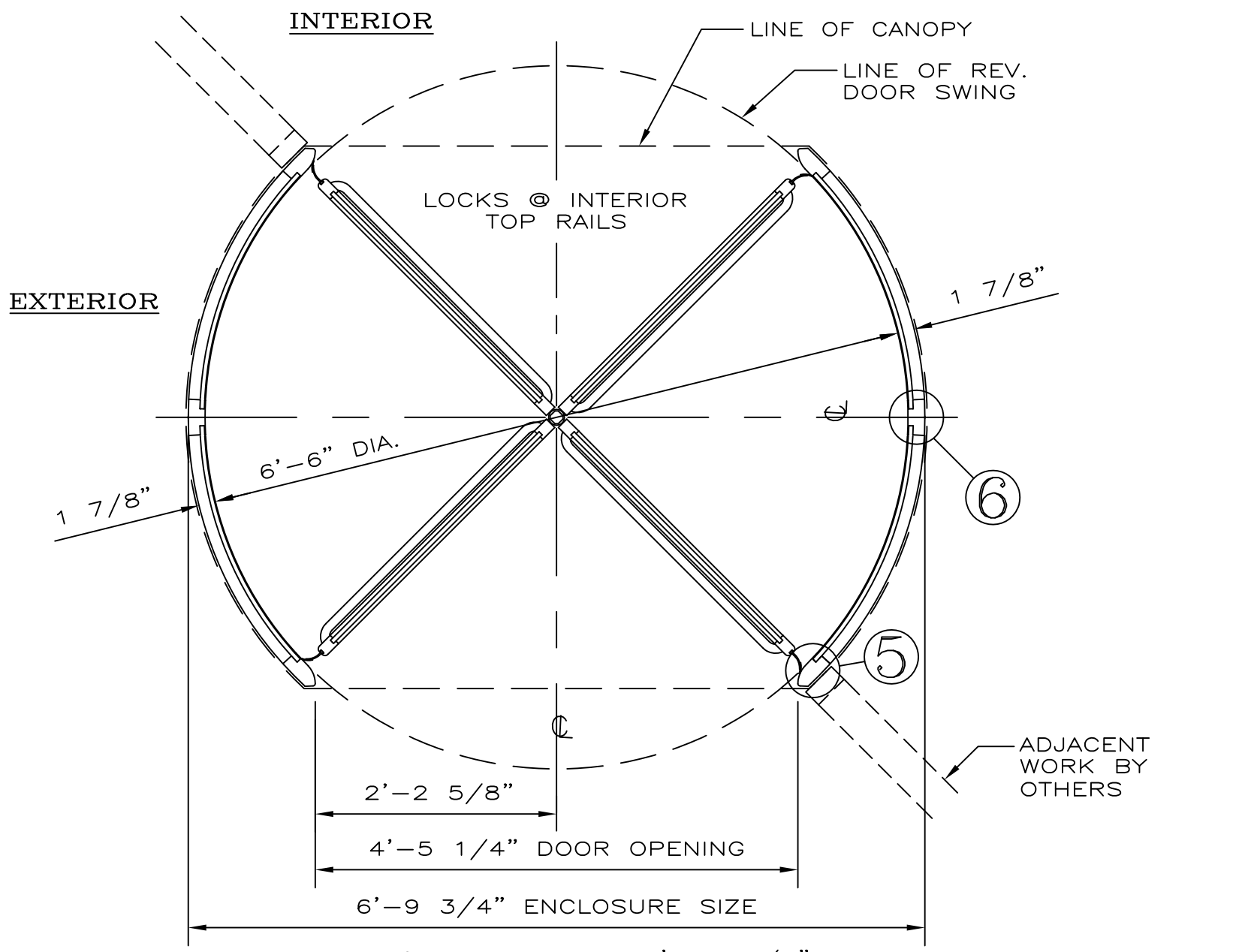


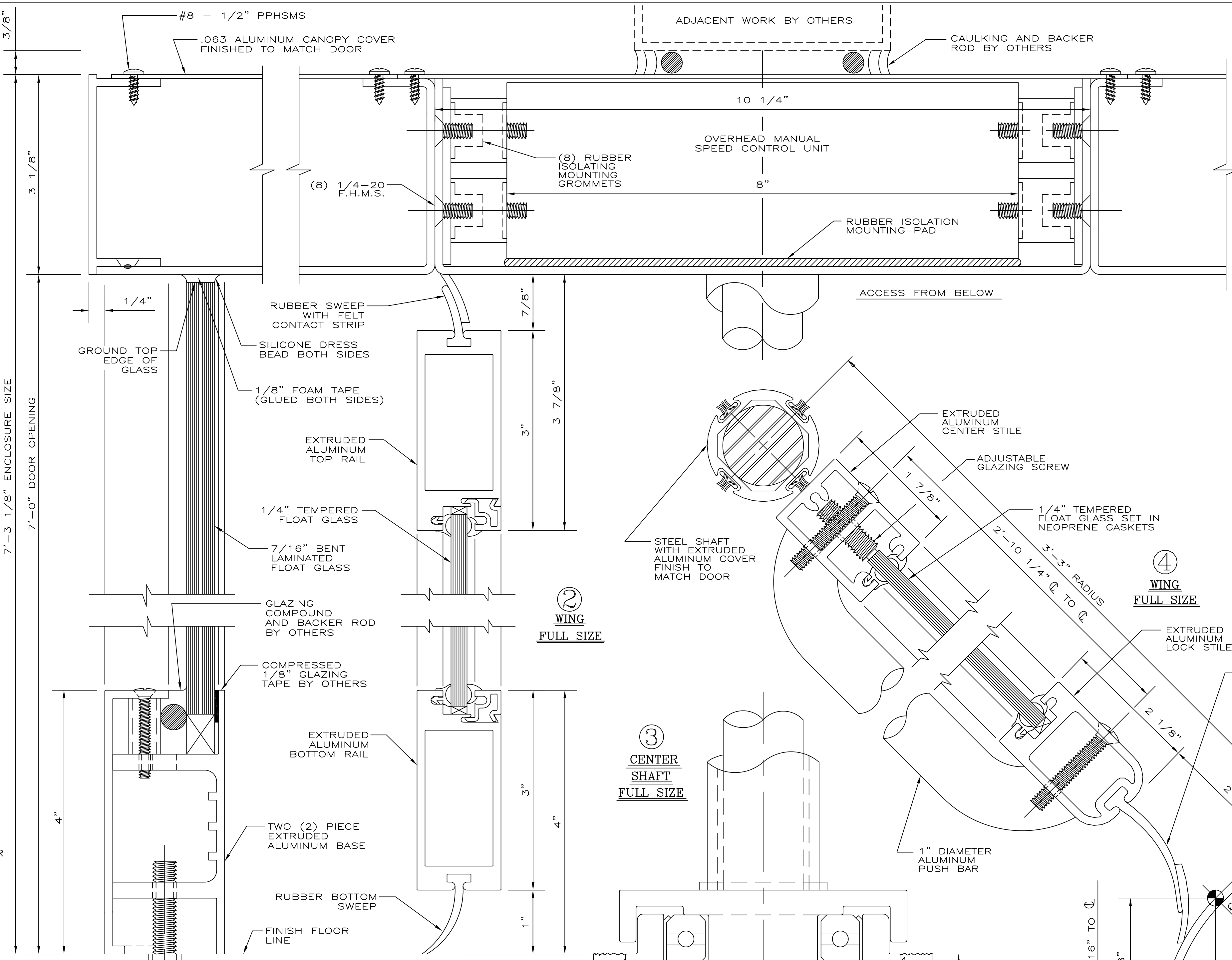
**CANOPY REINFORCING PLAN**  
SCALE: 3/4" = 1'-0"



**ELEVATION**  
ONE (1) DOOR REQUIRED THUS  
SCALE: 3/4" = 1'-0"



**PLAN**  
SCALE: 3/4" = 1'-0"



**ENCLOSURE WALL FULL SIZE**

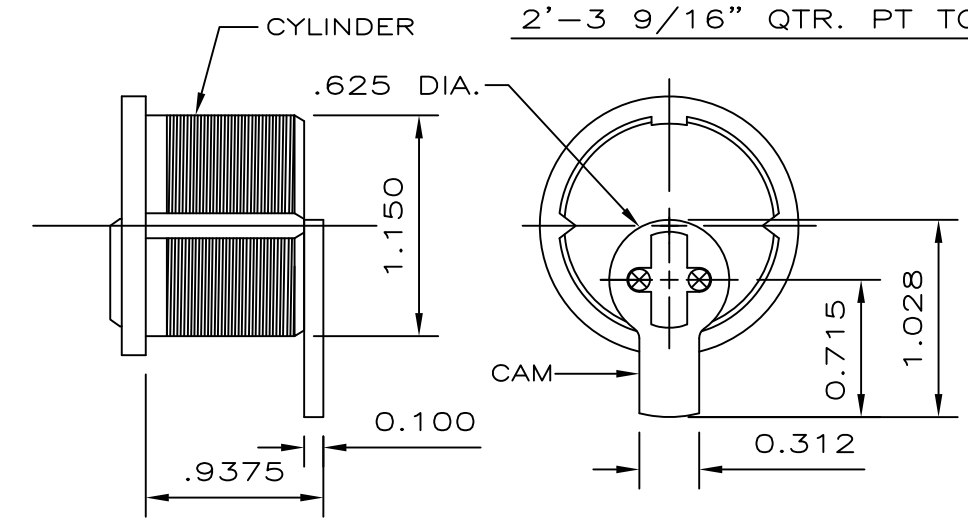
**CONTRACTOR NOTE:**  
CONTRACTOR TO PROVIDE A 5 5/16" x 2" DEEP CUT OUT TO ACCEPT FLOOR MOUNTED PIVOT BEARING.

**GENERAL NOTES**  
CONTRACTOR SHOULD CHECK & TAKE NOTE OF ALL DIMENSIONS AS C.D.C. (CRANE DOOR CO.) ASSUMES NO RESPONSIBILITY BEYOND MANUFACTURING IN ACCORDANCE WITH THE DIMENSIONS SHOWN ON SHOP DRAWINGS.

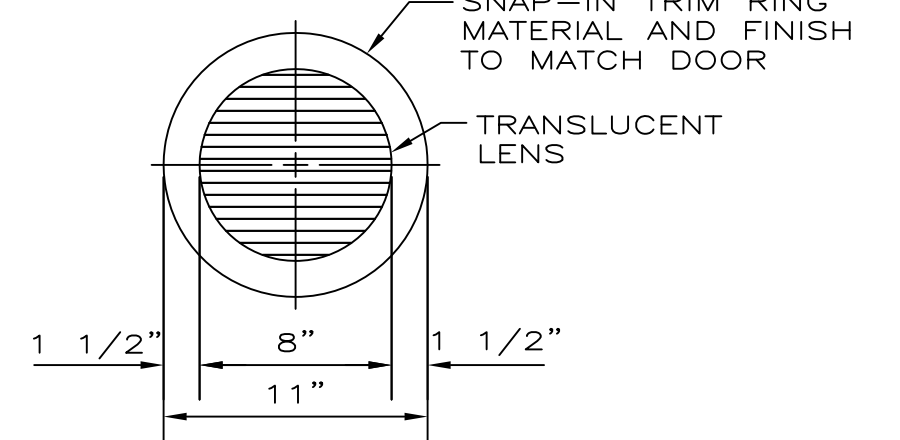
**HARDWARE SCHEDULE**

- OVERHEAD MANUAL SPEED CONTROL UNIT.
- FLOOR MOUNTED PIVOT BEARING ASSEMBLY.
- FULVIEW II PANIC PROOF BOOK-FOLD MECHANISM IN COMPLIANCE WITH ALL APPLICABLE REGULATIONS.
- LOCKS: SPECIAL REV. DOOR TYPE TWO (2) REQUIRED INSTALLED AT TOP RAILS OF TWO ADJACENT WINGS FOR INTERIOR LOCKING.
- CYLINDERS: STANDARD SIZE MORTISE TYPE, TWO (2) REQUIRED PER REV. DOOR UNIT, TO BE SUPPLIED BY OTHERS TO C.D.C. FOR SHOP INSTALLATION.
- PUSH BARS: 1" DIA. ALUMINUM, FINISH TO MATCH DOOR.
- CEILING LIGHTS: TWO (2) SPECIAL FLUORESCENT REV. DOOR TYPE, COMPLETE WITH LENS & SNAP-IN RING, FC8T9 CIRCLINE LAMP & 110 V.A.C. WIRING NOT BY C.D.C.

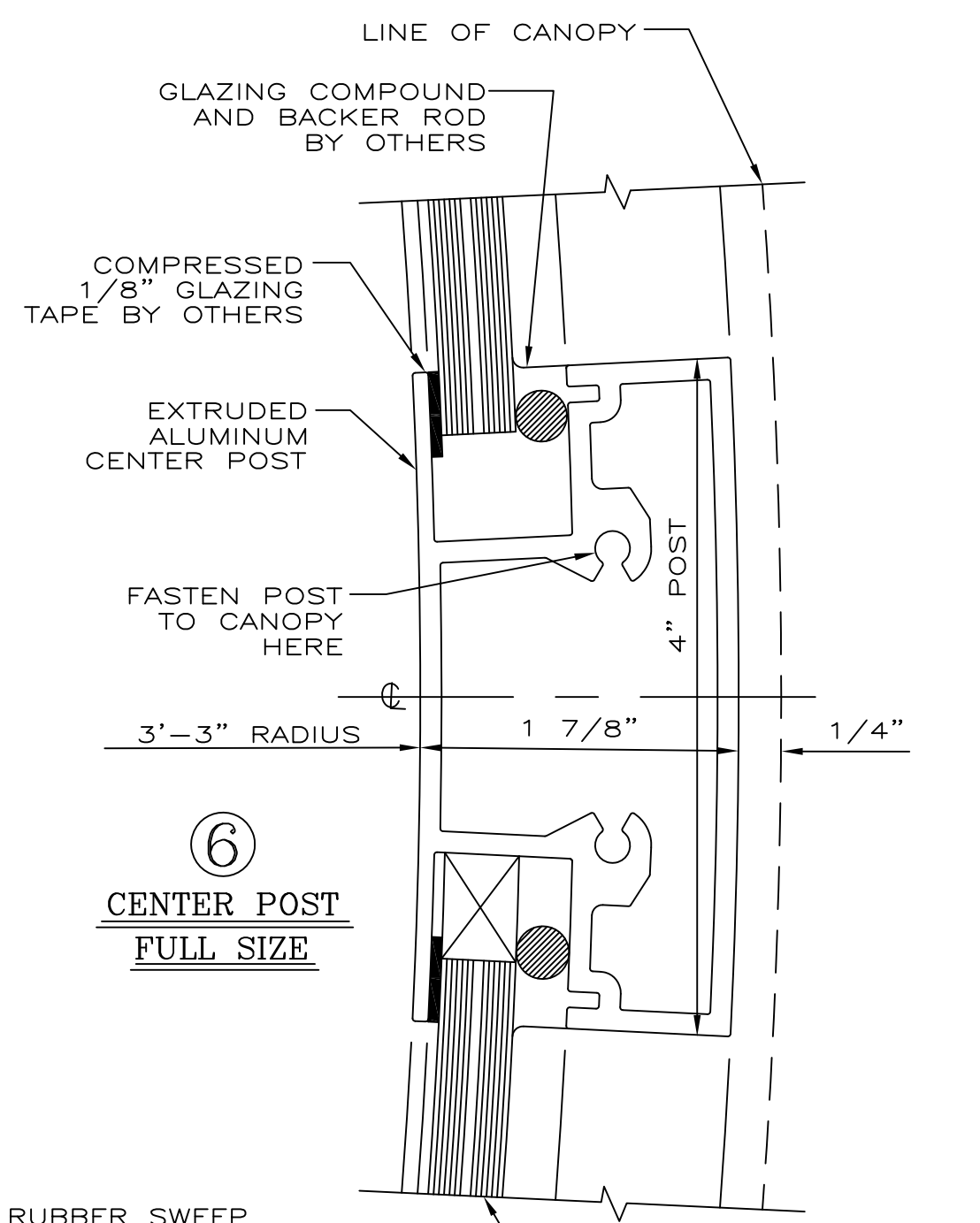
**INSTALLER NOTE:**  
BOOK-FOLD TENSION IS NOT PRESET; IT MUST BE ADJUSTED TO MEET BUILDING CONDITIONS.



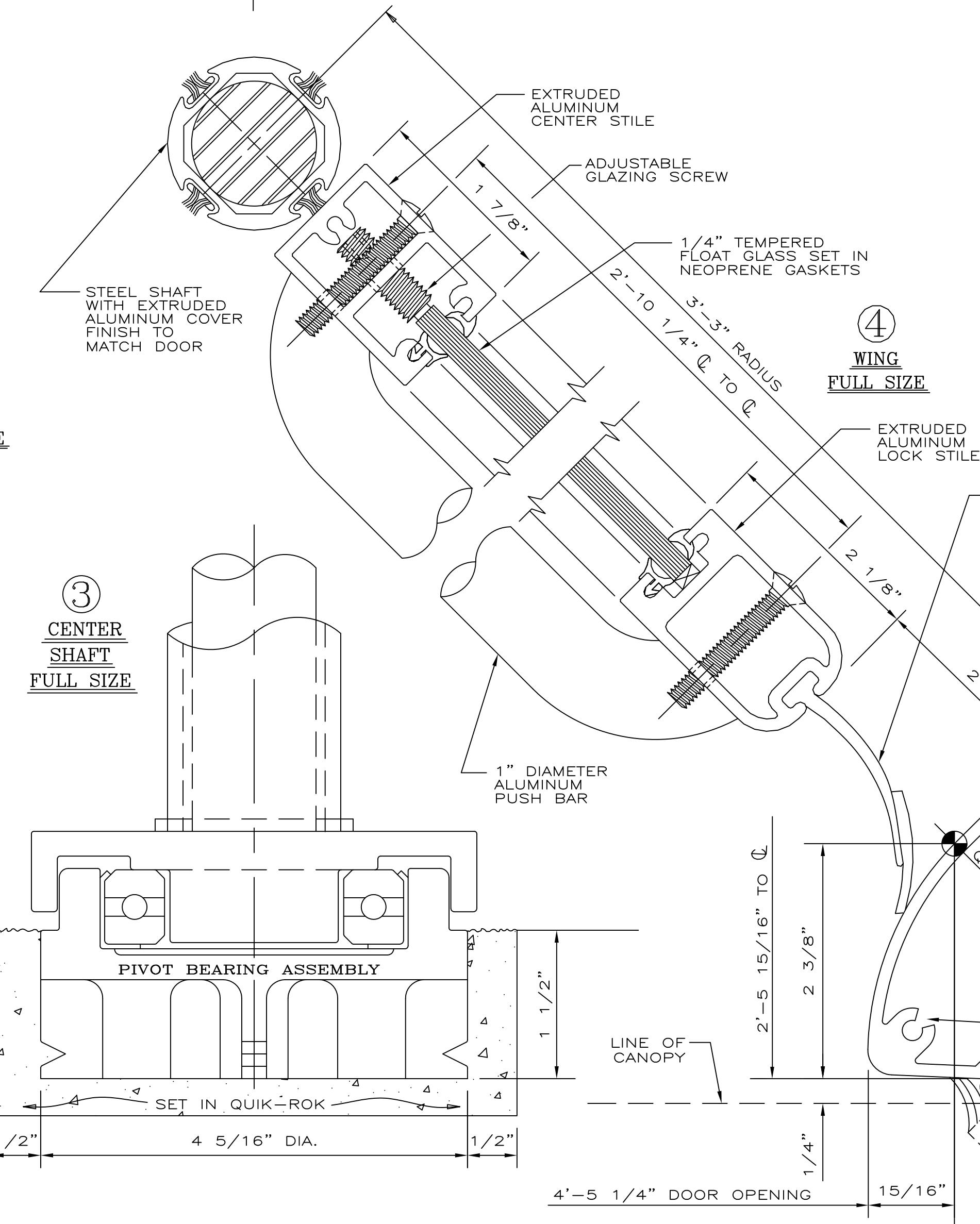
**TYPICAL CYLINDER AND "STRAIGHT ARM" TYPE CAM REQUIRED SUPPLIED BY OTHERS**  
FULL SIZE  
NOTE: ADAMS-RITE CAM MAY BE SUBSTITUTED



**DETAIL FLUSH MOUNTED CEILING LIGHT FIXTURE**  
SCALE: 1/8" = 1"



**CENTER POST FULL SIZE**



**WING FULL SIZE**

**CENTER SHAFT FULL SIZE**

**QUARTER POST FULL SIZE**

NOTE: PRIOR TO FABRICATION, SHOP DRAWINGS AND FINISH SAMPLES MUST BE FULLY APPROVED AND RETURNED TO C.D.C.

<b>CRANE DORMA</b>	
REVOLVING DOORS™	
PHONE: 847-295-2700	FAX: 847-295-5288
SCALE: AS SHOWN	JOB NAME:
DRAWN BY: JNP	REVISIONS:
LOCATION:	PLEASE ADVISE
ARCHITECT:	PLEASE ADVISE
CONTRACTOR:	PLEASE ADVISE
SUB-CONTRACTOR:	PLEASE ADVISE
MFG. REPRESENTATIVE:	PLEASE ADVISE
FAB. CHECK:	HOW CHECK:
CHECKED BY:	NOTES:
ORD. NO.:	X
DATE: 2009	SHEET 1 OF 1
DRAWING NO.: AL 2000 A	