

# Activation sensor

## Automatic sliding and swinging doors



### Features & benefits

- Energy savings due to unidirectional detection capability.
- Narrow and wide antennae included.
- Immunity setting helps screen rain, snow, radio frequency, and header vibration.
- Motion detection feature capable of detecting traffic moving as slow as 2"/s.
- Compact, low profile design.

### Description

This motion sensor is designed for the activation of automatic pedestrian doors. Universally compatible with all makes and models of swinging, sliding, and revolving automatic doors, this unit has a mounting height of 13' to 16.5', making it ideal for use on large-format doors in industrial environments.

Unidirectional radar increases energy efficiency by detecting approaching traffic while ignoring motion away from the door.

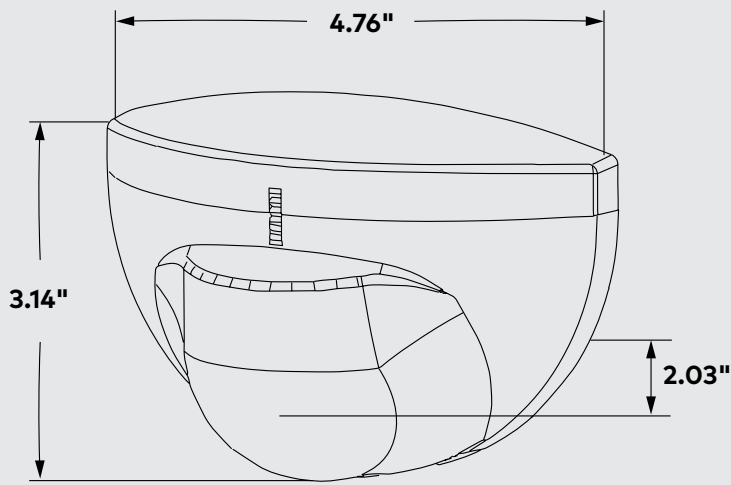
### Related products



## Technical specifications

Technology	Microwave doppler radar
Detection mode	Motion
Transmitter frequency	24.150 GHz
Transmitter radiated power	< 20 dBm EIRP
Transmitter power density	< 5 mW/cm <sup>2</sup>
Minimum detection speed	2"/s (measuring based on optimal conditions)
Mounting height	
Eagle	72"-156" (6'-13')
Eagle HM	156"-198" (13'-16.5')
Supply voltage	12 – 24 VAC ±10%; 12 – 24 VDC 30% / –10%
Mains frequency	50 – 60 Hz
Maximum power consumption	< 2 W

DX3336-010 dimensional drawing



© dormakaba 2024 Information on this sheet is intended for general use only. dormakaba reserves the right to alter designs and specifications without notice or obligation.

**Any questions? We would be happy to advise you.**  
Contact us at: 1-800-265-6630