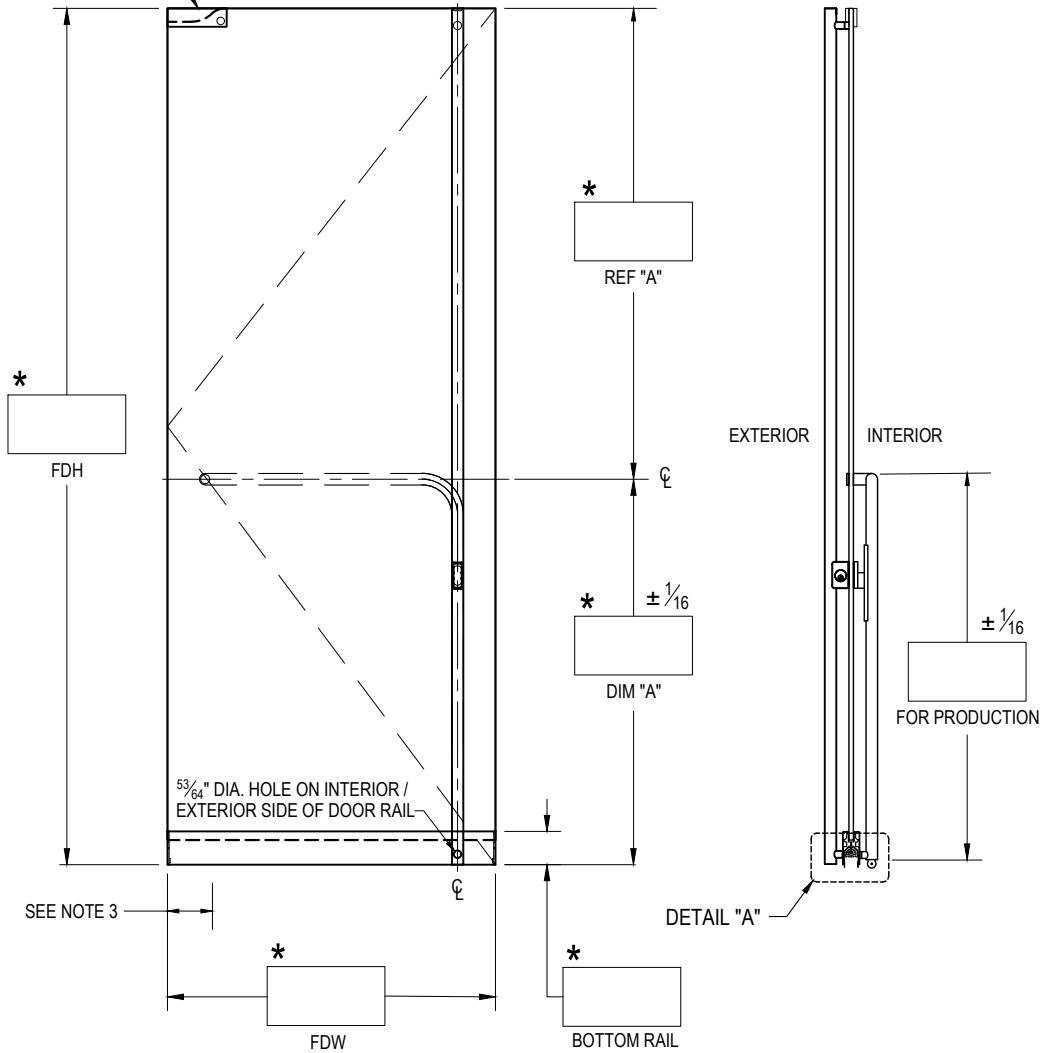


PT-20/22
GLASS FAB

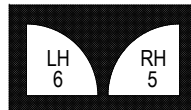


EXTERIOR ELEVATION
SCALE: 5/8" = 1'-0"

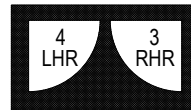
SECTION
SCALE: 5/8" = 1'-0"

NOTES:

1. RAIL HEIGHT AND (*) DIMENSIONS PROVIDED BY CUSTOMER.
2. ALL DIMENSIONS ARE IN INCHES.
3. NOTE PIVOT REFERENCE DIMENSIONS:
 - 2-3/4" FROM SIDELITE & FRAME
 - 3-1/2" FROM WALL.



EXTERIOR



EXTERIOR

HOUSING: **DG1100F EXIT PART #**

HANDING: **SWING #4 SHOWN/LHR EXTERIOR VIEW**

TOP HARDWARE: PT20 PT22

BOTTOM RAIL: 2-1/2" 3-5/8" 4" 6" 10"

FINISH: _____

GLASS THICKNESS: 1/2" 3/4" QTY. OF DOORS: _____

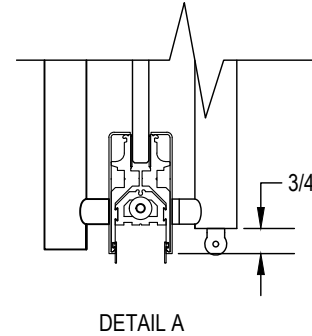
NOTES: _____

STRIKE OPTION:

FLOOR MOUNTED

THRESHOLD MOUNTED

THRESHOLD WIDTH _____



FDH = FINISHED DOOR HEIGHT
 FDW = FINISHED DOOR WIDTH
 GH = GLASS HEIGHT
 GW = GLASS WIDTH
 b = BOTTOM RAIL DEDUCTION

CUSTOMER NAME: _____

CUSTOMER APPROVAL: _____

P.O. # _____

DOOR MARK: _____

SALES ORDER # _____

GLASS THICKNESS: _____

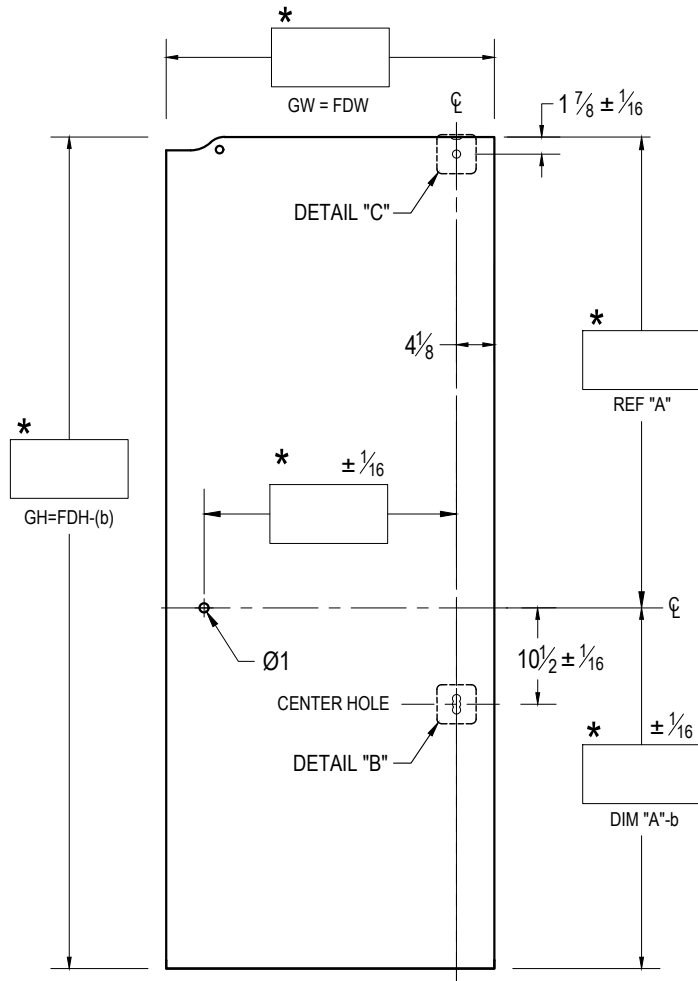
DATE: _____

dormakaba

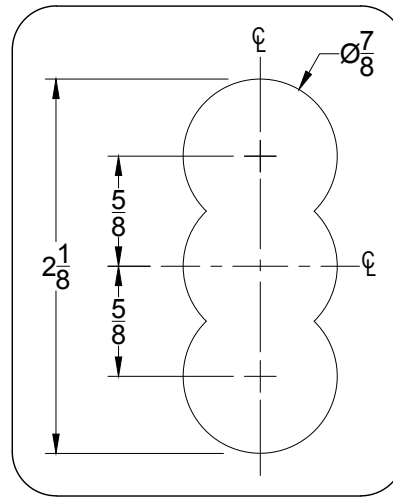
DORMA USA, Dorma Drive, Reamstown, PA 17567-0411 PH: 800-523-8483

DRAWING TITLE: **DG1100P-F-BP**

GLASS DETAILS

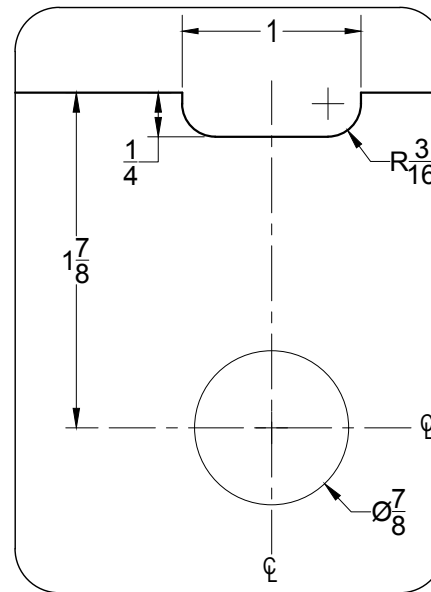


EXTERIOR ELEVATION
SCALE: 5/8" = 1'-0"



DETAIL "B"

SCALE: 1:1



DETAIL "C"

SCALE: 1:1

Glass Height Equation: $GH = FDH - (b)$					
Rail Height	2-1/2"	3-5/8"	4"	6"	10"
Deduction	1.8125	2.6875	2.6875	5.0625	5.0625

FDH = FINISHED DOOR HEIGHT
FDW = FINISHED DOOR WIDTH
GH = GLASS HEIGHT
GW = GLASS WIDTH
b = BOTTOM RAIL DEDUCTION

CUSTOMER NAME:

CUSTOMER APPROVAL:

P.O. #

DOOR MARK:

SALES ORDER #

GLASS THICKNESS:

DATE:

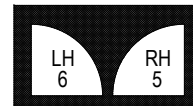
dormakaba

DORMA USA, Dorma Drive, Reamstown, PA 17567-0411 PH: 800-523-8483

DRAWING TITLE: **DG1100P-F-BP**

NOTES:

1. RAIL HEIGHT AND (*) DIMENSIONS PROVIDED BY CUSTOMER.
2. ALL DIMENSIONS ARE IN INCHES.
3. ALL HOLE SIZES AND LOCATIONS MUST BE HELD TO +/- 1/16"
4. DO NOT CHAMFER EDGES OF HOLES.



EXTERIOR



EXTERIOR