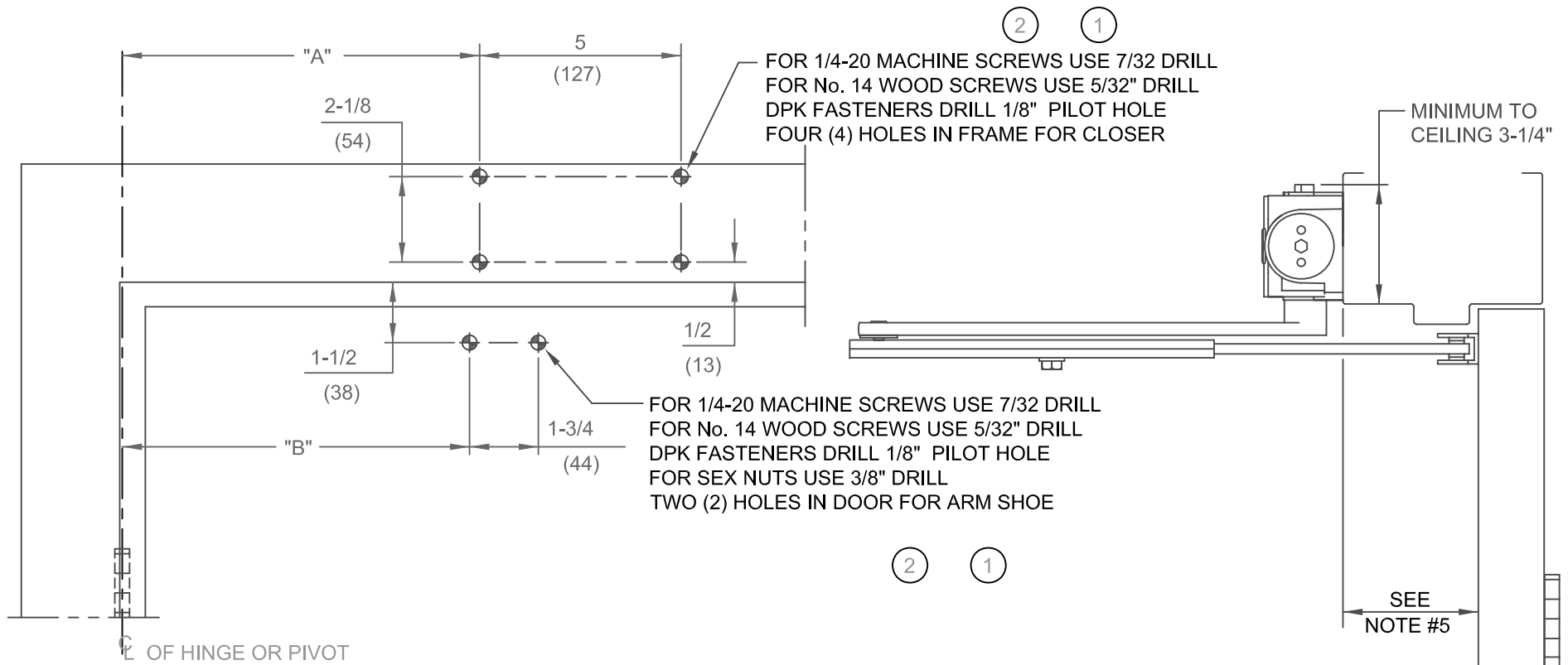


**NOTES:**

1. DO NOT SCALE DRAWING.
2. LEFT HAND DOOR SHOWN.
3. DIMENSIONS ARE IN INCHES/(MM).
4. CAUTION: SEX NUTS ARE REQUIRED FOR ATTACHMENT OF COMPONENTS TO UNREINFORCED DOORS AND TO WOOD OR PLASTIC FACED COMPOSITE TYPE FIRE DOORS, UNLESS AN ALTERNATIVE METHOD IS IDENTIFIED IN THE INDIVIDUAL DOOR MANUFACTURER'S LISTINGS.
5. SEE CATALOG FOR REVEAL INFORMATION.
6. MAXIMUM OPENING 180°.
7. SEE CATALOG FOR HOLD OPEN RANGE.

No.	REVISIONS	DATE
2	ADDED DPK FASTENERS	6/21/05
3	CHANGED TITLE BLOCK	1/09/03

ANGLE OF OPENING	DIM. "A" CLOSER	DIM. "B" ARM SHOE
TO 100°	$\frac{12-7}{8}$ (327)	$\frac{12-5}{8}$ (321)
OVER 100°	$\frac{8-7}{8}$ (225)	$\frac{8-5}{8}$ (219)



DOOR CLOSER MODELS: 8916, 8956 AF89J, PH, PHP (3)  
TOP JAMB INSTALLATION (PUSH SIDE MOUNT)



DORMA Architectural Hardware  
REAMSTOWN, PENNSYLVANIA 17567  
TEMPLATE No. 8900-4 (3)