

# Universal & EA patch fittings

for tempered glass  
assemblies



# Universal & EA patch fittings

## Contents

<b>03</b>	Overview	<b>26</b>	<b>Accessories</b>
<b>04</b>	Patch fitting selection chart Standard assembly types	<b>27</b>	Floor bearings and floor socket Pivots
	<b>Universal Patch Fittings</b>	<b>28</b>	Fixing plates, threaded rod & cylinder
<b>05</b>	General information	<b>29</b>	Glass preparation–patch lock
<b>06</b>	Type selection	<b>30</b>	<b>Fin usage and assembly</b>
<b>07</b>	Universal patch fittings	<b>31</b>	<b>Mechanical channel</b>
<b>09</b>	Universal connectors		Mechanical channel, clamping fittings
<b>14</b>	Universal glass preparation details		Clip-on cover profile, end caps
<b>19</b>	Universal construction	<b>32</b>	<b>Safety-related information</b>
	<b>EA Patch Fittings</b>		
<b>20</b>	General Information		
<b>22</b>	EA patch fittings		
<b>24</b>	Top centers for wood and steel frames		
<b>25</b>	EA glass preparation details		



# Patch fittings for tempered glass assemblies

dormakaba offers one of the most comprehensive ranges of patch fittings available today, providing tempered glass assemblies that are technically sound and visually attractive. This range gives the architect or designer a wide variety of creative options for expression with tempered glass—either internally or externally.

All dormakaba fittings are based on a modular system, consisting of a base unit, functional inserts, and clip-on covers in a wide range of finishes. Glass preparations are quick and easy.

Quality materials and thorough workmanship guarantee a long service life and a reflection of excellence for years to come.

In addition to standard patch fitting solutions, the dormakaba family may have additional products available to address unusual, curved, angled or other application challenges. Please contact our Customer Service or Technical Service teams for assistance with application solutions not found in dormakaba USA literature or price lists. Additional cost and lead-time may be required.

## Universal

With their broad range of options and configurations, Universal patch fittings are ideal for almost any design. Tempered glass assemblies are provided with fixed parts in a variety of arrangements—with corner fittings or fin fittings at different angles, and with double or single-action doors in single-leaf or double-leaf designs.



## EA

EA patch fittings are characterized by their slim, neat shape and skillful Euro hinge design. This comprehensive range of fittings allows the transparent elegance of single-acting doors to reach their full potential—whether hung in frames or integrated into tempered glass openings.



## General care instructions

The surface finishes of the fittings are not maintenance-free and should be cleaned according to their material and design.

- For metallic surfaces (anodized finishes, stainless steel), please use only appropriate cleaning agents without abrasive additives.
- For varnished surfaces, please use only appropriate solvent-free cleaning agents.
- Brass surfaces (without surface protection) have to be treated occasionally with an appropriate maintenance agent to avoid tarnishing.

# Patch fitting selection chart

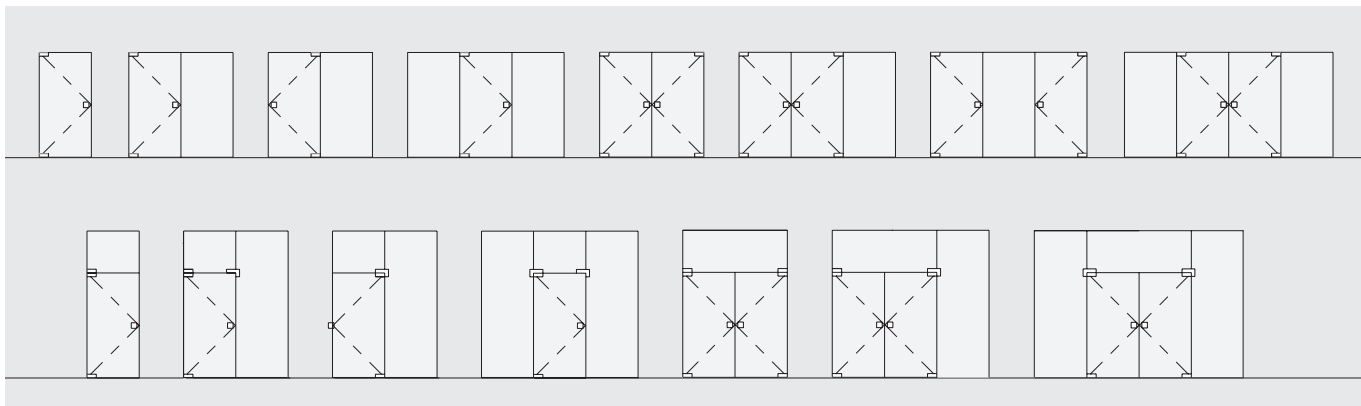
Applications & features	Universal	EA
For external assemblies	+++	+++
For internal assemblies	+++	+++
For standard tempered glass applications	+++	+++
For individually designed assemblies with corner fittings, fin fittings, etc.	+++	+
For double-acting doors	•	–
For single-acting doors	•	•
Glass thickness – in (mm)	3/8" & 1/2" (10 & 12) <sup>1</sup>	3/8" & 1/2" (10 & 12) <sup>1</sup>
Max. door weight – lb (kg)	275 lb (125 kg)	220 lb (100 kg)
Max. door width – in (mm)	48" (1219)	43" (1092)
<b>Materials &amp; finishes*</b>		
Aluminum, silver anodized, EV1 (101)	•	◦
Similar to satin stainless (107)	–	◦
Aluminum, dark bronze anodized (108)	•	◦
Black anodized (109)	•	–
Aluminum, EV1 (114)	–	–
Special anodizing (199)	◦	◦
Special clad plated (299)	◦	–
Brass, polished (503)	◦	◦ <sup>2</sup>
Satin brass w/o lacquer (599)	◦	–
Satin bronze no lacquer (600)	◦	–
Polished bronze w/o lacquer (601)	◦	–
Stainless steel, satin (700)	•	–
Stainless steel, polish (701)	•	–
Special paint or powder coating (999)	◦ <sup>2</sup>	◦

- +++ Suitable
- + Partially Suitable
- Standard
- Optional
- Not available
- <sup>1</sup> Under certain circumstances also 5/8" (15) and 3/4" (19) glass thickness
- <sup>2</sup> Available upon request

**NOTE:**  
All measurements are shown in inches followed by (millimeters); for example: 3/8" (10).

\*Not all finishes are available with all products.

## Standard assembly types



# Universal

... as the name says.

With their broad range of options and configurations, Universal patch fittings are ideal for almost any design. Tempered glass assemblies are provided with fixed parts in a variety of arrangements—with corner fittings or fin fittings at different angles, and with double or single-acting doors in single-leaf or double-leaf designs.

## **Easy glass preparation, secure mounting**

dormakaba understands the special properties of glass as a building material, designing fittings that require only minimal glass preparation—a quick and easy cut-out with additional holes. Careful consideration and positive measures have been taken to create the maximum clamping surface with optimum clamping efficiency.

## **Suitable for common monolithic glass thicknesses**

Universal fittings are available for 3/8" (10) through 3/4" (19) for most fittings.

## **Reliability built in**

Quality materials and thorough workmanship mean that Universal fittings have the features necessary to meet the most demanding specifications. The fittings are designed to withstand large and heavy doors up to a maximum weight of 275 lb (125 kg). Rails are available for heavier doors (330 lb [150 kg] maximum), wider doors (48" [1219] maximum), and high traffic doors.

## **Short delivery times**

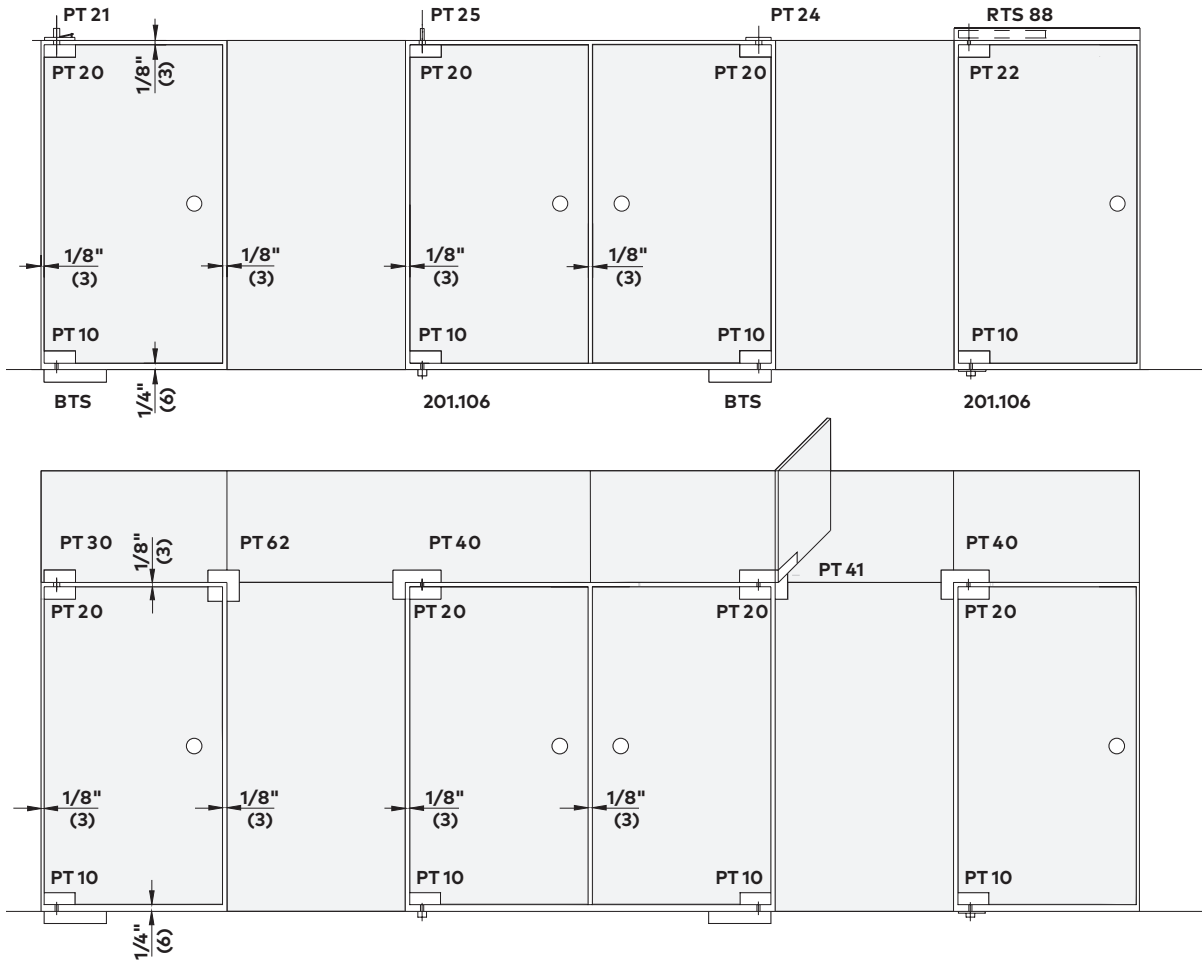
Most common patch fittings and finishes are available quickly.



# Type selection

Tempered glass assemblies with fittings 2-3/4" (70) pivot point.

For all standard assembly types, see page 5.



- BTS** Floor closer
- PT** Center hung door fittings
- RTS** Header/Transom closer (see RTS Series Technical Information for details)

**Max. door weight**  
275 lb (125 kg)

**Max. door width**  
48" (1219)

For door weights up to 330 lb (150 kg) and widths up to 48" (1219), DRS door rails should be used.

**Torque for mounting screws**

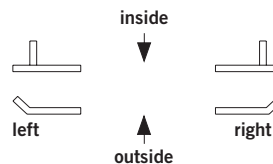
**Screws M 6**  
7.5 lb-ft / 10 Nm (4)\*

**Screws M 6**  
11 lb-ft / 15 Nm (5)\*

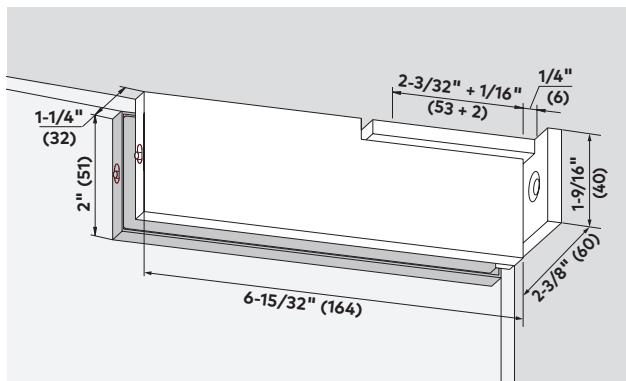
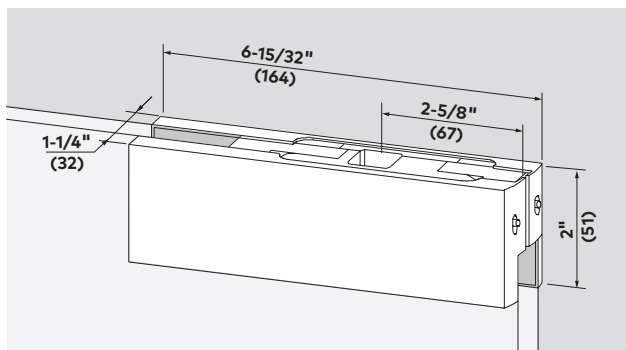
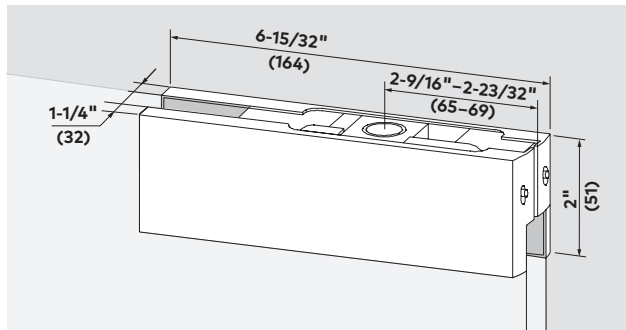
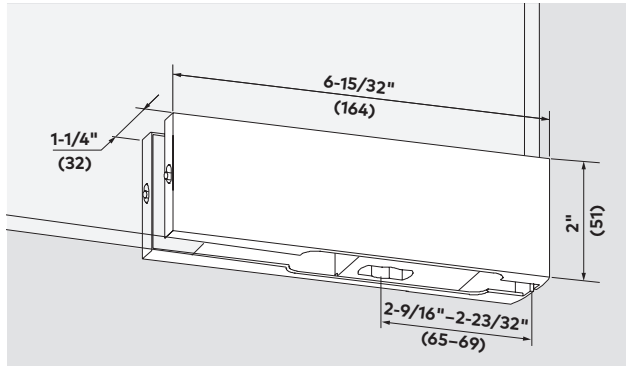
**Screws M 8**  
15 lb-ft / 20 Nm (5)\*

\*Allan key size

**NOTE:**  
If angle fittings or fin fittings are used, "Left" or "Right" has to be determined by view from outside and above.



# Universal patch fittings



Product description	Glass thickness	Ref. no.
---------------------	-----------------	----------

<b>PT 10 bottom patch</b> with insert for floor closer, pivot, or round pivot Ø 9/16" (14)	3/8" (10)	<b>833.300</b>
	1/2" (12)	<b>833.100</b>
	5/8" (15)	<b>833.301</b>
	3/4" (19)	<b>833.101</b>

**Pivot location**  
2-3/4" (70)

**Weight in lb (kg)**

Aluminum	1.241 (0.564)
Brass	1.496 (0.680)
Stainless steel	1.456 (0.662)

<b>PT 20 top patch</b> with safety insert for top pivot Ø 19/32" (15) used with PT21	3/8" (10)	<b>833.310</b>
	1/2" (12)	<b>833.110</b>
	5/8" (15)	<b>833.311</b>
	3/4" (19)	<b>833.111</b>

**Pivot location**  
2-3/4" (70)

**Weight in lb (kg)**

Aluminum	1.049 (0.477)
Brass	1.305 (0.593)
Stainless steel	1.265 (0.575)

<b>PT 22 top patch</b> with insert for RTS concealed overhead closer	3/8" (10)	<b>833.312</b>
	1/2" (12)	<b>833.112</b>
	5/8" (15)	<b>833.313</b>
	3/4" (19)	<b>833.113</b>

**Pivot location**  
2-3/4" (70)

**Weight in lb (kg)**

Aluminum	1.272 (0.578)
Brass	1.529 (0.695)
Stainless steel	1.489 (0.677)

<b>PT 29 top patch</b> with pivot fixing plate, wall mount	3/8" (10)	<b>833.314</b>
	1/2" (12)	<b>833.109</b>
	5/8" (15)	<b>N/A</b>
	3/4" (19)	<b>N/A</b>

**Pivot location**  
2-3/16" (55)

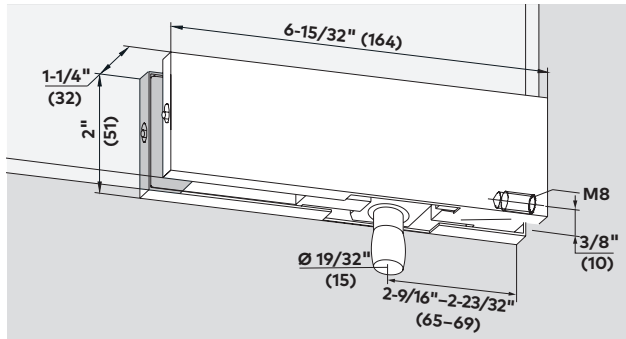
**Weight in lb (kg)**

Aluminum	1.197 (0.544)
Brass	1.522 (0.692)
Stainless steel	1.483 (0.674)

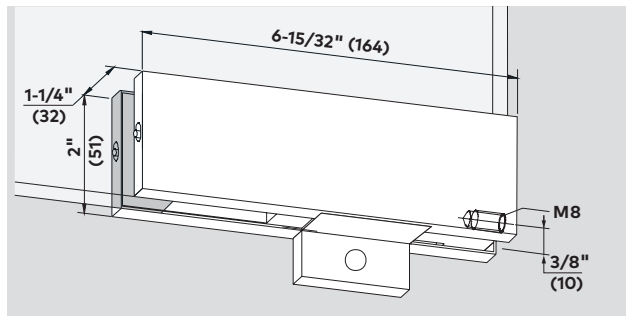
**Max. door width**  
39-3/8" (1000)

**Max. door weight**  
154 lb (70 kg)

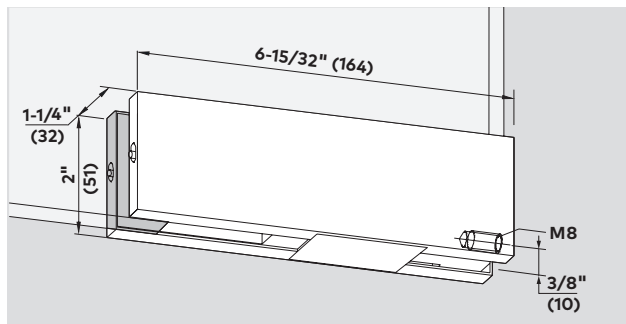
# Universal patch fittings



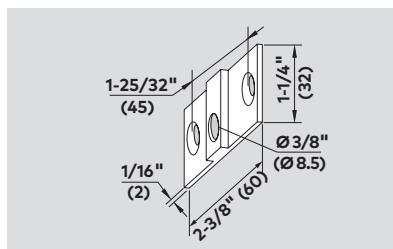
Product description	Glass thickness	Ref. no.
<b>PT 30 transom patch</b>	3/8" (10)	<b>833.330</b>
with pivot Ø 19/32" (15),	1/2" (12)	<b>833.131</b>
with M8 tapped hole at side	5/8" (15)	<b>833.321</b>
	3/4" (19)	<b>833.121</b>
<b>Weight in lb (kg)</b>		
Aluminum	1.162 (0.528)	
Brass	1.439 (0.654)	
Stainless steel	1.399 (0.636)	



<b>PT 30 transom patch</b>	3/8" (10)	<b>833.332</b>
with stop insert, with M8	1/2" (12)	<b>833.132</b>
tapped hole at side	5/8" (15)	<b>833.333</b>
	3/4" (19)	<b>833.133</b>
<b>Weight in lb (kg)</b>		
Aluminum	1.162 (0.528)	
Brass	1.439 (0.654)	
Stainless steel	1.276 (0.580)	

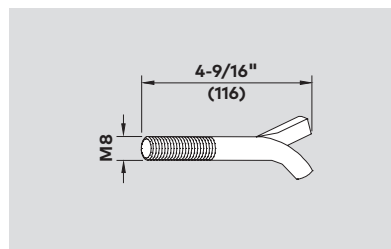


<b>PT 30 transom patch</b>	3/8" (10)	<b>833.334</b>
with blank insert, with M8	1/2" (12)	<b>833.134</b>
tapped hole at side	5/8" (15)	<b>833.335</b>
	3/4" (19)	<b>833.135</b>
<b>Weight in lb (kg)</b>		
Aluminum	1.142 (0.519)	
Brass	1.419 (0.645)	
Stainless steel	1.256 (0.571)	



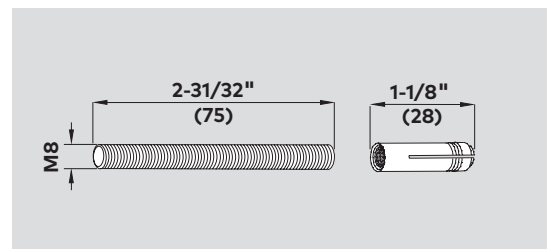
**Fixing plate**  
for transom patch PT 30  
Ref. no. **903.128**

**Weight in lb (kg)**  
Aluminum 0.035 (0.016)  
Brass 0.084 (0.038)  
Stainless steel not available,  
Satin chrome on brass supplied.



**Wall anchor**  
with thread M 8 for  
transom patch PT 30

Ref. No. **901.133**  
**Weight in lb (kg)**  
0.088 (0.040)

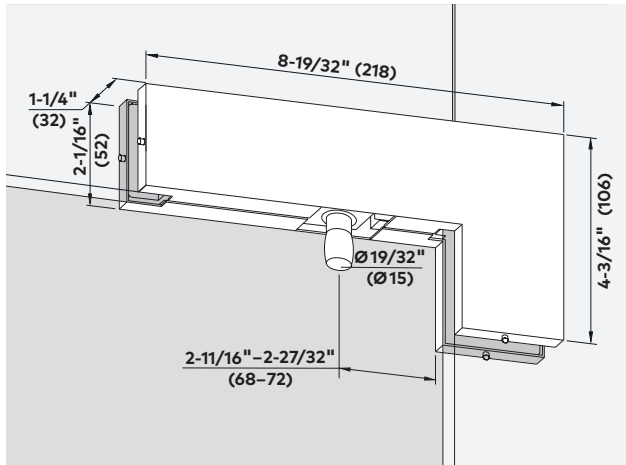


**Threaded rod**  
M 8 with plug for transom  
patch PT 30

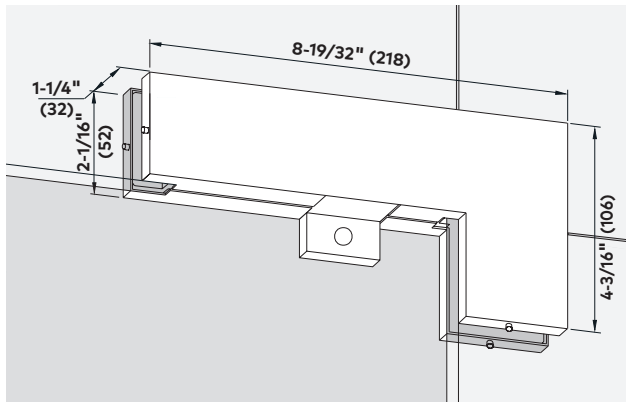
Ref. No. **901.134**  
**Weight in lb (kg)**  
0.070 (0.032)



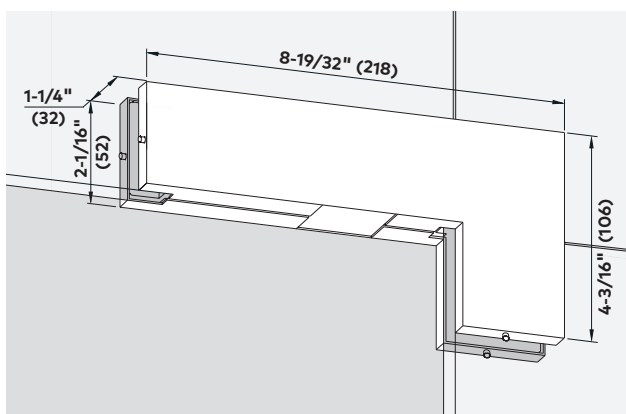
# Universal connectors



Product description	Glass thickness	Ref. no.
<b>PT 40 transom sidelite patch</b> with pivot $\varnothing 19/32$ (15)	3/8" (10)	<b>833.343</b>
	1/2" (12)	<b>833.143</b>
	5/8" (15)	<b>833.344</b>
<b>Pivot location</b> 2-3/4" (70)	3/4" (19)	<b>833.144</b>
<b>Weight in lb (kg)</b>		
Aluminum	2.955 (0.755)	
Brass	2.108 (0.958)	
Stainless steel	2.061 (0.937)	



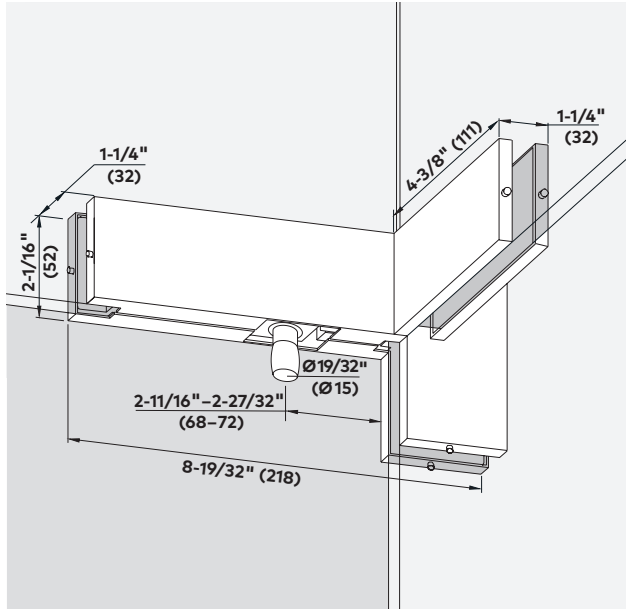
<b>PT 40 transom sidelite patch</b> with stop insert	3/8" (10)	<b>833.336</b>
	1/2" (12)	<b>833.136</b>
	5/8" (15)	<b>833.337</b>
<b>Weight in lb (kg)</b>	3/4" (19)	<b>833.137</b>
<b>Weight in lb (kg)</b>		
Aluminum	1.661 (0.755)	
Brass	2.108 (0.958)	
Stainless steel	2.061 (0.937)	



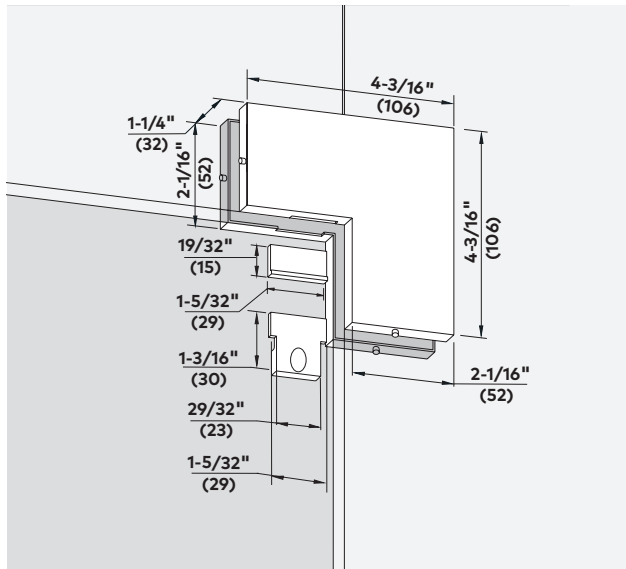
<b>PT 40 transom sidelite patch</b> with blank insert	3/8" (10)	<b>833.338</b>
	1/2" (12)	<b>833.138</b>
	5/8" (15)	<b>833.339</b>
<b>Weight in lb (kg)</b>	3/4" (19)	<b>833.139</b>
<b>Weight in lb (kg)</b>		
Aluminum	1.641 (0.746)	
Brass	2.088 (0.949)	
Stainless steel	2.042 (0.928)	

\* Left hand fin (illustration shows left hand) / Right hand fin. Left or right hand is determined by view from outside.

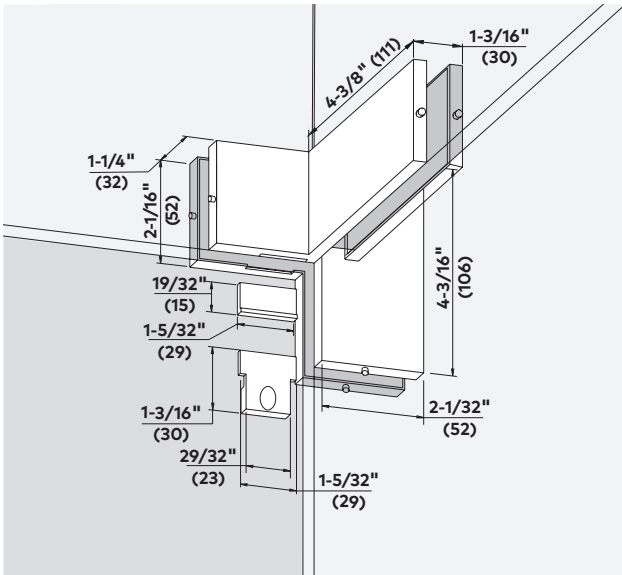
# Universal connectors



Product description	Glass thickness	Ref. no.	
		LH	RH
<b>PT 41 transom sidelite patch</b> with fin fitting inside with pivot $\varnothing$ 19/32 (15) (shown)	3/8" (10)	<b>833.355</b>	<b>833.354</b>
	1/2" (12)	<b>833.155</b>	<b>833.154</b>
	5/8" (15)	<b>833.356</b>	<b>833.357</b>
	3/4" (19)	<b>833.156</b>	<b>833.157</b>
<b>PT 41 transom sidelite patch</b> with fin fitting inside with stop insert (not shown)	3/8" (10)	<b>833.391</b>	<b>833.393</b>
	1/2" (12)	<b>833.191</b>	<b>833.193</b>
	5/8" (15)	<b>833.392</b>	<b>833.394</b>
	3/4" (19)	<b>833.192</b>	<b>833.194</b>
<b>PT 41 transom sidelite patch</b> with fin fitting inside with blank insert (not shown)	3/8" (10)	<b>833.395</b>	<b>833.397</b>
	1/2" (12)	<b>833.195</b>	<b>833.197</b>
	5/8" (15)	<b>833.396</b>	<b>833.398</b>
	3/4" (19)	<b>833.196</b>	<b>833.198</b>
<b>Pivot location</b> 2-3/4" (70)			
<b>Weight in lb (kg)</b>			
Aluminum		2.094 (0.952)	
Brass		2.708 (1.231)	
Stainless steel		2.633 (1.197)	



<b>PT 60/61 transom sidelite connector</b> for double or single acting doors, includes 1 stop and 2 blank inserts	3/8" (10)	<b>803.150</b>
	1/2" (12)	<b>803.150</b>
	5/8" (15)	<b>803.452</b>
	3/4" (19)	<b>803.452</b>
<b>Specify glass thickness.</b>		
<b>Weight in lb (kg)</b>		
Aluminum		0.755 (0.343)
Brass		1.014 (0.461)
Stainless steel		0.959 (0.436)



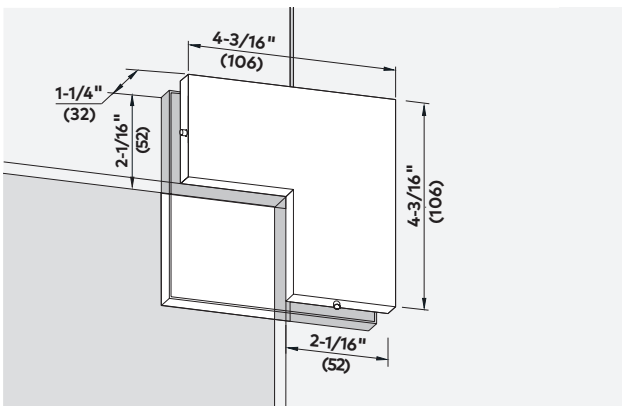
Product description	Glass thickness	Ref. no.	
		LH	RH

<b>PT 60/61 transom sidelite connector with fin fitting inside</b> for double or single acting doors, includes 1 stop and 2 blank inserts	3/8" (10)	<b>803.158</b>	<b>803.157</b>
	1/2" (12)	<b>803.158</b>	<b>803.157</b>
	5/8" (15)	<b>N/A</b>	<b>N/A</b>
	3/4" (19)	<b>N/A</b>	<b>N/A</b>

**Weight in lb (kg)**

Aluminum	0.986 (0.448)
Brass	1.415 (0.643)
Stainless steel	1.320 (0.600)

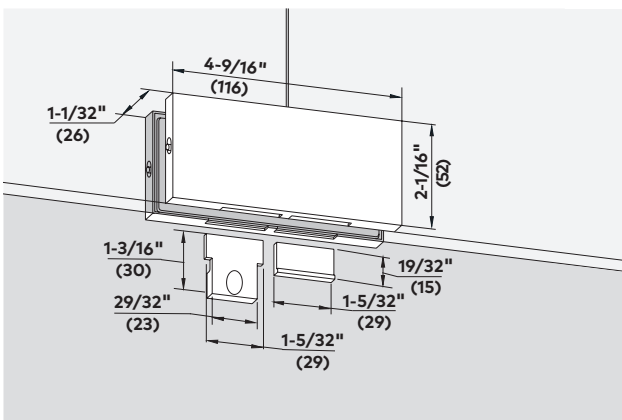
Left hand fin (illustration shows left hand) / Right hand fin. Left or right hand is determined by view from outside.



<b>PT 62 transom sidelite connector with fixed stop</b>	3/8" (10)	<b>803.173</b>
	1/2" (12)	<b>803.173</b>
	5/8" (15)	<b>N/A</b>
	3/4" (19)	<b>N/A</b>

**Weight in lb (kg)**

Aluminum	1.045 (0.475)
Brass	1.507 (0.685)
Stainless steel	1.474 (0.670)



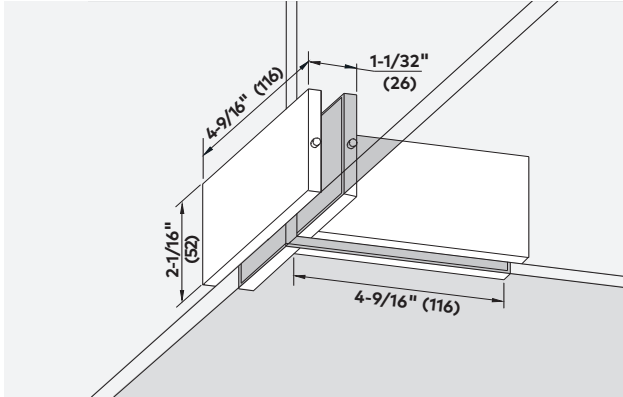
<b>PT 70 transom connector</b> includes 2 stop and 2 blank inserts	3/8" (10)	<b>801.150</b>
	1/2" (12)	<b>801.150</b>
	5/8" (15)	<b>801.158</b>
	3/4" (19)	<b>801.158</b>

**Specify glass thickness.**

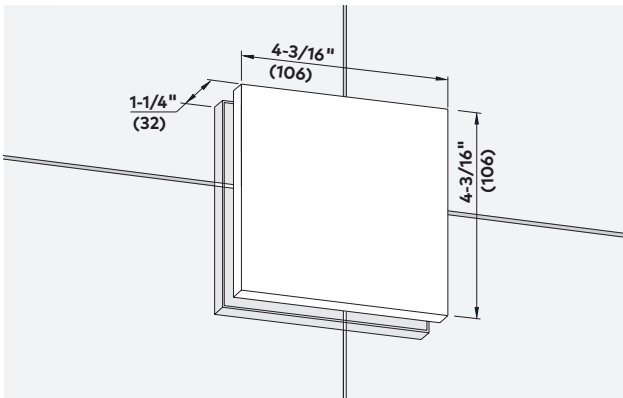
**Weight in lb (kg)**

Aluminum	0.598 (0.272)
Brass	0.766 (0.348)
Stainless steel	0.737 (0.335)

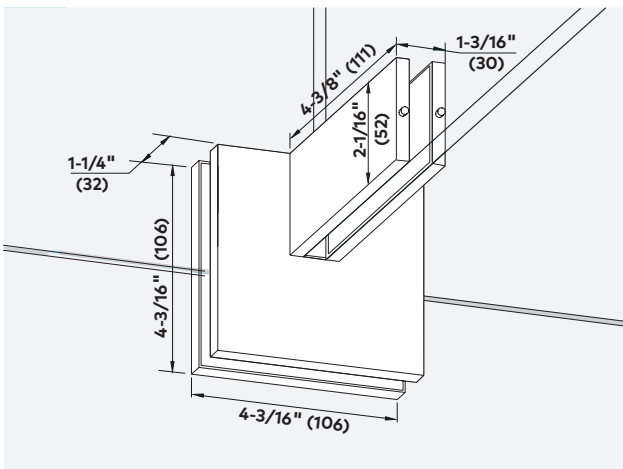
# Universal connectors



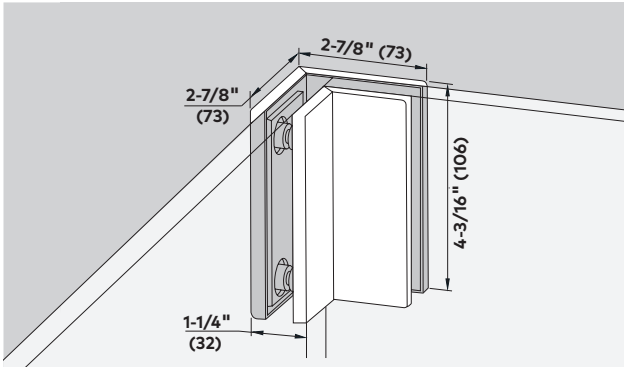
Product description	Glass thickness	Ref. no.
<b>PT 71 transom connector</b> with fin fitting	3/8" (10)	<b>801.161</b>
	1/2" (12)	<b>801.161</b>
	5/8" (15)	<b>N/A</b>
	3/4" (19)	<b>N/A</b>
<b>Weight in lb (kg)</b>		
Aluminum	1.008 (0.458)	
Brass	1.375 (0.625)	
Stainless steel	1.338 (0.608)	



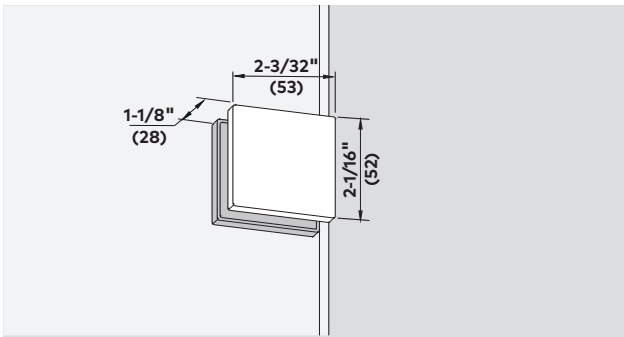
<b>PT 80 connector</b>	3/8" (10)	<b>803.170</b>
<b>Specify glass thickness</b>	1/2" (12)	<b>803.170</b>
	5/8" (15)	<b>803.472</b>
	3/4" (19)	<b>803.472</b>
<b>Weight in lb (kg)</b>		
Aluminum	Brass	
Stainless steel		
<b>Weight in lb (kg)</b>		
Aluminum	1.221 (0.555)	
Brass	1.760 (0.800)	
Stainless steel	1.716 (0.780)	



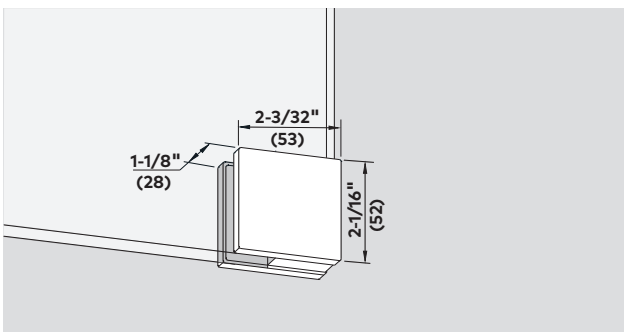
<b>PT 81 connector</b> with fin fitting	3/8" (10)	<b>803.175</b>
	1/2" (12)	<b>803.175</b>
	5/8" (15)	<b>N/A</b>
	3/4" (19)	<b>N/A</b>
<b>Weight in lb (kg)</b>		
Aluminum	1.725 (0.784)	
Brass	2.372 (1.078)	
Stainless steel	2.343 (1.065)	



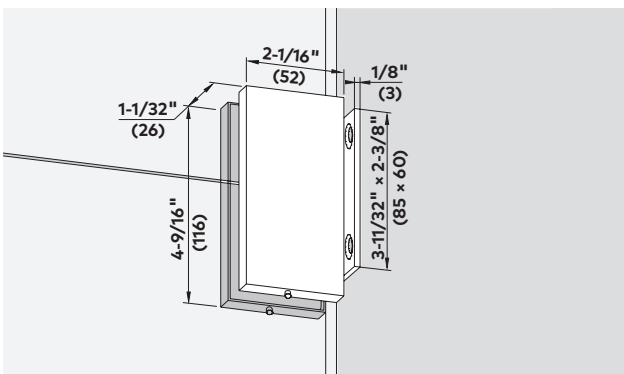
Product description	Glass thickness	Ref. no.
<b>PT 80-90 connector</b> angled 90°	3/8" (10)	<b>803.171</b>
	1/2" (12)	<b>803.171</b>
	5/8" (15)	<b>N/A</b>
<b>Weight in lb (kg)</b>	3/4" (19)	<b>N/A</b>
	Aluminum	1.027 (0.467)
	Brass	1.232 (0.560)
	Stainless steel	1.188 (0.540)



<b>PT 90 screw on fitting</b>	3/8" (10)	<b>807.021</b>
	1/2" (12)	<b>807.021</b>
	5/8" (15)	<b>807.210</b>
	3/4" (19)	<b>807.210</b>
<b>Specify glass thickness.</b>		
<b>Weight in lb (kg)</b>	Aluminum	0.264 (0.120)
	Brass	0.352 (0.160)
	Stainless steel	0.341 (0.155)



<b>PT 91 corner fitting</b>	3/8" (10)	<b>807.023</b>
	1/2" (12)	<b>807.023</b>
	5/8" (15)	<b>807.211</b>
	3/4" (19)	<b>807.211</b>
<b>Weight in lb (kg)</b>	Aluminum	0.264 (0.120)
	Brass	0.352 (0.160)
	Stainless steel	0.341 (0.155)



<b>Side connector</b> with wall mounting plate	3/8" (10)	<b>801.153</b>
	1/2" (12)	<b>801.153</b>
	5/8" (15)	<b>N/A</b>
	3/4" (19)	<b>N/A</b>
<b>Weight in lb (kg)</b>	Aluminum	0.689 (0.313)
	Brass	0.856 (0.389)
	Stainless steel	0.827 (0.376)

# Universal glass preparation details

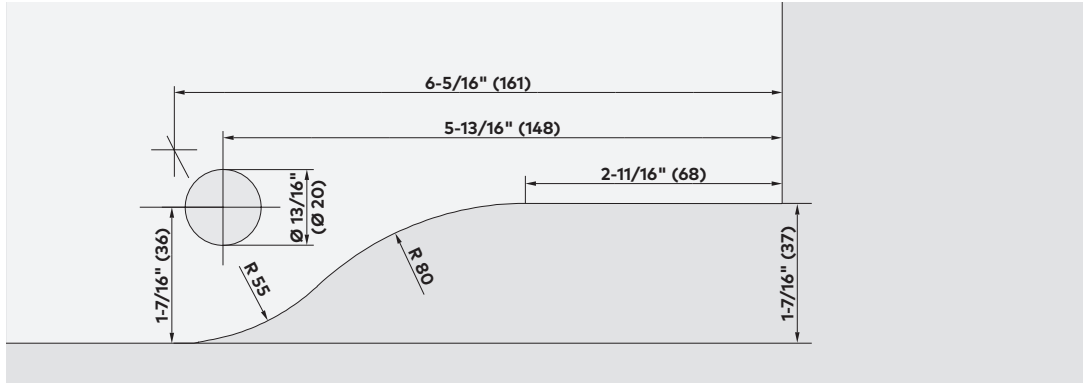
**Note:**

All glass preparation detail drawings are

**Scale 1 : 2**

**PT 10, PT 20, PT 22, PT 29, PT 30**

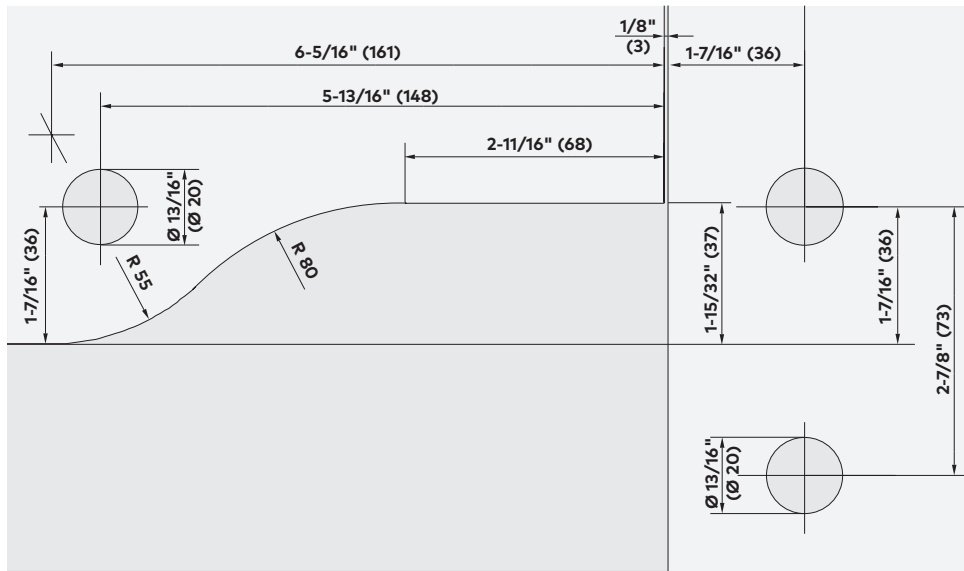
Top and bottom patches, transom patch



Ref. no.	833.300	833.330	833.110	833.131	833.311	833.335	833.121
	833.310	833.332	833.112	833.132	833.313	833.101	833.133
	833.312	833.334	833.109	833.134	833.321	833.111	833.135
	803.114	833.100		833.301	833.333	833.113	

**PT 40**

Patch for transom and sidelite



Ref. no.	833.343	833.133	833.336
	833.333	833.135	833.144
	833.335	833.344	833.134
	833.143	833.334	833.136

**Note:**

All glass preparation detail drawings are

**Scale 1 : 2**

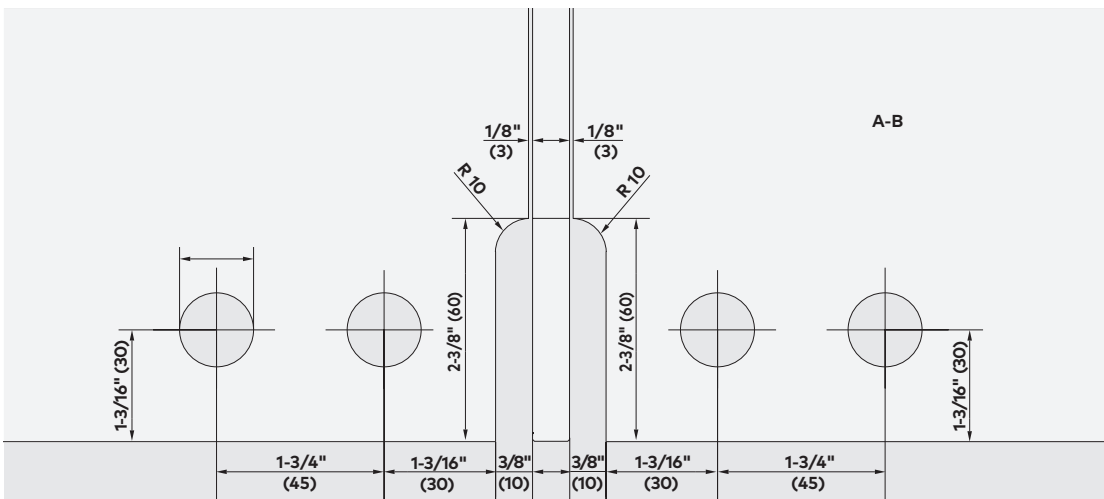
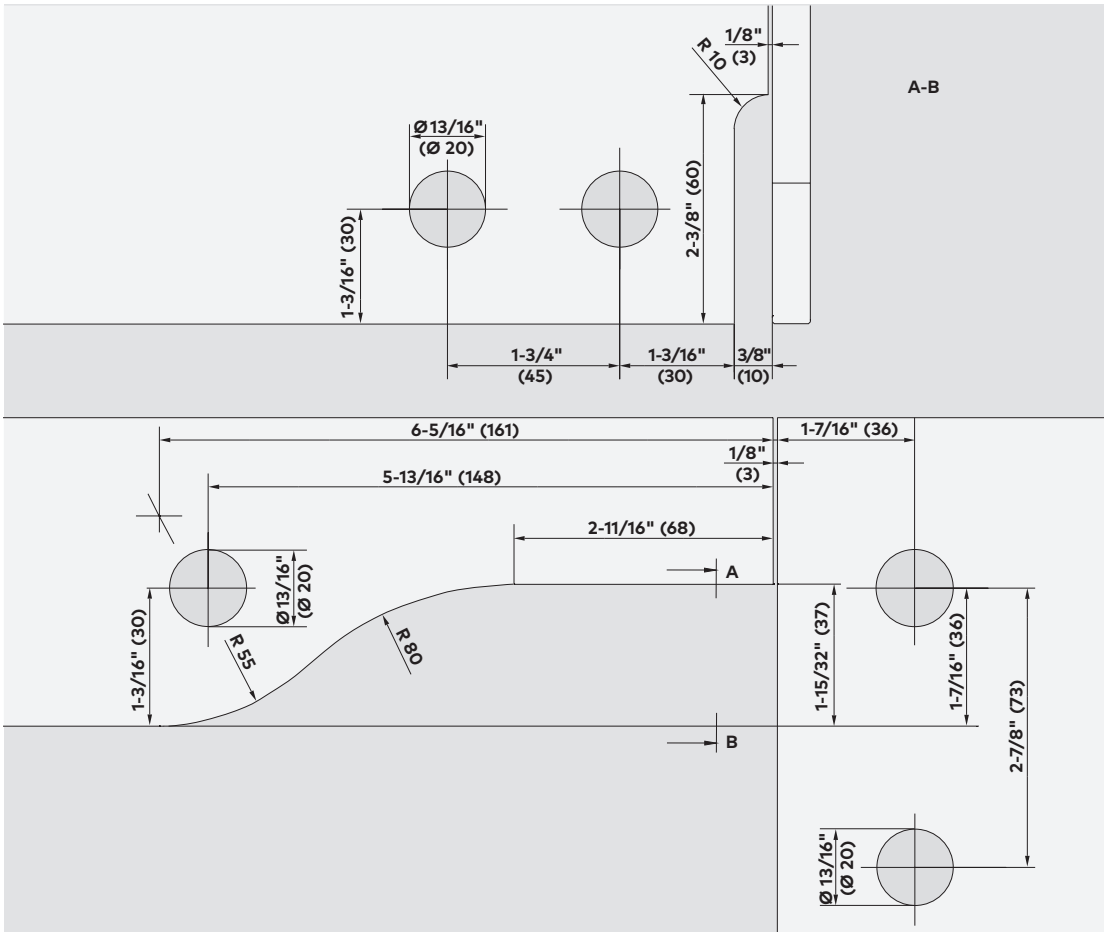
**PT 41**

Patch for transom and sidelite with fin fitting inside

See **Ref. No.** below.

**Ref. No.**

- 833.355/833.354
- 833.155/833.154
- 833.356/833.357
- 833.156/833.157
- 833.391/833.393
- 833.191/833.193
- 833.392/833.394
- 833.192/833.194
- 833.395/833.397
- 833.195/833.197
- 833.396/833.398
- 833.196/833.198



**PT 41**

Patch for transom and sidelite with fin fitting on both sides

# Universal glass preparation details

**PT 60/61, PT 62**

Connectors for transoms and sidelites

Ref. No. 803.150/803.452

and connector with stop

Ref. No. 803.173

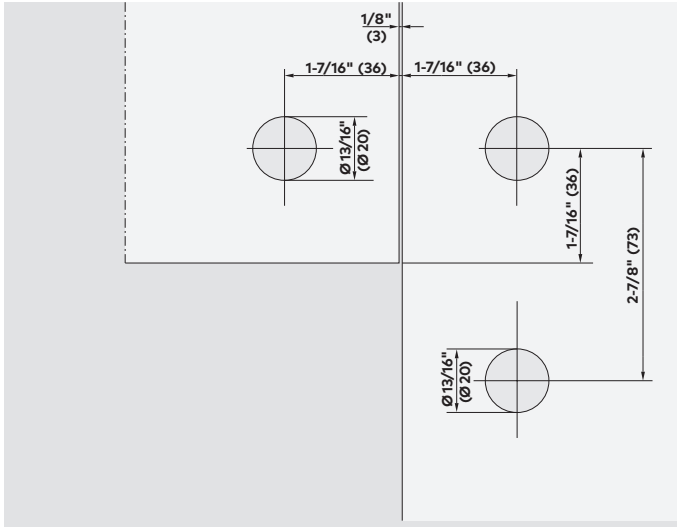
Ref. No. 803.157/803.158

Glass preparation for fin fitting see PT 81 (page ??)

**Note:**

All glass preparation detail drawings are

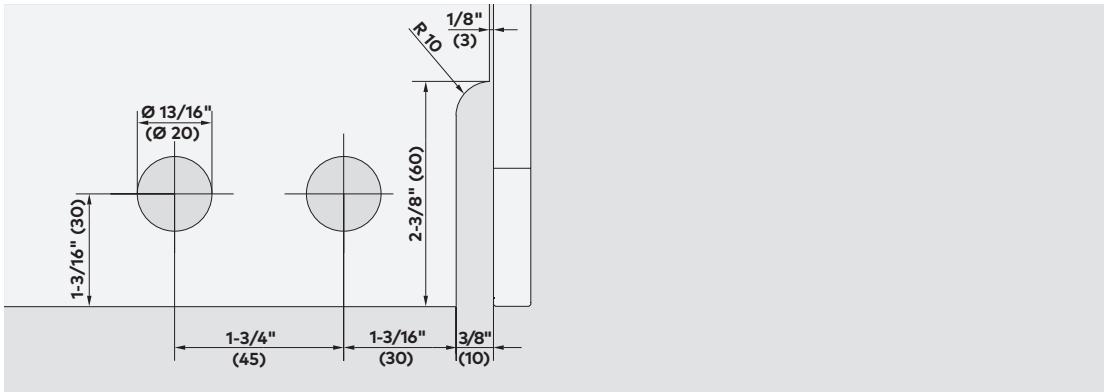
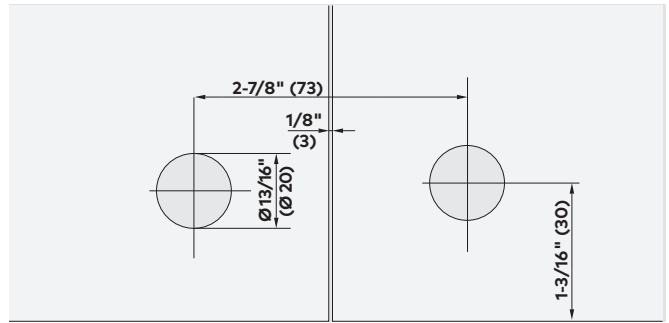
**Scale 1 : 2**



**PT 70**

Transom connector

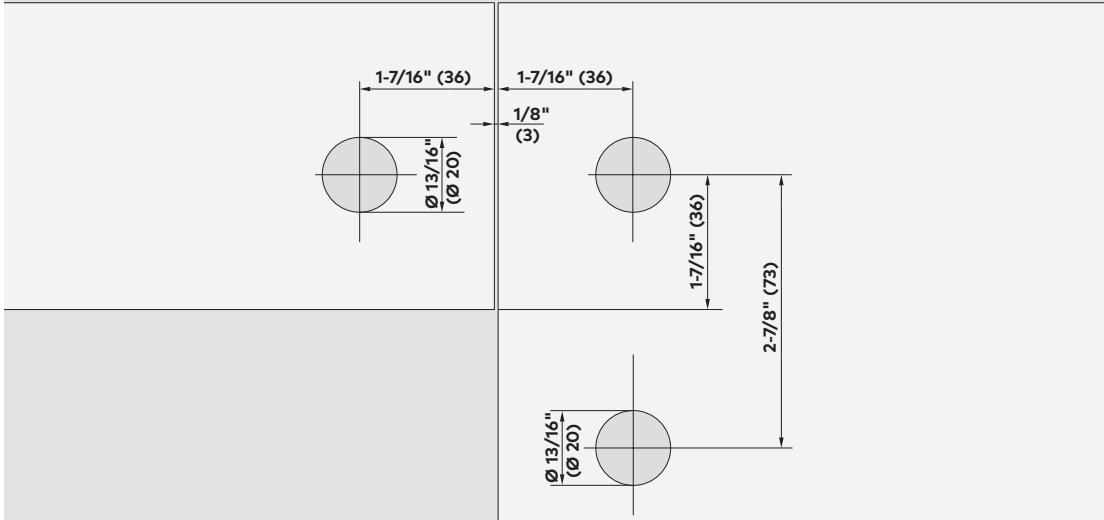
Ref. No. 801.150/801.158



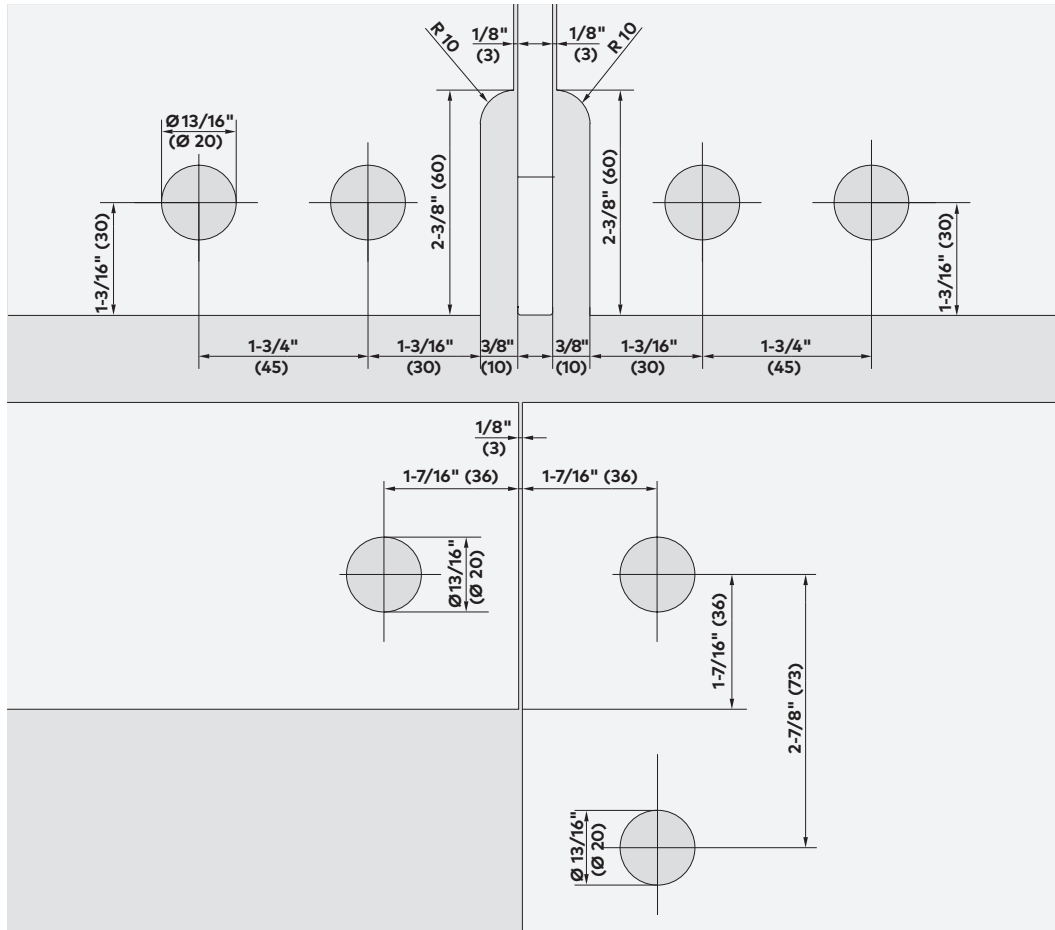
**PT 61**

Single transom connector

with fin fitting inside







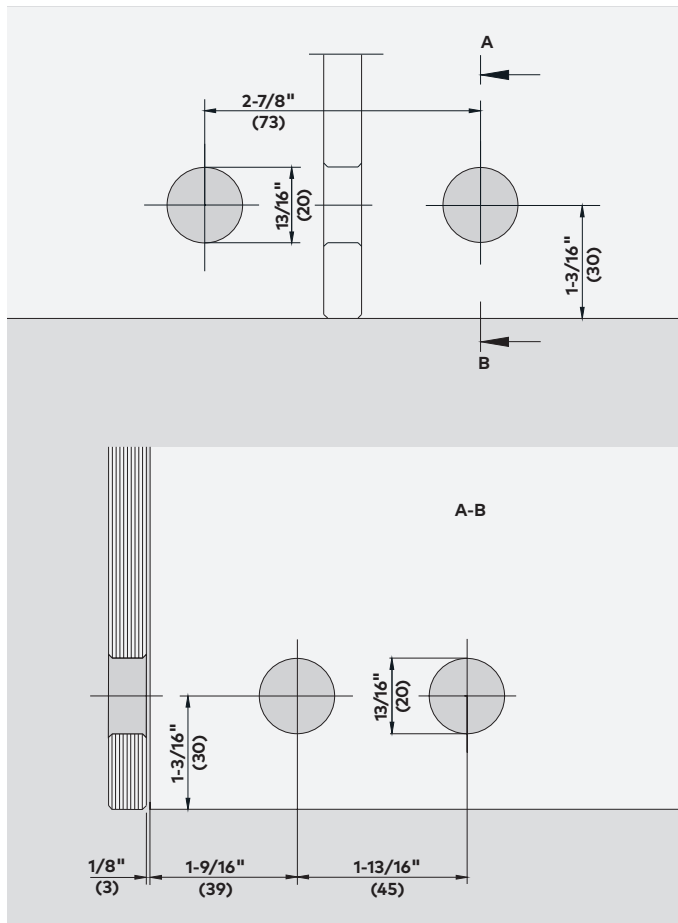
**PT 61**

Double transom connectors with fin fitting on both sides

**Note:**

All glass preparation detail drawings are

**Scale 1 : 2**



**PT 71**

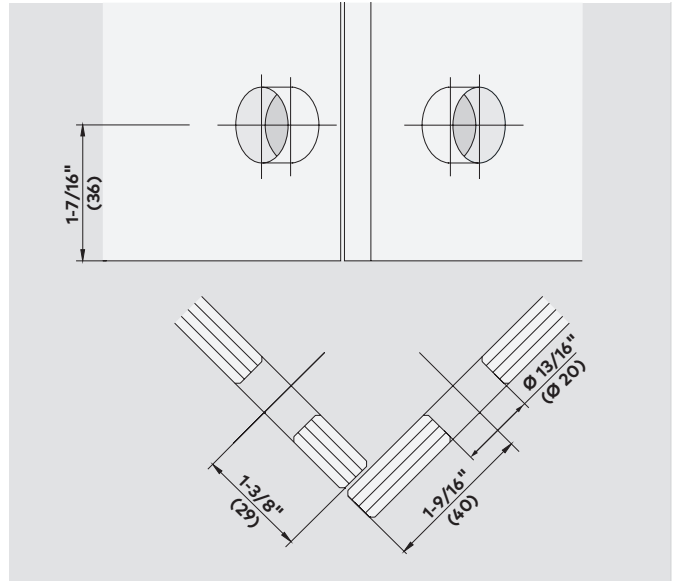
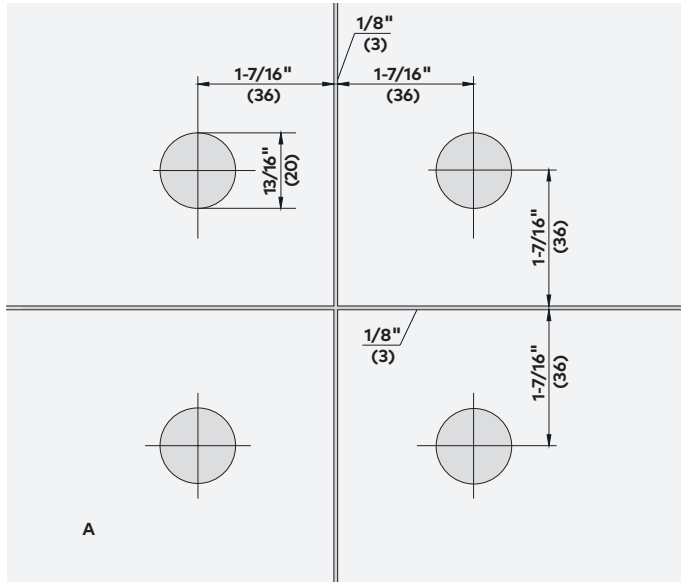
Transom connector with fin fitting

**Ref. No. 801.161**

# Universal glass preparation details

## PT 80-90 short

Angled connector, 90° shortened  
Ref. No. 803.470



## PT 80

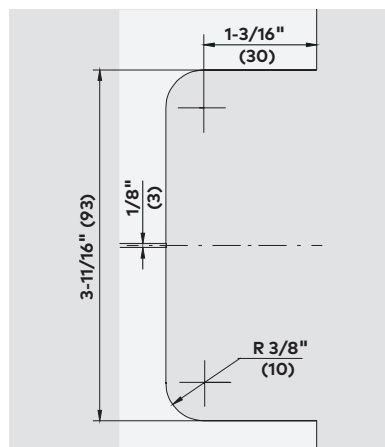
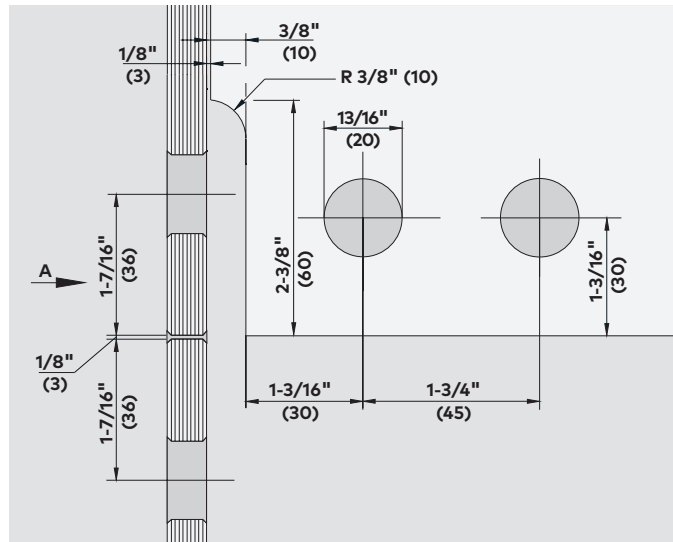
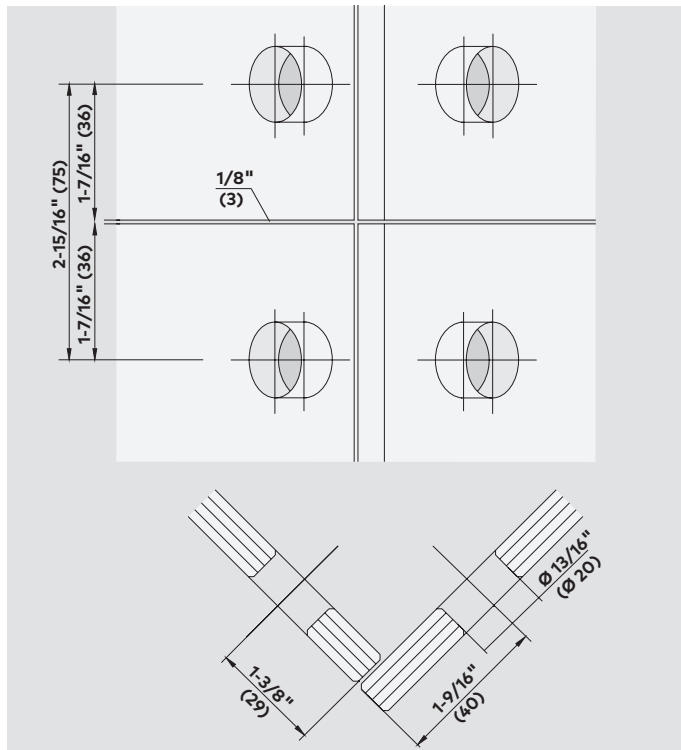
Connector  
Ref. No. 803.170/803.472

## PT 81

Connector with fin fitting  
Ref. No. 803.175

## PT 80 - 90

Angled connector, 90°  
Ref. No. 803.171



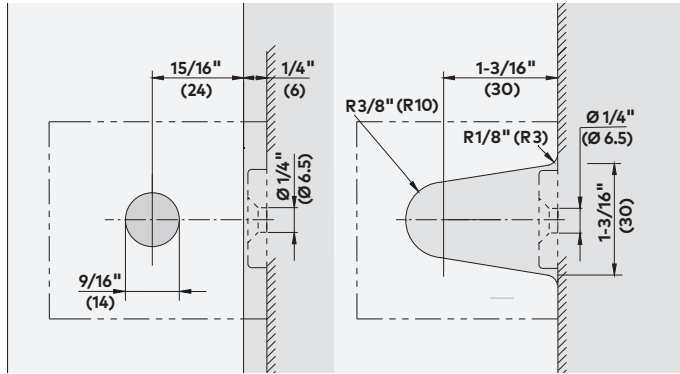
**Side connector**  
with fixing plate  
Ref. No. 801.153

**Note:**  
All glass preparation detail drawings are  
Scale 1 : 2

**PT 90**

Screw on fitting

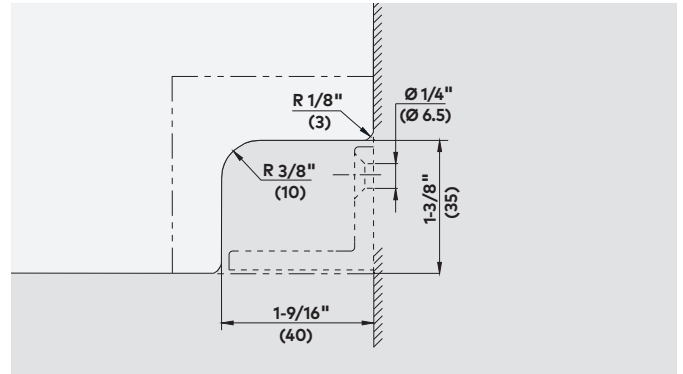
Ref. No. 807.021/807.210



**PT 91**

Corner fitting

Ref. No. 807.023/807.211

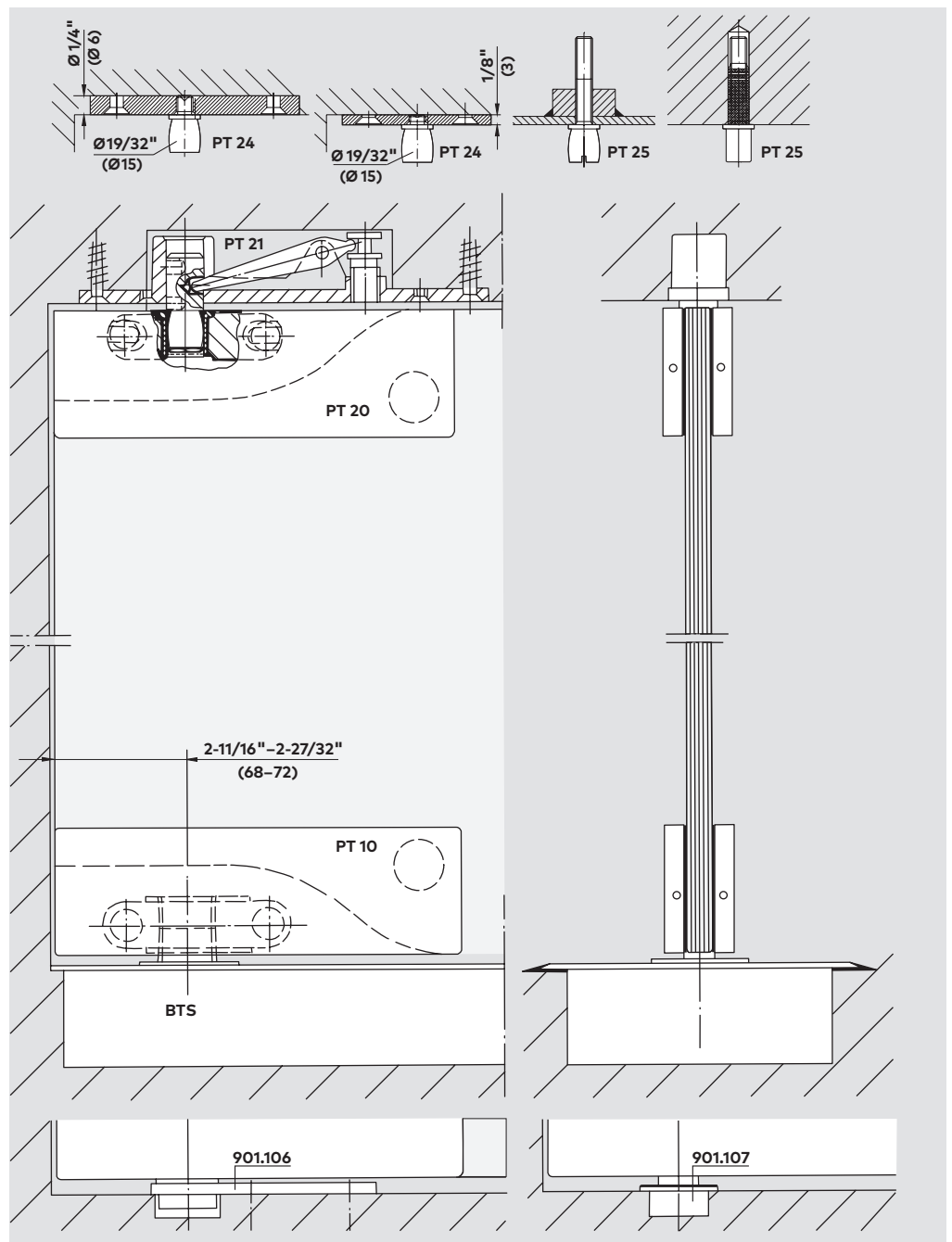


# Universal construction

## Mounting of pivots and top pivot pins

Mounting of top pivots and top pivot pins for PT 20

Mounting of floor closers or pivot bearings for PT 10



# EA patch fittings

An expansive range with slimline bodies for offset hung doors.



EA patch fittings are characterized by their slim, neat shape and skillful European hinge design. This comprehensive range of fittings allows the transparent elegance of single-action doors to reach their full potential—whether hung in frames or integrated into tempered glass openings.

## Easy glass preparation, secure mounting

dormakaba understands the special properties of glass as a building material, designing fittings that require only minimal glass preparation—a quick and easy cut-out with additional holes. Careful consideration and positive measures have been taken to create the maximum clamping surface with optimum clamping efficiency.

## Suitable for common glass thicknesses

EA patch fittings are available for 3/8" (10) and 1/2" (12) glass thicknesses.

## Reliability built in

Quality materials and thorough workmanship mean that EA patch fittings have the features necessary to meet the most demanding of specifications.

## Matching range of locks

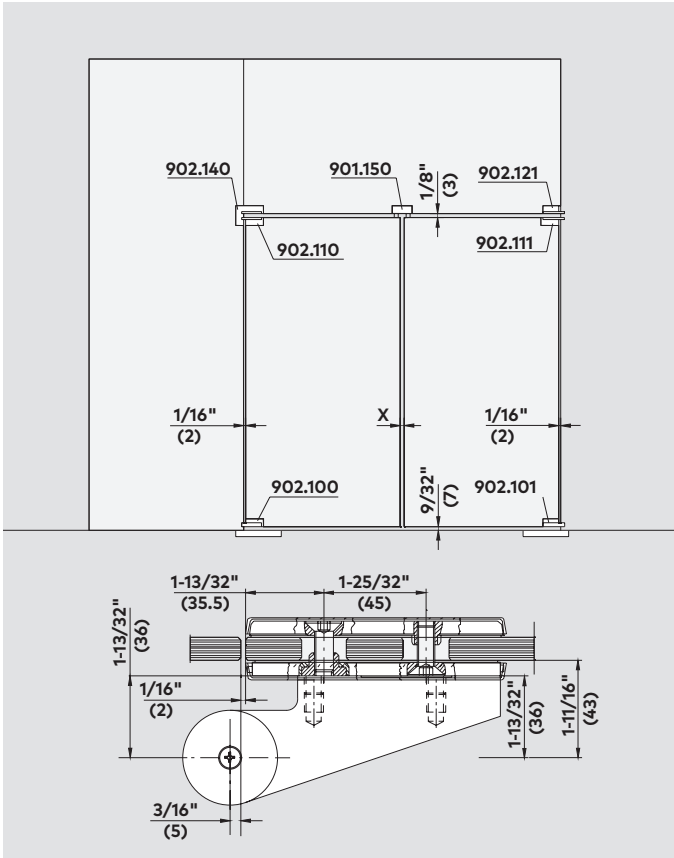
The EA range includes every type of accessory, and of course, a variety of locks and strike boxes in a matching design concept, giving the designer plenty of options to choose from. Contact Customer Service for more details.

EA corner patches are available in the following finishes:

- Aluminum, silver anodized EV1, (101)
- Similar to satin stainless steel (107)
- Aluminum, dark bronze anodized DB (108)
- Black anodized (109)
- Polished chrome plated (501)
- Brass, polished (503)



# Offset hung doors in tempered glass assemblies



## Max. door weight

220 lb (100 kg)

## Max. door width

43" (1100)

For door weights up to 220 lb (100 kg) and widths up to 47" (1200), DRS door rails should be used.

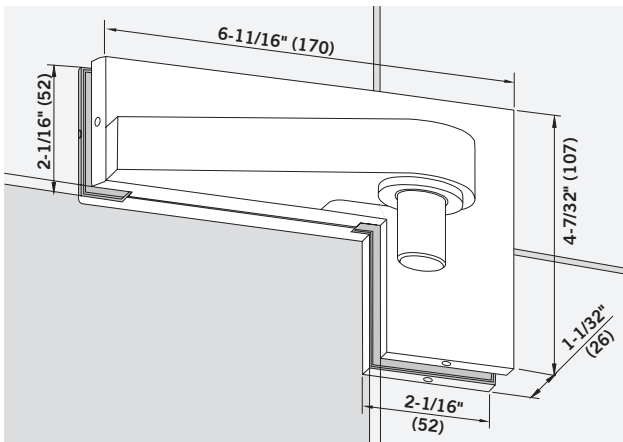
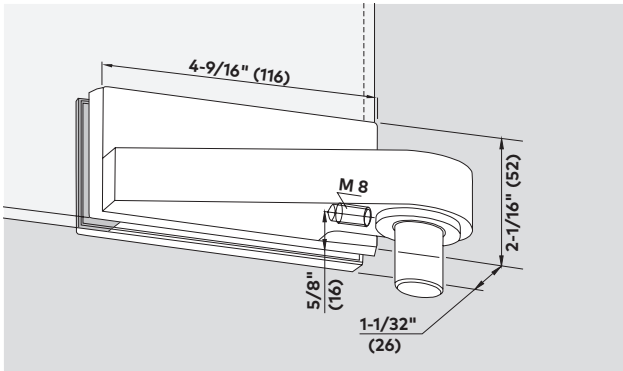
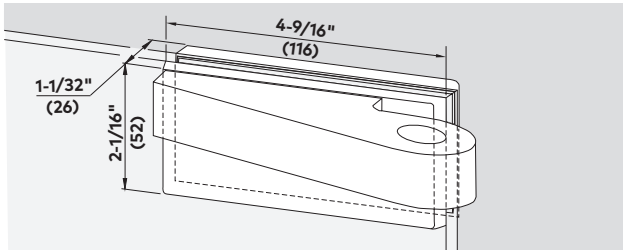
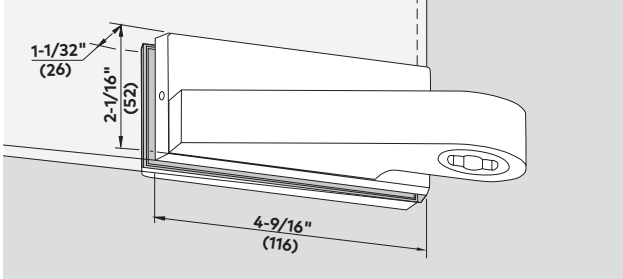
EA patch fittings for offset hung doors in tempered glass assemblies have a 1-13/32" (36) offset = 1-11/16" (43) from pivot point to glass surface.

## Torque for fixing screws

### Screws M 8

15 lb-ft / 20 Nm

# EA patch fittings



Product description	Ref. no.
---------------------	----------

<b>Bottom patch</b>	<b>*902.100 (LHR)</b>
to suit dormakaba floor closer spindle, or round pivot	<b>*902.101 (RHR)</b>
Ø 9/16" (14)	

**Weight in lb (kg)**  
 Aluminum 1.606 (0.730)  
 Stainless steel 2.807 (1.276)

<b>Top patch</b>	<b>*902.110 (LHR)</b>
	<b>*902.111 (RHR)</b>

**Weight in lb (kg)**  
 Aluminum 1.452 (0.660)  
 Stainless steel 2.734 (1.243)

<b>Transom patch</b>	<b>*902.120 (LHR)</b>
bushing outside	<b>*902.121 (RHR)</b>
Ø 25/32" (20),	
pivot Ø 19/32" (15)	

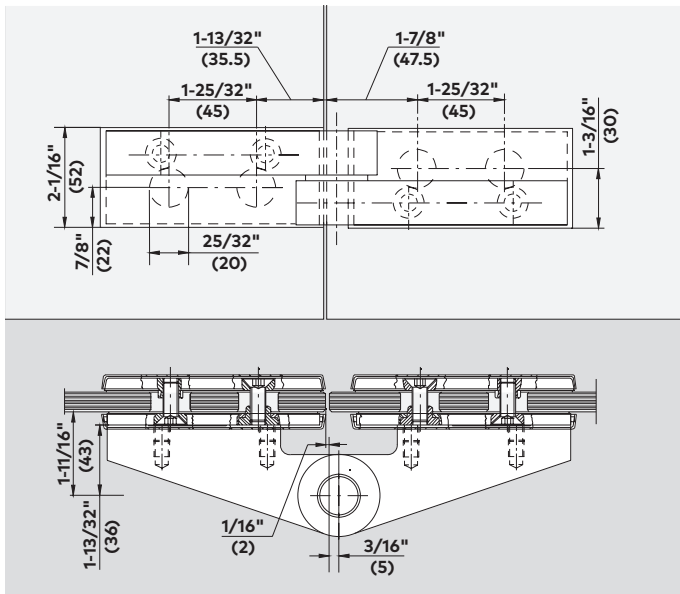
**Weight in lb (kg)**  
 Aluminum 1.401 (0.637)  
 Stainless steel 2.624 (1.193)

See page 28 for wall connector plate Ref. No.801.127.

<b>Patch for transom and sidelite</b>	<b>*902.140 (LHR)</b>
bushing outside	<b>*902.141 (RHR)</b>
Ø 25/32" (20),	
pivot Ø 19/32" (15)	

**Weight in lb (kg)**  
 Aluminum 1.830 (0.832)  
 Stainless steel 3.099 (1.409)

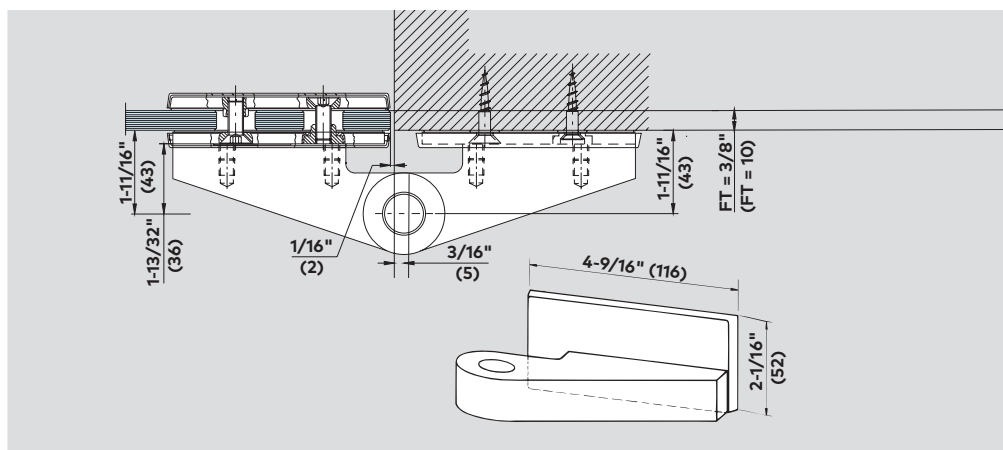
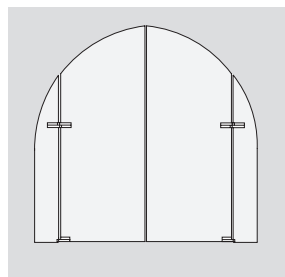
\*Left/right hand reverse is determined by view from hanging pull side.



**Top patch**  
complete with pivot for sidelite

**Ref. No.**  
**\*902.200 (LHR)**  
**\*902.201 (RHR)**

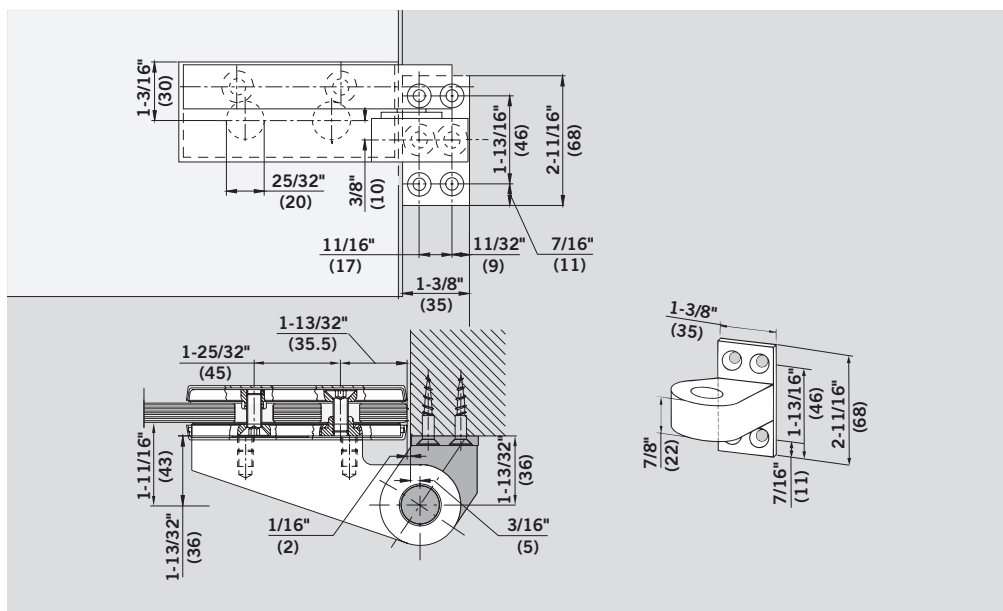
**Weight in lb (kg)**  
Aluminum 3.113 (1.415)  
Stainless steel 5.678 (2.581)



**Top patch**  
complete with pivot for wall mounting

**Ref. No.**  
**\*902.202 (LHR)**  
**\*902.203 (RHR)**

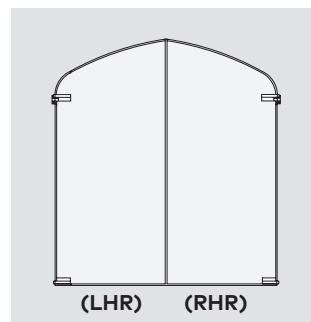
**Weight in lb (kg)**  
Aluminum 2.809 (1.277)  
Stainless steel 5.561 (2.528)



**Top patch**  
complete with pivot for frame mounting

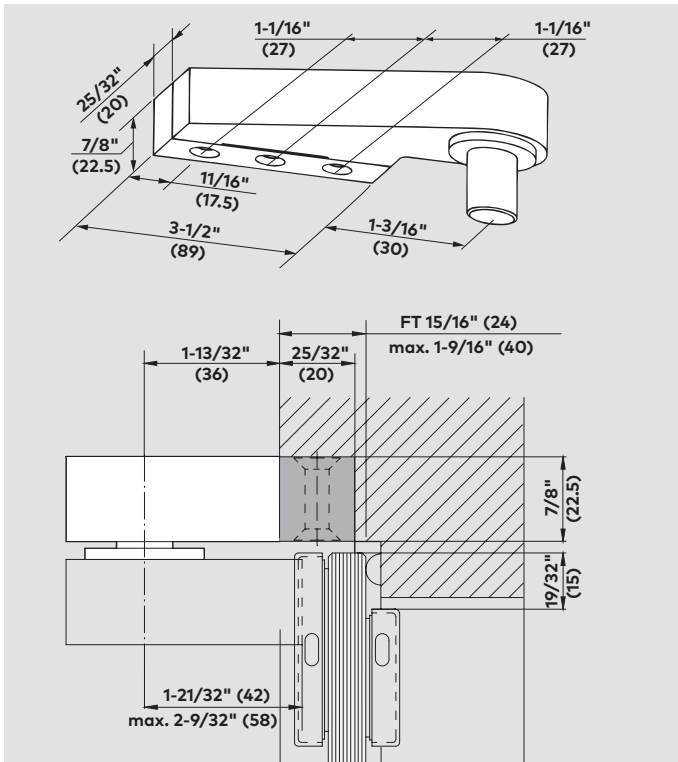
**Ref. No.**  
**\*902.204 (LHR)**  
**\*902.205 (RHR)**

**Weight in lb (kg)**  
Aluminum 1.969 (0.895)  
Stainless steel 3.850 (1.750)



\*Left/right hand reverse is determined by view from hanging pull side.

# Top centers for wood and steel frames



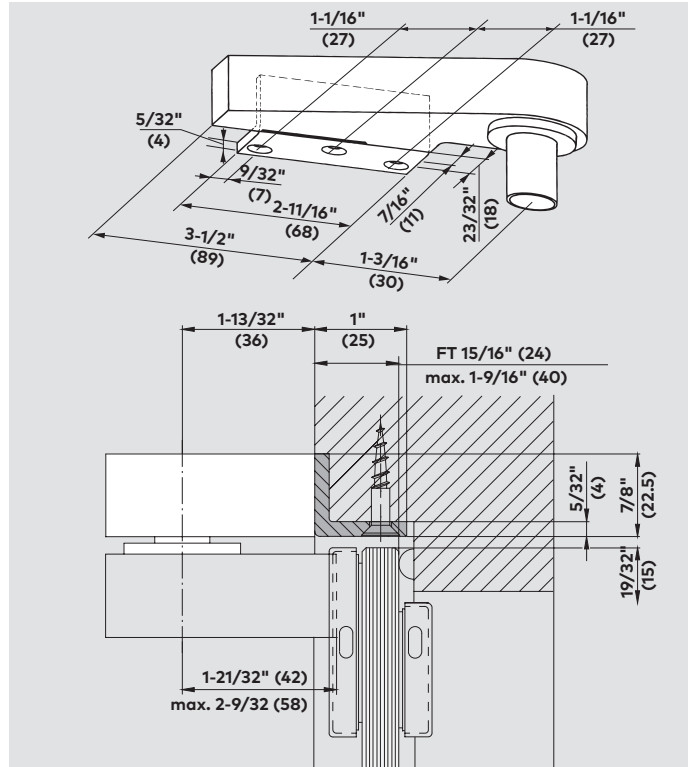
**Frame top center**  
with fixing block

**Ref. No. 902.150**

**Weight in lb (kg)**

Aluminum	1.036 (0.471)
Stainless steel	2.149 (0.977)

(If corner fittings/door rails are combined with frame top centers described below, please indicate rebate depth with order.)

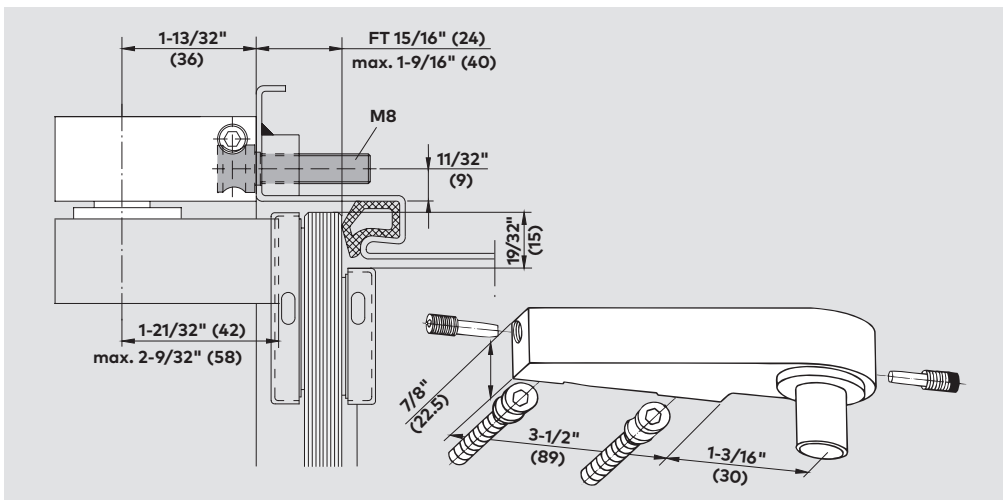


**Frame top center**  
with angle bracket

**Ref. No. 902.151**

**Weight in lb (kg)**

Aluminum	0.996 (0.453)
Brass	2.109 (0.959)



**Frame top center**

only for steel frames, with special wedge screw mounting

**Ref. No.**

**\*902.152 (LHR)**

**\*902.153 (RHR)**

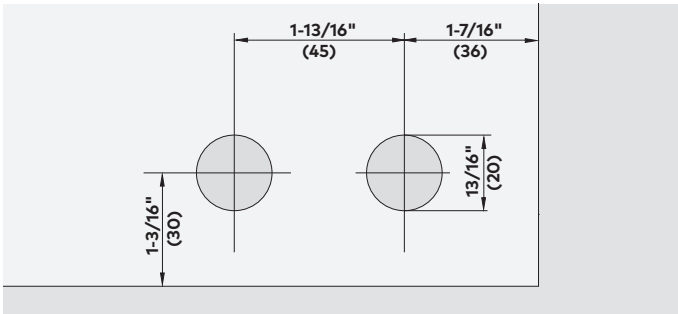
**Weight in lb (kg)**

Aluminum	0.858 (0.390)
Brass	4.171 (1.896)

\*Left/right hand reverse is determined by view from hanging pull side.



# EA glass preparation details



## Bottom patches

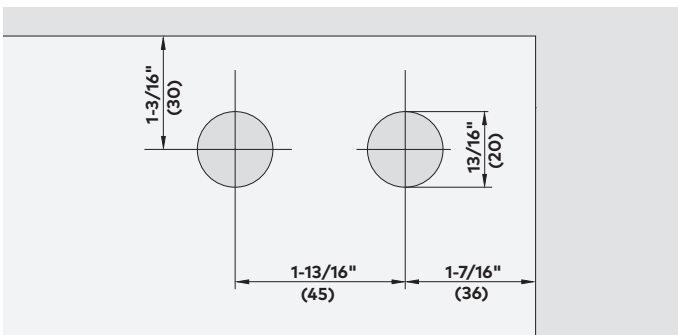
**Ref. No:**

left hand

**902.100**

right hand

**902.101**



## Top patches

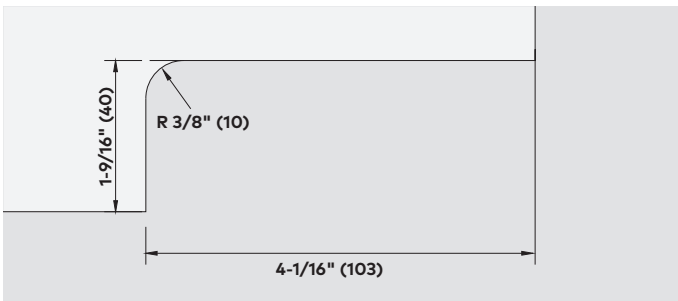
**Ref. No:**

left hand

**902.110**

right hand

**902.111**



## Overhead patches

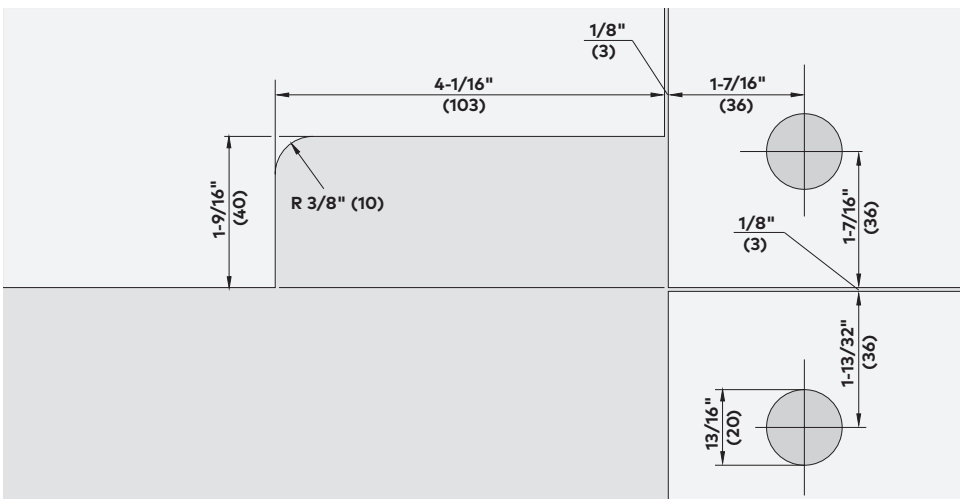
**Ref. No:**

left hand

**902.120**

right hand

**902.121**



## Patches for transom and sidelite

**Ref. No:**

left hand

**902.140**

right hand

**902.141**

**Note:**

All glass preparation detail drawings are

**Scale 1 : 2**

# Accessories

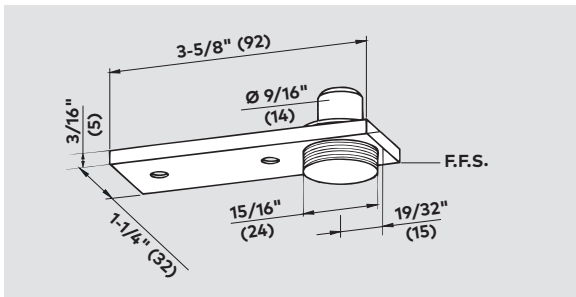
Accessories for patch fittings ... perfection in detail.



dormakaba offers original patch fitting accessories to optimize the technical excellence and cost effectiveness of tempered glass systems. In addition to functional components, such as special floor pivots, available accessories

include security-related options that enhance the functional efficiency, reliability, and long service life expected of dormakaba glass systems and solutions.

## Floor bearings and floor socket

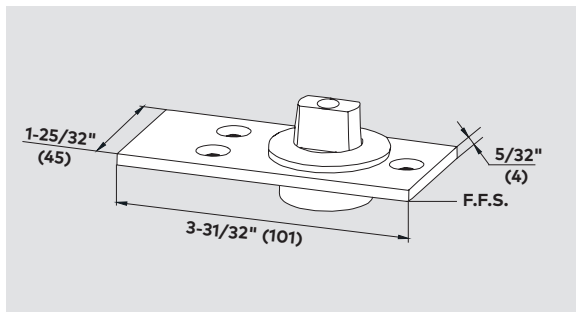


**Floor pivot bearing (355.6)**  
with round pivot  $\varnothing 9/16"$  (14), and cover plate; height adjustable by  $3/16"$  (5)

**max. door weight**  
220 lb (100 kg)  
**Ref. No. 201.106**

**Weight in lb (kg)**  
Aluminum 0.341 (0.155)  
Brass 0.374 (0.170)  
Stainless steel 0.372 (0.169)

**F.F.S.** = Finished Floor Surface



**Floor bearing (355.5)**  
with dormakaba profile spindle (longer spindle on request)

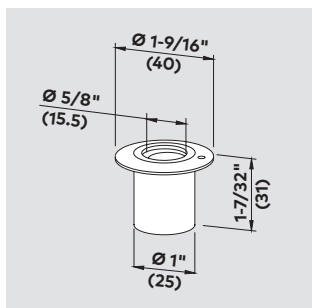
**max. door weight**  
440 lb (200 kg)  
**Ref. No. 904.602**

**Weight in lb (kg)**  
0.559 (0.254)

**Stainless Steel**  
**max. door weight**  
440 lb (200 kg)  
**Ref. No. 904.603**

**Weight in lb (kg)**  
0.563 (0.256)

**F.F.S.** = Finished Floor Surface

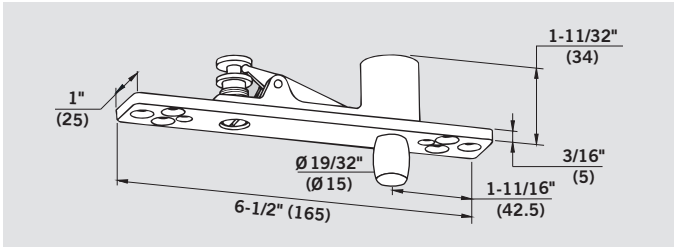


**Floor socket**  
eccentric, zinc coated brass, with adjustable plastic socket insert

**Ref. No. 805.194**  
**Weight in lb (kg)**  
0.044 (0.020)

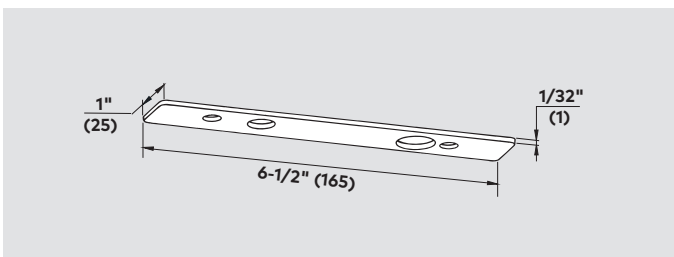
# Accessories

## Pivots

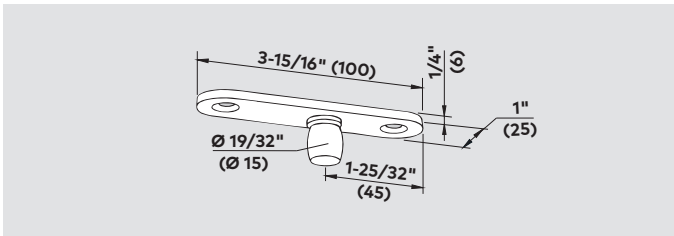


**PT 21 frame hung portion**  
top center hung with  
removable pin Ø 19/32" (15)  
**Ref. No. 901.117**

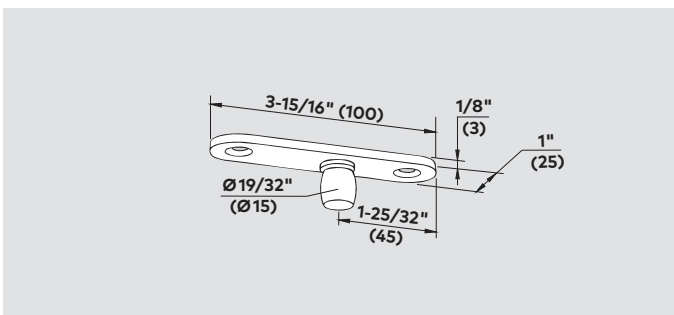
**Weight in lb (kg)**  
0.737 (0.335)



**PT 21 cover plate**  
Ø 19/32 (15)  
**Ref. No. 227.004**

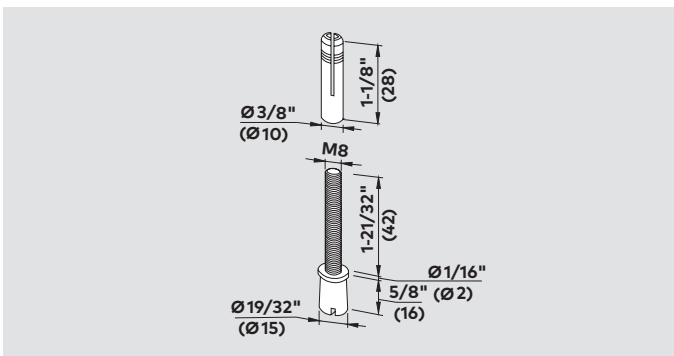


**PT 24 pivot (325.6-6)**  
Ø 19/32 (15) with mounting plate,  
material thickness 1/4" (6)  
**countersink base plate in ceiling**  
**Ref. No. 901.116**



**PT 24 pivot (325.6-3)**  
Ø 19/32 (15), with mounting plate,  
material thickness 1/8" (3), to  
screw on the ceiling  
**Ref. No. 901.923**

**Weight in lb (kg)**  
Aluminum 0.092 (0.042)  
Brass 0.171 (0.078)  
Stainless steel 0.163 (0.074)

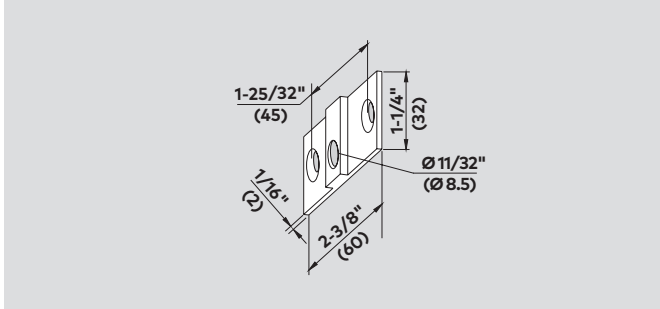


**PT 25 pivot (325.3)**  
Ø 19/32 (15), with plug  
**Ref. No. 901.115**

**Weight in lb (kg)**  
0.097 (0.044)

# Accessories

## Fixing plate, threaded rod & cylinder



### Mounting plate

for transom patch PT 30

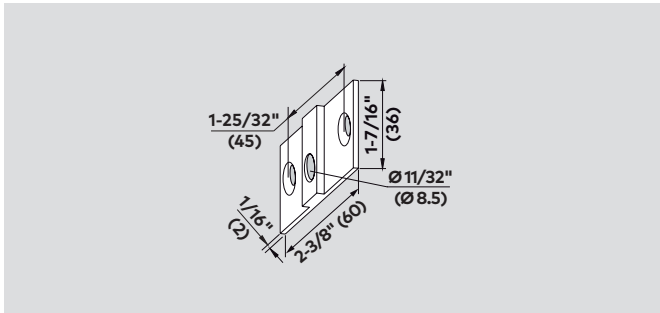
**Ref. No. 903.128**

### Weight in lb (kg)

Aluminum 0.035 (0.016)

Brass 0.083 (0.038)

Stainless steel not available, satin chrome on brass supplied.



### Mounting plate

for EA transom patches

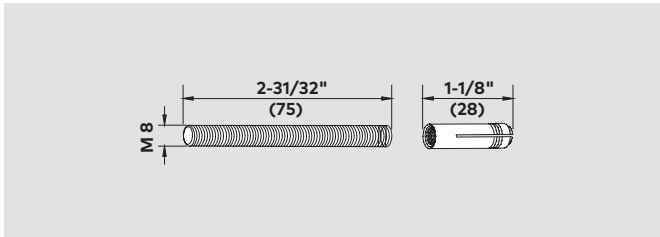
**Ref. No. 801.127**

### Weight in lb (kg)

Aluminum 0.042 (0.019)

Brass 0.099 (0.045)

Stainless steel not available, satin chrome on brass supplied.



### Threaded rod

M 8 with plug for transom patch

**Ref. No. 901.134**

### Weight in lb (kg)

0.070 (0.032)

### Patch Lock – AR20

3/8" (10) glass

**Ref. No. 801.124**

1/2" (12) glass

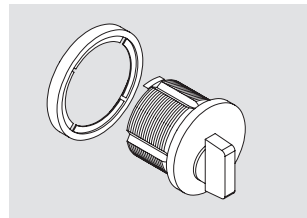
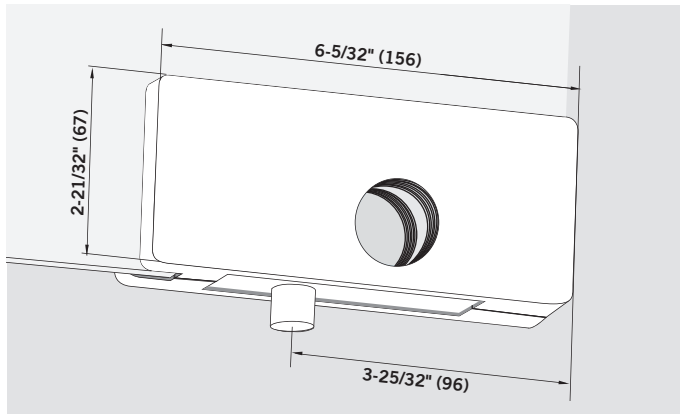
**Ref. No. 801.122**

5/8" (15) glass

**Ref. No. 801.126**

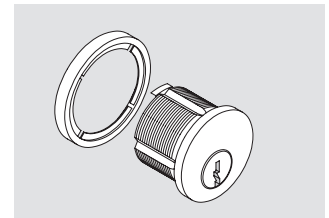
3/4" (19) glass

**Ref. No. 801.125**



**Thumbturn with blocking ring**

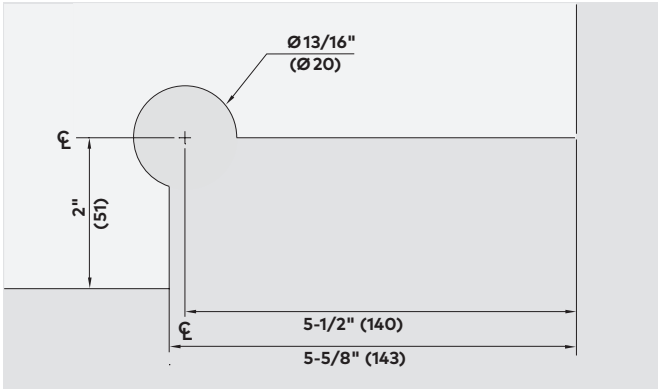
**Ref. No. 225.996**



**Key Cylinder with blocking ring**

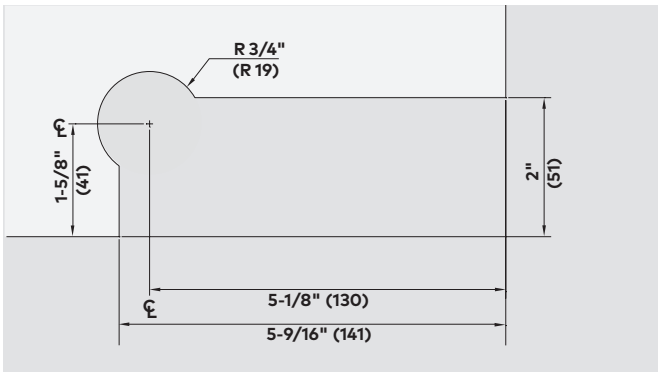
**Ref. No. 225.997**

### Glass preparation—patch lock



3/8" (10) glass  
**Ref. No. 801.124**

1/2" (12) glass  
**Ref. No. 801.122**



5/8" (15) glass  
**Ref. No. 801.126**

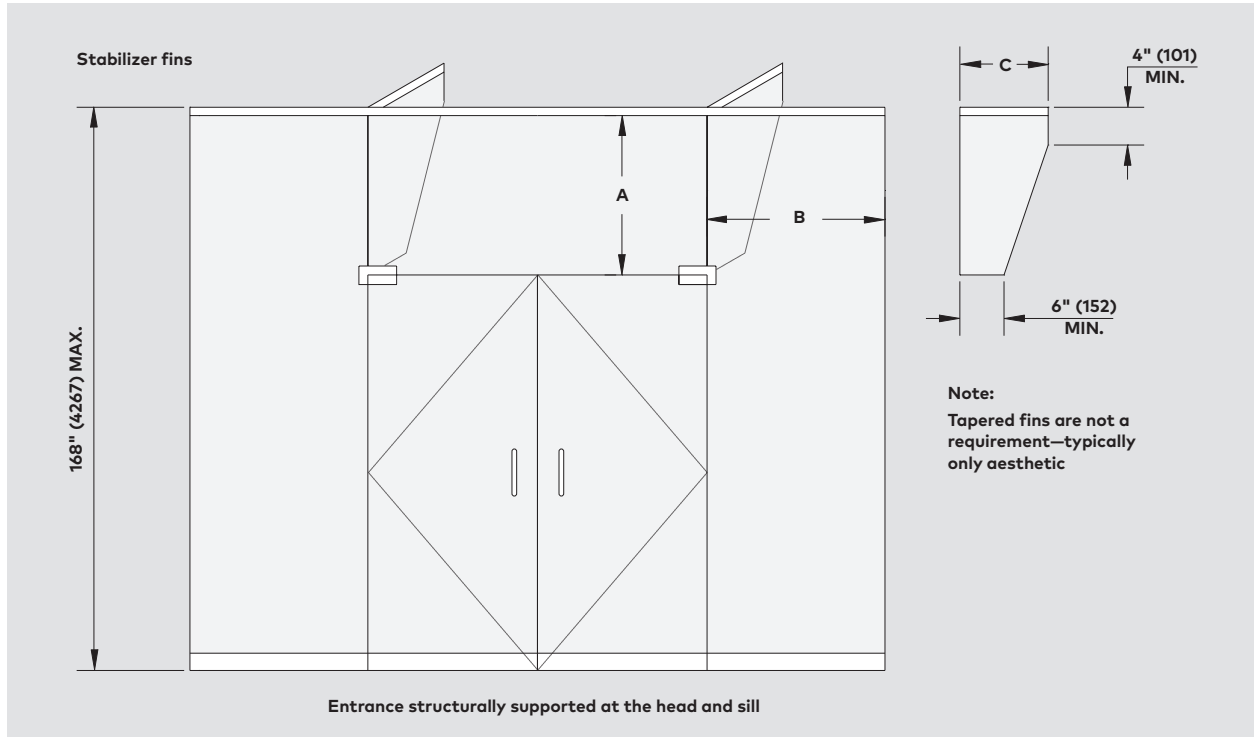
3/4" (19) glass  
**Ref. No. 801.125**

**Note:**

All glass preparation detail drawings are

**Scale 1 : 2**

# Fin usage and assembly



Risk of excessive deflection increases as the distance from the door's upper pivot to structure increases. To reduce deflection, glass fins mounted perpendicular to the glass wall should be employed.

To determine if fins are required, contact dormakaba Customer Service or refer to GANA guidelines. Transom height (dimension A), sidelite width (dimension B as shown in the elevation—or a total width to nearest support point in the case of multiple sidelites) and fin top width (dimension C).

Individual situations and site conditions may require additional support to adequately reduce deflection. Exterior applications up to 13' (4 m) should have job-specific calculations processed. Exterior applications over 13' (4 m) require a set of full engineering specifications.

**Note:**

When fins are used, they must be mechanically fastened to provide adequate support at header. If transom weight exceeds 75 lb (34 kg), it should also be mechanically fastened to structure above to provide additional support.

# Mechanical channel

## Mechanical channel

Consists of base section with bore holes every 11-13/16" (300), including clamping parts with screws and gasket strips.

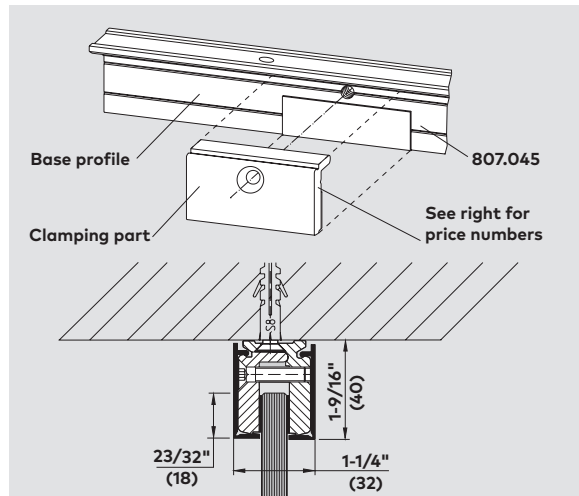
## Application

All around frame system for tempered glass assemblies, with fittings on sides and ceiling.

The **safety type** prevents free hanging glass panels from falling down by mounting the clamping fitting through glass holes. 33 lb (15 kg) load for each

clamping part, torque for fixing screws 7.5 lb-ft / 10 Nm (M 6 = hex key size 4).

## Standard type



### Base profile standard type

157" (4000) stock length

### Weight in lb/ft (kg/m)

Aluminum .805 (1.200)

for 3/8" (10) through 3/4" (19) glass thickness

### Ref. No. 807.045

### Clamping part standard type

2-3/8" (60) long with screw and gasket

### Weight in lb/ft (kg/m)

Aluminum 0.037 (0.055)

3/8" (10) glass

### Ref. No. 807.004

1/2" (12) glass

### Ref. No. 807.085

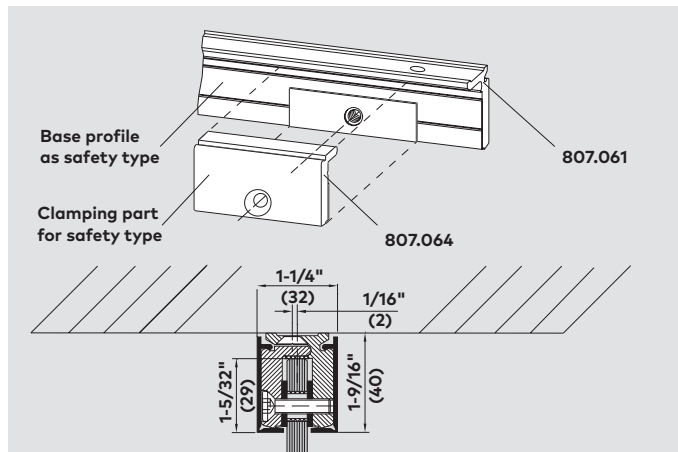
5/8" (15) glass

### Ref. No. 807.087

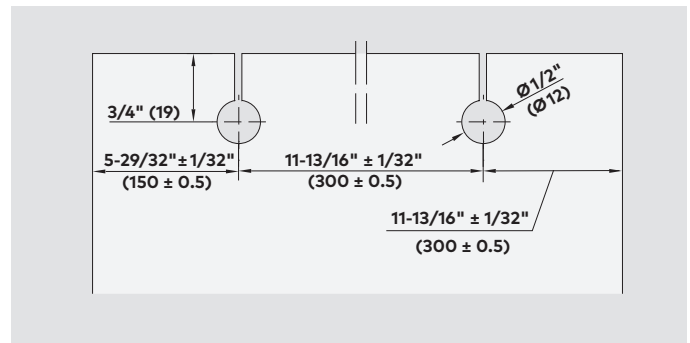
3/4" (19) glass

### Ref. No. 807.089

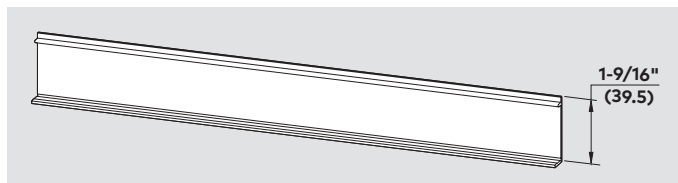
## Tempered monolithic 3/8" (10) glass only



## Glass preparation for safety type mechanical channel



## Clip-on cover



### Clip-on cover profile

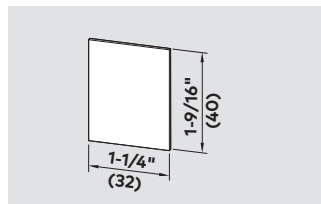
157" (4000) stock length, brass, stainless steel, satin and stainless steel polished available

### Ref. No. 807.003

### Weight in lb/ft (kg/m)

Aluminum 0.137 (0.203)  
Brass 0.252 (0.373)  
Stainless steel 0.252 (0.373)

## End caps & filler blocks

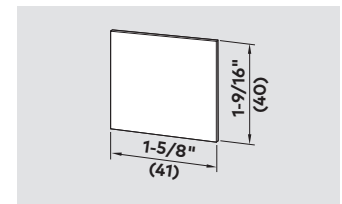


**End cap** for 3/8" (10) and 1/2" (12) glass thickness

### Ref. No. 807.007

### Weight in lb (kg)

Aluminum 0.484 (0.220)  
Brass 1.383 (0.629)  
Stainless steel 1.348 (0.613)



**End cap** for 5/8" (15) and 3/4" (19) glass thickness

### Ref. No. 807.065

# Safety-related information

## Important safety-related information for the mounting and use of dormakaba glass fittings

Follow these instructions in addition to the mounting and operating instructions in order to avoid damage of product and damage to person or property.

**Important:** All users must be informed about relevant points mentioned in these safety-related information and the mounting and operating instructions!

### General information

1. dormakaba recommends using fully tempered glass, Kind FT, which complies with ASTM C 1036 and ASTM C 1048 requirements, including those indicated by reference to type, class, quality.
2. dormakaba glass fittings are not suitable for application in rooms such as indoor swimming pools, saunas, or salt-water pools, where chemicals (chlorine, for example) are used.
3. Do not shut swing doors with excessive force. Install door stop to prevent door from opening too far.

### Mounting

1. Only properly qualified and specially trained staff are authorized to mount dormakaba glass fittings.
2. Never use glass with conchoidal fractures and/or damaged edges.
3. Due to crushing and possible injury caused by breakage of glass during mounting, appropriate protective clothing (especially gloves and protective goggles) is required.
4. Clean clamping area with alcohol-based solvent (standard commercial cleaning agent) before mounting the glass fitting. Always use silicone and oil-free cleaners.

5. Never clamp metal fitting hardware directly to glass surfaces or use glass of heavily varying thickness unless with a corresponding leveling layer.
6. Never use clamping products with self-cleaning coatings.
7. When adjusting glass elements, always stick to the required clearance for the respective fitting. Adjust clearance so that the glass does not touch hard components such as glass, metal or concrete.
8. Make sure not to use excessive force when installing the glass (avoid over tightening screws).

### Maintenance

Check fittings at regular intervals for proper positioning and smooth running and door for correct adjustment. Function of fittings is recommended to be inspected every 500,000 movements by a specialist. Immediately replace damaged glass elements (no glass flaking and/or conchoidal fractures)!

### General care instructions

The surface finishes of the fittings are not maintenance-free and should be cleaned according to their material and design.

- For metallic surfaces (anodized finishes, stainless steel) only use appropriate cleaning agents without abrasive additives.
- For varnished surfaces, only use appropriate solvent-free cleaning agents only.
- Brass surfaces (without surface protection) have to be treated periodically with an appropriate maintenance agent, to avoid tarnishing.

**For practical planning, please refer to dormakaba technical drawings.**







dormakaba USA Inc.  
Dorma Drive, Drawer AC  
Reamstown, PA 17567  
800.523.8483

dormakaba Canada Inc.  
1680 Courtney Park Drive  
Unit 13  
Mississauga, ON L5T 1R4  
800.387.4938