



Kerberos Tripod Barriers

High-quality Kerberos Tripod Turnstiles

Practical
Robust
Easy to use

Kerberos Tripod Turnstiles relieve reception staff and take over access control in the most varied situations. Our proven control technology comfortably controls user flow even in times of high throughput.

Versatility

For access to the premises or the company building, a variety of attractive designs for single or multiple installations are available. Our high-quality tripod turnstiles are made of stainless steel and suitable for indoor and outdoor installation.

Minimal power consumption

The quiet low-energy drive consumes only very little energy and due to the low forces minimizes the risk of injury for the users during rotation.

Clearing and barring passage automatically

In an emergency, versions with foldable bars clear the escape route in both directions¹. The foldable crossbar is reset automatically as soon as the critical event is over. Both can also be initiated by authorized reception staff using an operating device, for example for goods transport.

¹ Individual approval required (responsible building authority)



Advantages of Kerberos Tripod Turnstiles

The products are developed with a clear focus on the requirements of users, operators and the structural environment.

- Foldable bars and automatic reset
- Modular individual and multiple installations
- Comfortable passage thanks to servo positioning drive
- Minimal energy consumption due to low-energy drive
- Low energy drive ensures safe passage
- Suitable for outdoor installation
- With additional equipment, suitable for emergency and escape routes
- Barrier-free solutions in conjunction with automatic half-height swing doors in suitable design



As barrier-free solutions we offer swing doors in matching design.

The ideal solution for any access point



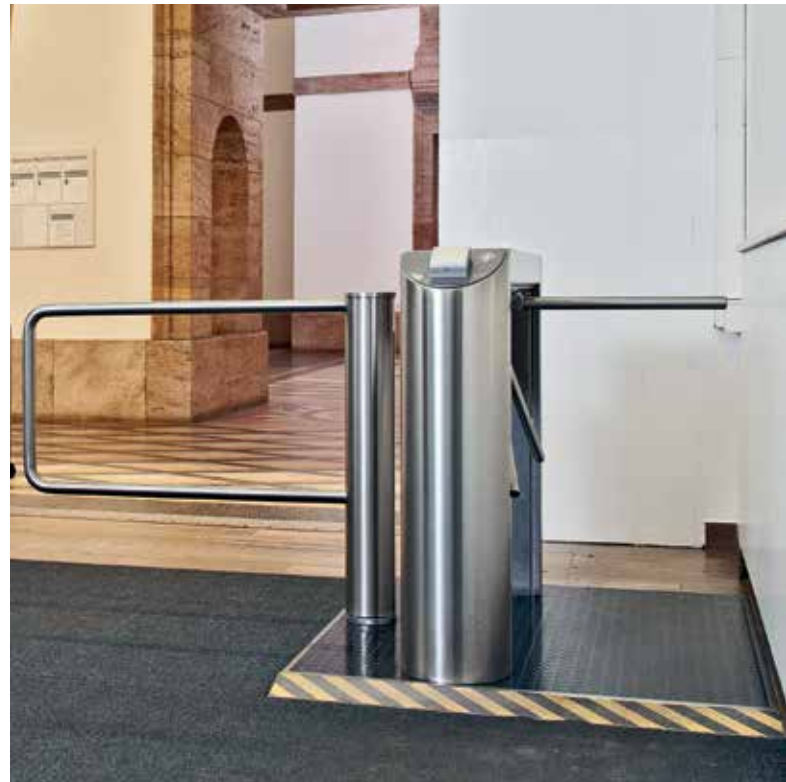
Compatible with a wide range of ticket management systems

Multiple units in large entrance hall



Compact solution for low depth rooms

Mobile application on pallet



For quick entry to:

- Office and administrative buildings
- Ministries
- Public authorities
- Manufacturing plants
- Airports
- Banks and financial institutions
- Stadiums
- Amusement parks

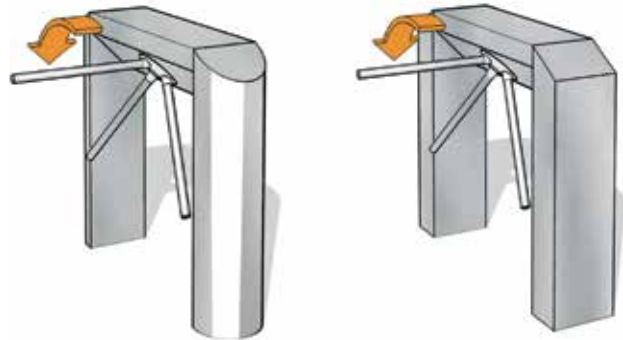
Kerberos Tripod Turnstiles

Throughput rate	= up to 45 per minute
Security level	= ●○○○○
Comfort	= ●●●○○
Staff supervision	= yes





Kerberos Tripod Turnstiles



Standard units	
Construction	Description
	Housing material
	Base column, base or flange plate material
	Crossbar material
Finish	
Function	
Electrical equipment	
	Power supply
	Standby power consumption
Installation	
Protection classes	

TPB-E02

TPB-E01

Housing and base columns in a single unit (open design).

AISI 304 stainless steel.

AISI 304 stainless steel.

AISI 304 stainless steel.

Stainless steel satin finish.

Type 0 *
Type 1.1 **
Type 1.2 ***
Type 2 ****

Control system integrated in the unit.

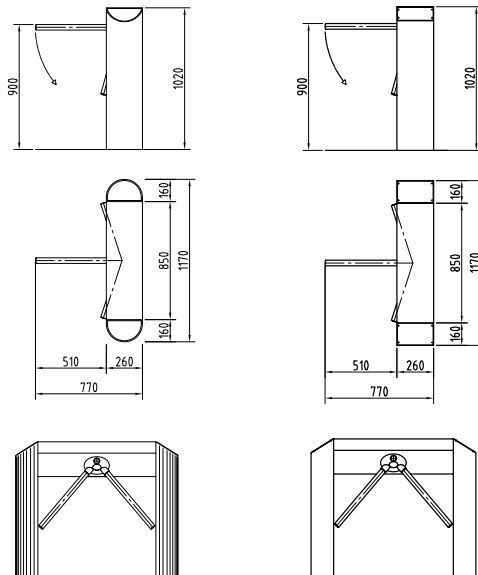
100 - 240 VAC, 50/60 Hz, 253 VA.

10 VA.

Dowelled on finished floor level, FFL.

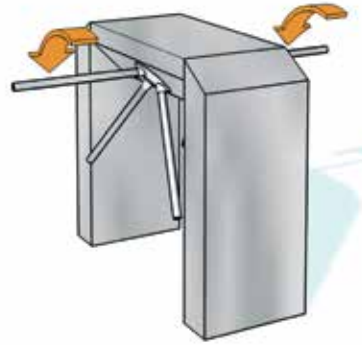
Suitable for outdoor installation.

Housing IP33, components conducting supply voltage IP43.



- * Type 0 Manual motion; mechanically free in one direction/ opposite direction blocked.
- ** Type 1.1 Manual motion; electrically controlled in one direction/ opposite direction blocked (closed in both directions with no current).
- *** Type 1.2 Manual motion; electrically controlled in two directions (closed in both directions with no current).
- **** Type 2 Power-assisted motion; servo positioning drive/ electrically controlled in 2 directions

All dimensions in mm



TPB-C01

Housing and base columns enclosed with additional back plate made of stainless steel AISI 304.

AISI 304 stainless steel.

AISI 304 stainless steel.

AISI 304 stainless steel.

Stainless steel satin finish.

Type 2****

Control system integrated in the unit.

100 - 240 VAC, 50/60 Hz, 253 VA.

10 VA.

Dowelled on finished floor level, FFL.

Not suitable for outdoor installation.

Housing IP33, components conducting supply voltage IP43.

TPB-L06

Housing and base columns in a single unit (open design).

Double unit based on the TPB-E01, particularly space-saving design.

AISI 304 stainless steel.

AISI 304 stainless steel.

AISI 304 stainless steel.

Stainless steel satin finish.

Type 0 *

Type 1.1 **

Type 1.2 ***

Type 2 ****

Control system integrated in the unit.

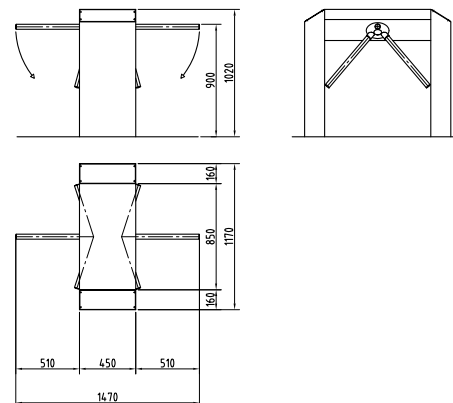
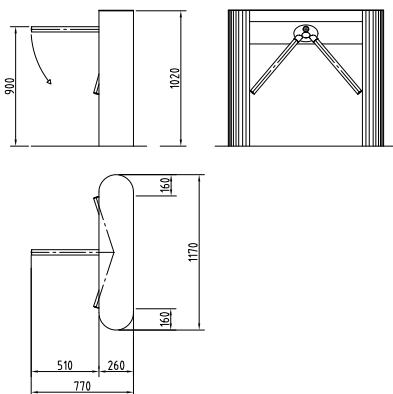
100 - 240 VAC, 50/60 Hz, 506 VA.

20 VA.

Dowelled on finished floor level, FFL.

Suitable for outdoor installation.

Housing IP33, components conducting supply voltage IP43.

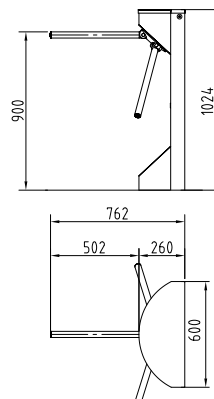


Kerberos Tripod Turnstiles

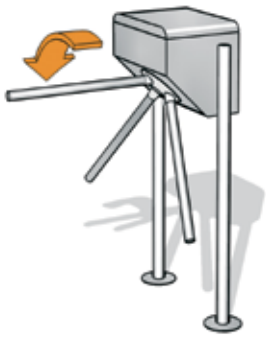


Standard units		TPB-L07
Construction	Description	Housing and base columns in a single unit (open design).
	Housing material	AISI 304 stainless steel.
	Base column, base or flange plate material	AISI 304 stainless steel.
	Crossbar material	AISI 304 stainless steel.
Finish		Stainless steel satin finish.
Function		Type 0 * Type 1.1 ** Type 1.2 *** Type 2 ****
Electrical equipment		The control unit is integrated into the unit.
	Power supply	100 - 240 VAC, 50/60 Hz, 253 VA.
	Standby power consumption	10 VA.
Installation		Dowelled on finished floor level, FFL.
		Suitable for outdoor installation.
Protection classes		Housing IP33, components conducting supply voltage IP43.

- * Type 0 Manual motion; mechanically free in one direction/ opposite direction blocked.
- ** Type 1.1 Manual motion; electrically controlled in one direction/ opposite direction blocked (closed in both directions with no current).
- *** Type 1.2 Manual motion; electrically controlled in two directions (closed in both directions with no current).
- **** Type 2 Power-assisted motion; servo positioning drive/ electrically controlled in 2 directions



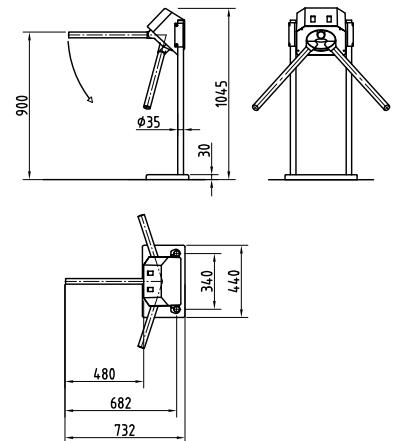
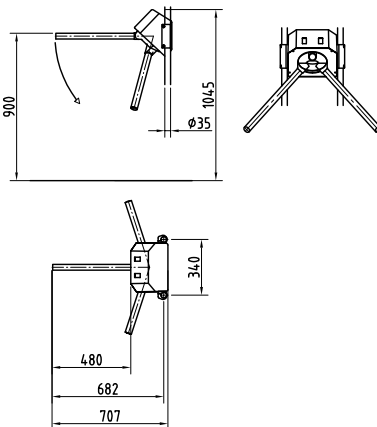
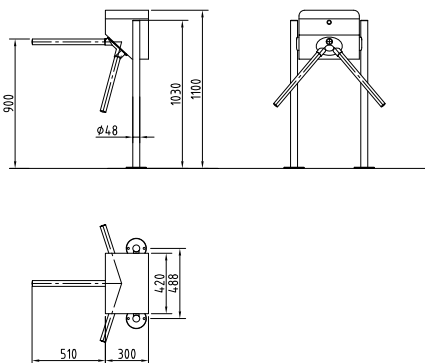
All dimensions in mm



TPB-S03
Housing with base column and flange plate.
Aluminium.
AISI 304 stainless steel
AISI 304 stainless steel
Stainless steel satin finish. Aluminium housing painted in RAL 9006.
Type 2****
Control system integrated in the unit.
100 - 240 VAC, 50/60 Hz, 253 VA.
10 VA.
Dowelled on finished floor level, FFL.
Suitable for outdoor installation.
Housing IP33, components conducting supply voltage IP43.

TPB-L04
Housing for attachment to equipment provided by the customer.
Signal device red/green display, square version flush-mounted in the housing.
Plastic.
-
Aluminium.
Grey plastic RAL 7016.
Type 0 * Type 1.1 ** Type 1.2 ***
Control system integrated in the unit, power supply provided by customer.
24 VDC.
10 VA.
Clamp fixing, Ø approx. 35 mm to equipment provided by the customer.
Not suitable for outdoor installation.
Housing IP33, components conducting supply voltage IP43.

Option
TPB-L04 with option "Base columns made of stainless steel satin finish AISI 304."

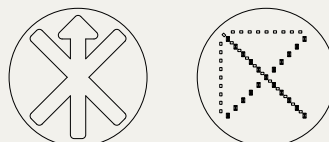


Options (depending on unit type)

	TPB-E01	TPB-E02	TPB-C01	TPB-L06	TPB-L07	TPB-S03	TPB-L04
Construction							
Plastic cover plate	•	•					
Base column AISI 304, stainless steel with satin finish.							•
Function							
Counter, random generator with horn.	•	•	•	•	•	•	
Escape route module with emergency push-button, additional emergency push-button available.	•	•	•	•	•	•	
Collapsible bars on unit types 1.1, 1.2 and 2. Automatic reset on type 2.	•	•	•	•	•	•	•
Electrical equipment							
Installation preparation on flat surface.	•	•		•			
Different consoles made completely of stainless steel or plastic.					•	•	
Push button on flat surface.	•	•	•	•	•	•	
Operating panels and frames or surface mount housing.	•	•	•	•	•	•	•
Additional circuit boards for expanding existing inputs and outputs on unit type 2.	•	•	•	•	•	•	
Various signal devices.	•	•	•	•	•	•	
Star hub (connection of max. four OPLs possible).	•	•	•	•	•	•	
Installation							
Pallet with stainless steel ramp and rubber covering, approx. 1.0 m x 1.5 m, height approx. 32 mm.	•	•	•	•	•	•	
With substructure X = 80 - 160 mm for sub floor level.	•	•	•	•			
With substructure X = 80 - 180 mm for sub floor level.					•	•	
With cast-in clamping sleeves and rosettes for structural floor level.							•



OPL 05 operating panel.



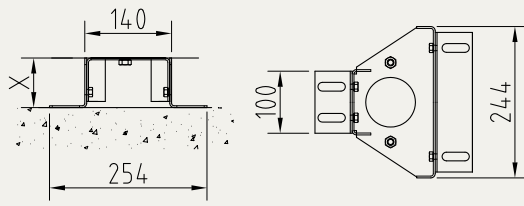
Signal device LED arrow-cross
(installed in the housing or in the
cover plate of both sides)



Console 1 with plastic adapter in
RAL 9006, W/H/D 94/94/65 mm
with Ø 65 mm cut-out, fixed to
lateral barrier.

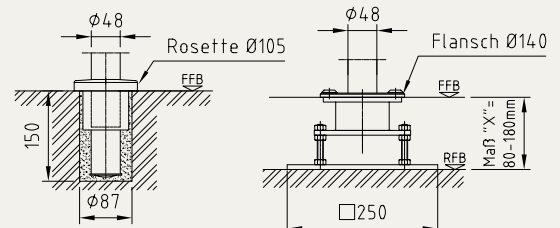
Installation variants

TPB-E02/C01



Substructure

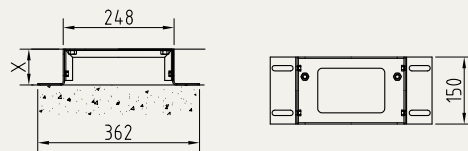
TPB-S03



Cast-in

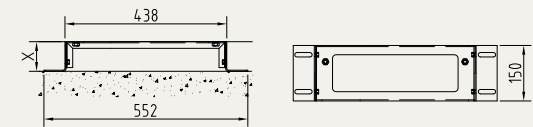
Substructure

TPB-E01



Substructure

TPB-L06

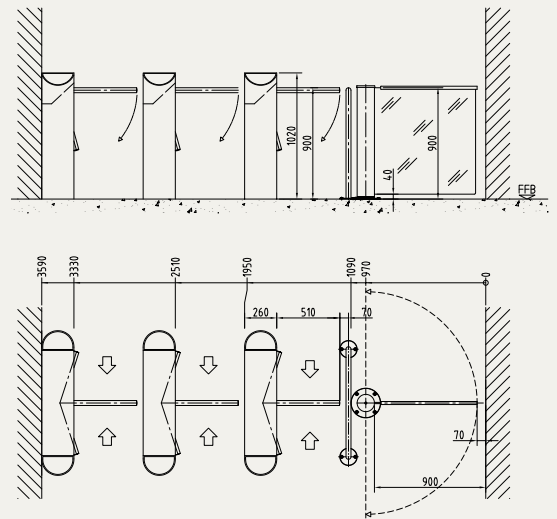
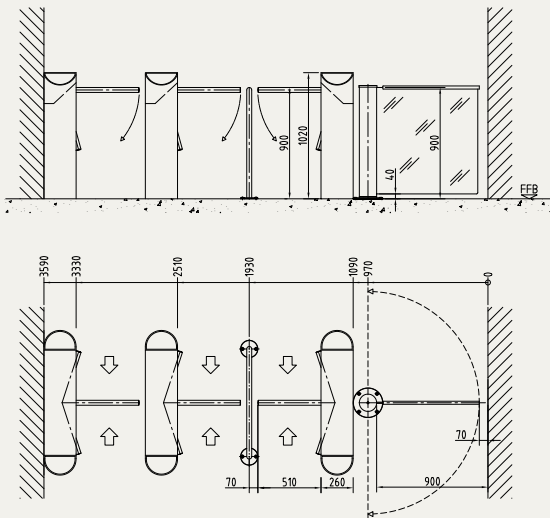


Substructure

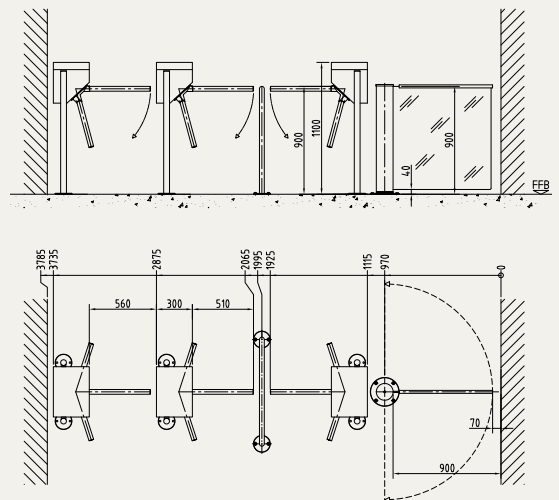
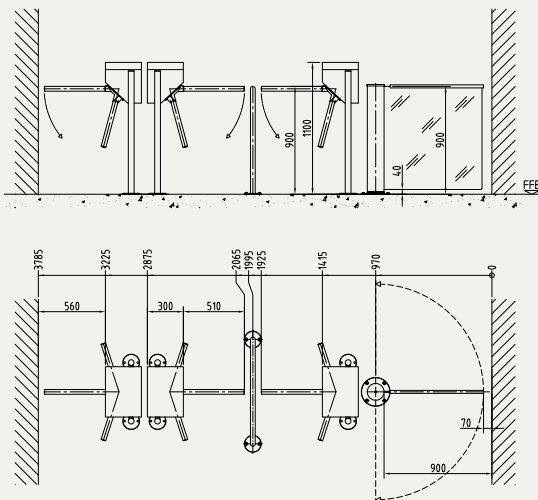
Rosette	Rosette
Flansch	Flange
FFB	FFL
RFB	SFL
Maß „X“	Dimension X

Installation diagrams

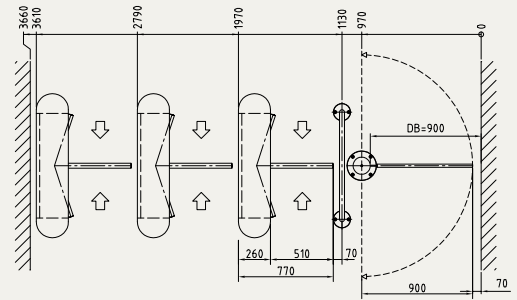
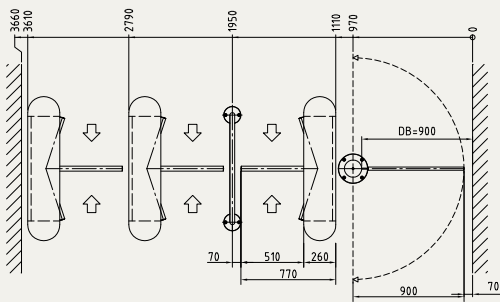
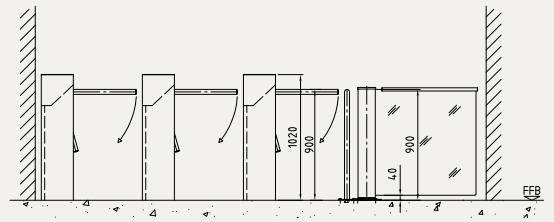
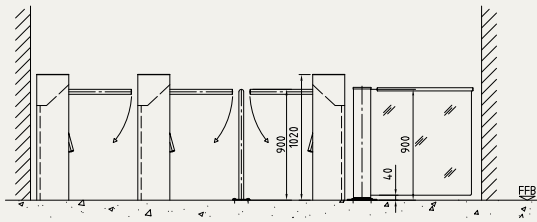
TPB-E02 examples



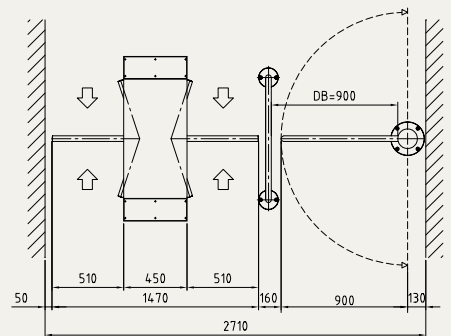
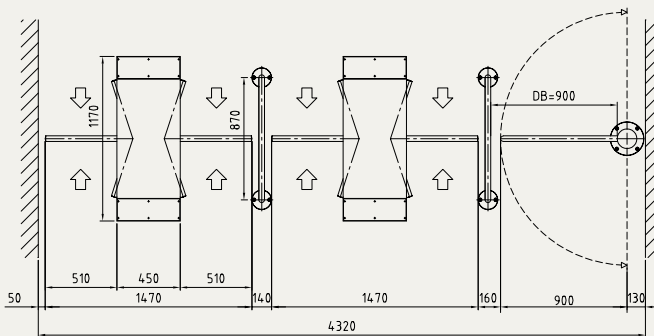
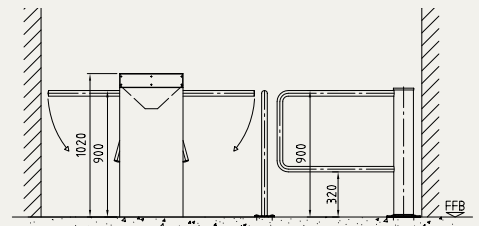
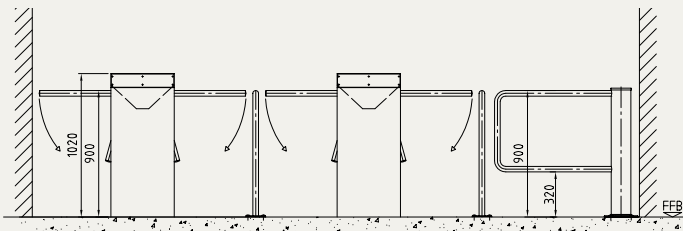
TPB-S03 example



TPB-C01 example



TPB-S03 example





www.dormakaba.com.au

Australia

Head Office
12-13 Dansu Court
Hallam VIC 3803
T: 1800 675 411
info.au@dormakaba.com
www.dormakaba.com.au

New Zealand

Head Office
Building P
61-69 Patiki Road
Avondale Auckland 1026
T: 0800 436 762
info.nz@dormakaba.com
www.dormakaba.co.nz