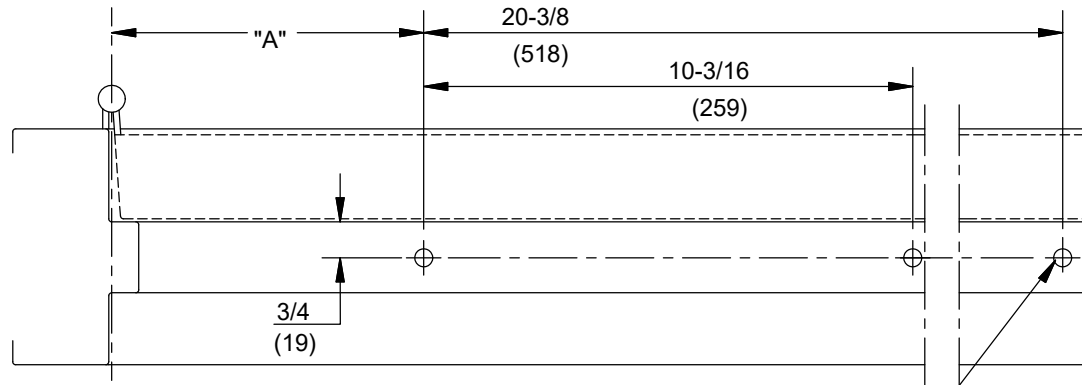


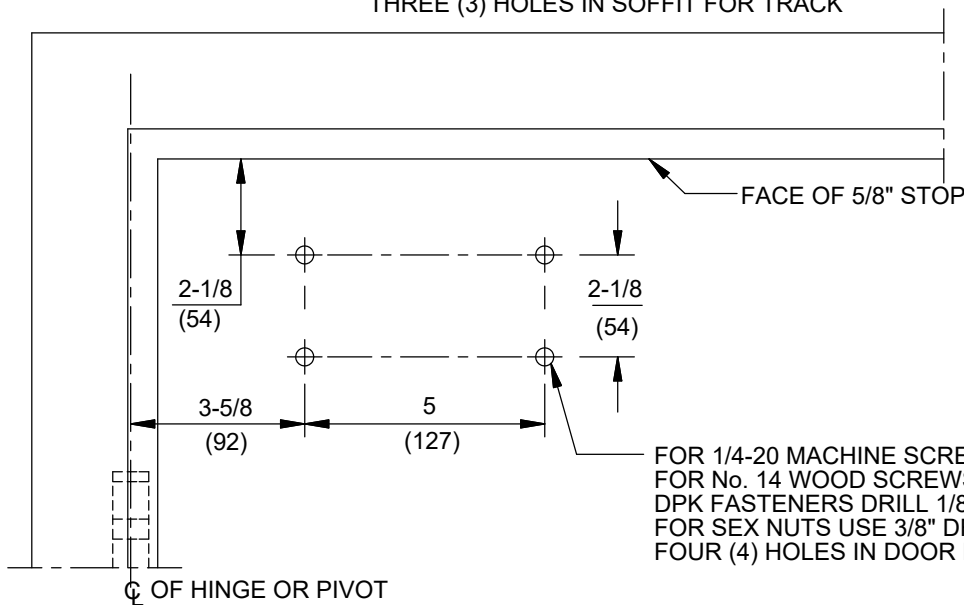
NOTES:

1. DO NOT SCALE DRAWING.
2. DIMENSIONS ARE IN INCHES/(MM).
3. LEFT HAND DOOR SHOWN.
4. CAUTION: SEX NUTS ARE REQUIRED FOR ATTACHMENT OF COMPONENTS TO UNREINFORCED DOORS AND TO WOOD OR PLASTIC FACED COMPOSITE TYPE FIRE DOORS, UNLESS AN ALTERNATIVE METHOD IS IDENTIFIED IN THE INDIVIDUAL DOOR MANUFACTURER'S LISTINGS.
5. MAXIMUM OPENING 94°, WITHOUT RUBBER STOP.
6. MAXIMUM OPENING 90° WITH RUBBER STOP.
7. SEE CATALOG FOR HOLD OPEN RANGE INFORMATION.
8. OPTIONAL DPK FASTENERS (DPK89) FOR STEEL DOOR & FRAME ONLY.

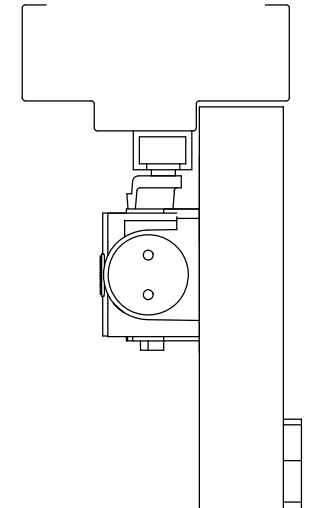


FOR 1/4-20 MACHINE SCREWS USE 7/32 DRILL
 FOR No. 14 WOOD SCREWS USE 5/32" DRILL
 DPK FASTENERS DRILL 1/8" PILOT HOLE
 THREE (3) HOLES IN SOFFIT FOR TRACK

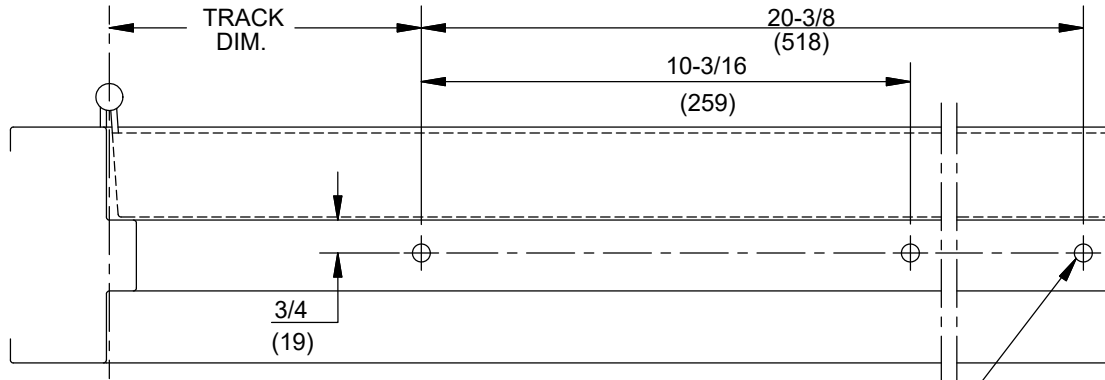
ANGLE OF OPENING	DIM "A" TRACK
85°	10-3/4 (273)
90°	9 (229)



FOR 1/4-20 MACHINE SCREWS USE 7/32 DRILL & TAP
 FOR No. 14 WOOD SCREWS USE 5/32" DRILL
 DPK FASTENERS DRILL 1/8" PILOT HOLE
 FOR SEX NUTS USE 3/8" DRILL
 FOUR (4) HOLES IN DOOR FOR CLOSER



DOOR CLOSER MODELS: 8916, 8956 PT, PTH
 PARALLEL TRACK INSTALLATION (PUSH SIDE MOUNT)

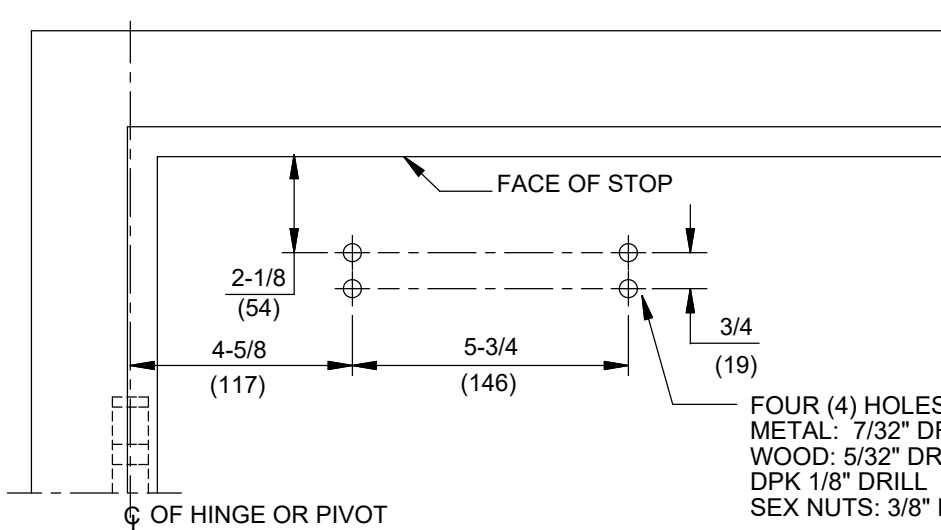


THREE (3) HOLES IN FRAME FOR TRACK
 METAL: 7/32" DRILL & 1/4-20 UNC TAP
 WOOD: 5/32" DRILL
 DPK: 1/8" DRILL

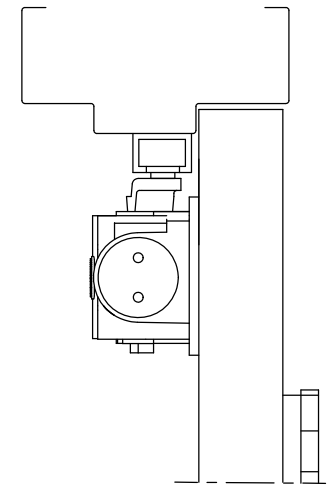
NOTES:

1. DO NOT SCALE DRAWING.
2. DIMENSIONS ARE IN INCHES/(MM).
3. LEFT HAND DOOR SHOWN.
4. CAUTION: SEX NUTS ARE REQUIRED FOR ATTACHMENT OF COMPONENTS TO UNREINFORCED DOORS AND TO WOOD OR PLASTIC FACED COMPOSITE TYPE FIRE DOORS, UNLESS AN ALTERNATIVE METHOD IS IDENTIFIED IN THE INDIVIDUAL DOOR MANUFACTURER'S LISTINGS.
5. MAXIMUM OPENING 94°, WITHOUT RUBBER STOP.
6. MAXIMUM OPENING 90° WITH RUBBER STOP.
7. USE TOP FOUR HOLES TO MOUNT PLATE TO DOOR.
8. SEE CATALOG FOR HOLD OPEN RANGE INFORMATION.
9. OPTIONAL DPK FASTENERS (DPK89) FOR STEEL DOOR & FRAME ONLY.

ANGLE OF OPENING	TRACK DIM.
85°	9 (229)
90°	6-1/2 (165)



FOUR (4) HOLES IN DOOR FOR PLATE
 METAL: 7/32" DRILL & 1/4-20 UNC TAP
 WOOD: 5/32" DRILL
 DPK 1/8" DRILL
 SEX NUTS: 3/8" DRILL



DOOR CLOSER MODELS: 8916, 8956 PT89, PT89H
 PARALLEL TRACK INSTALLATION (PUSH SIDE MOUNT)
 WITH PLATE BP89