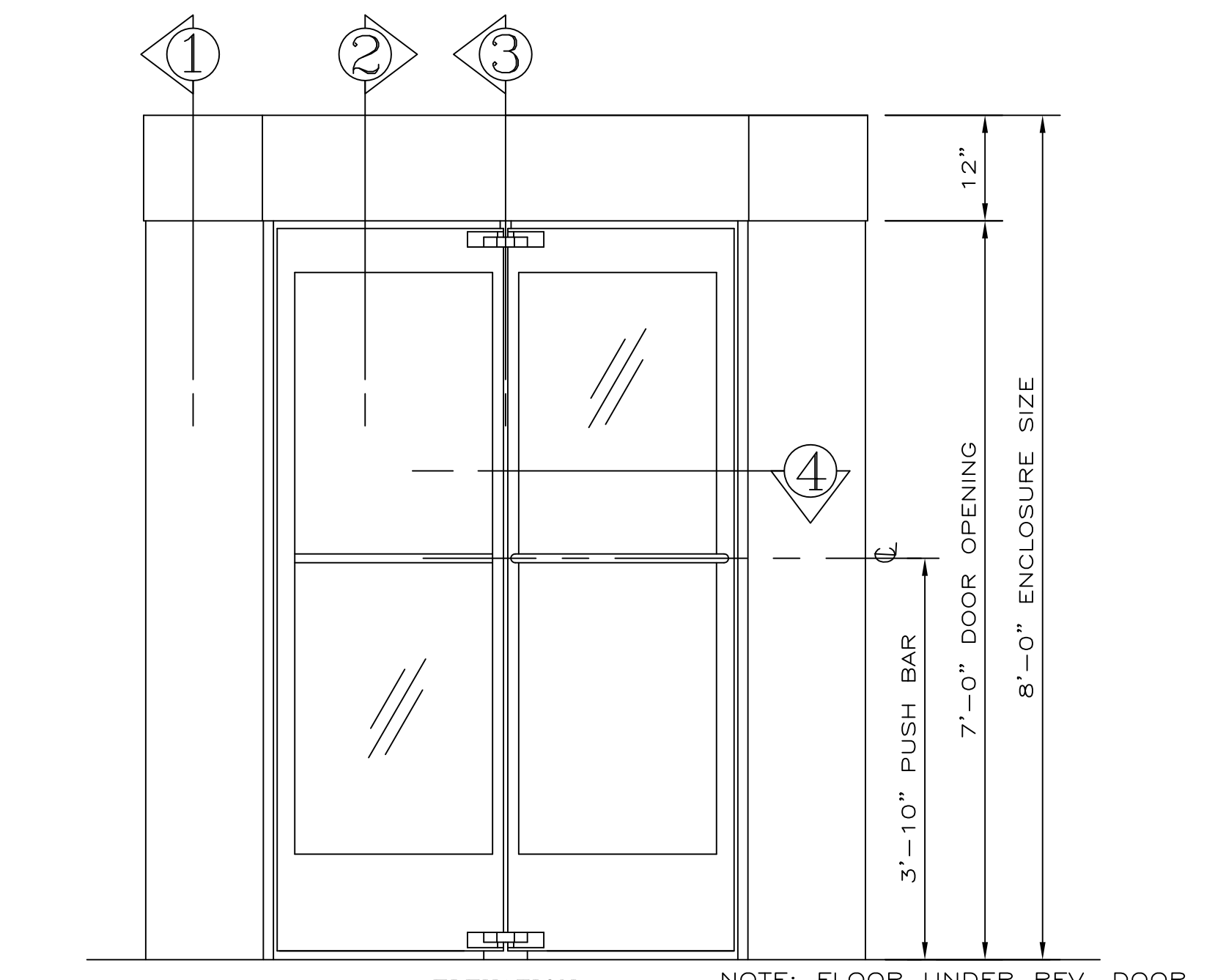
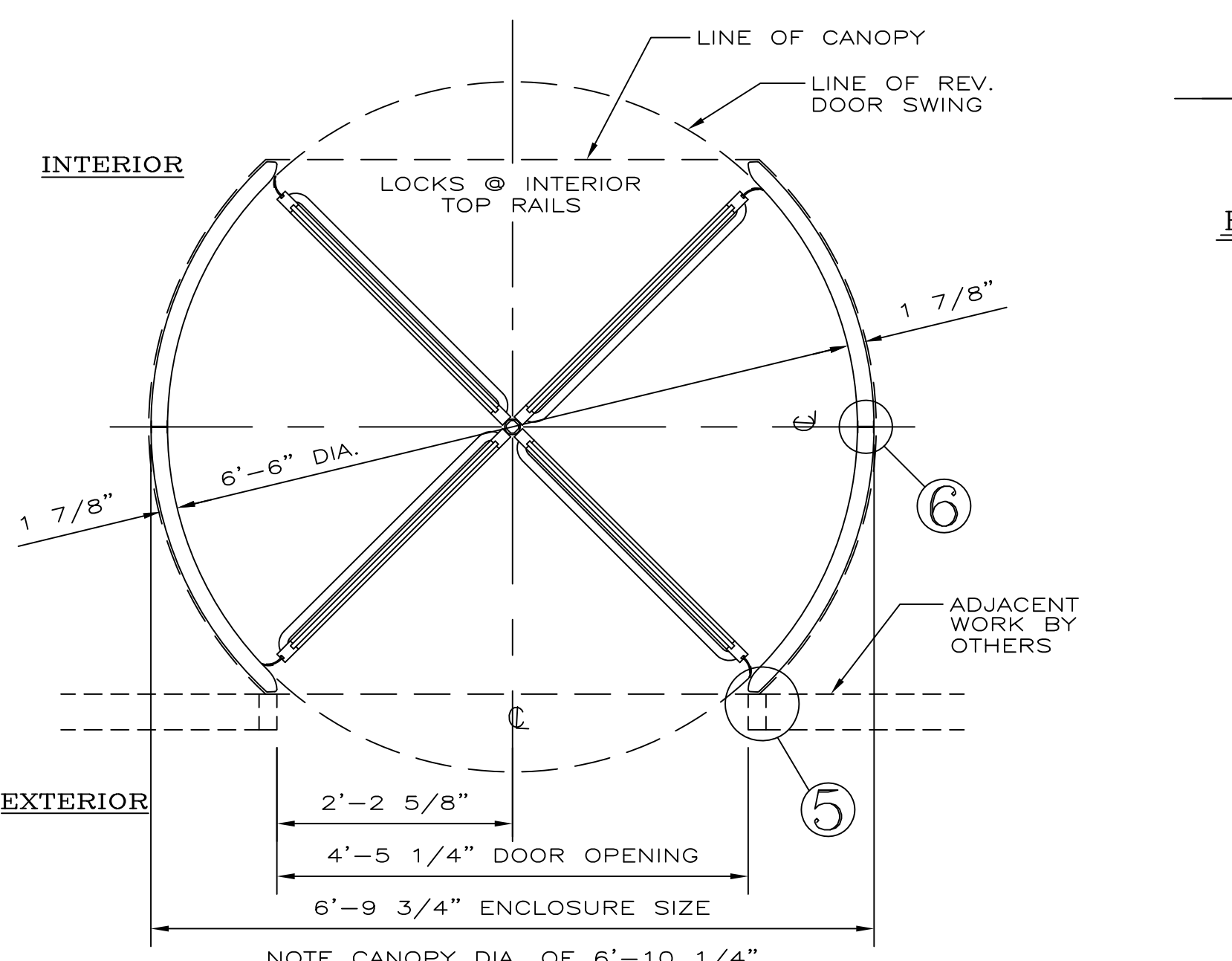


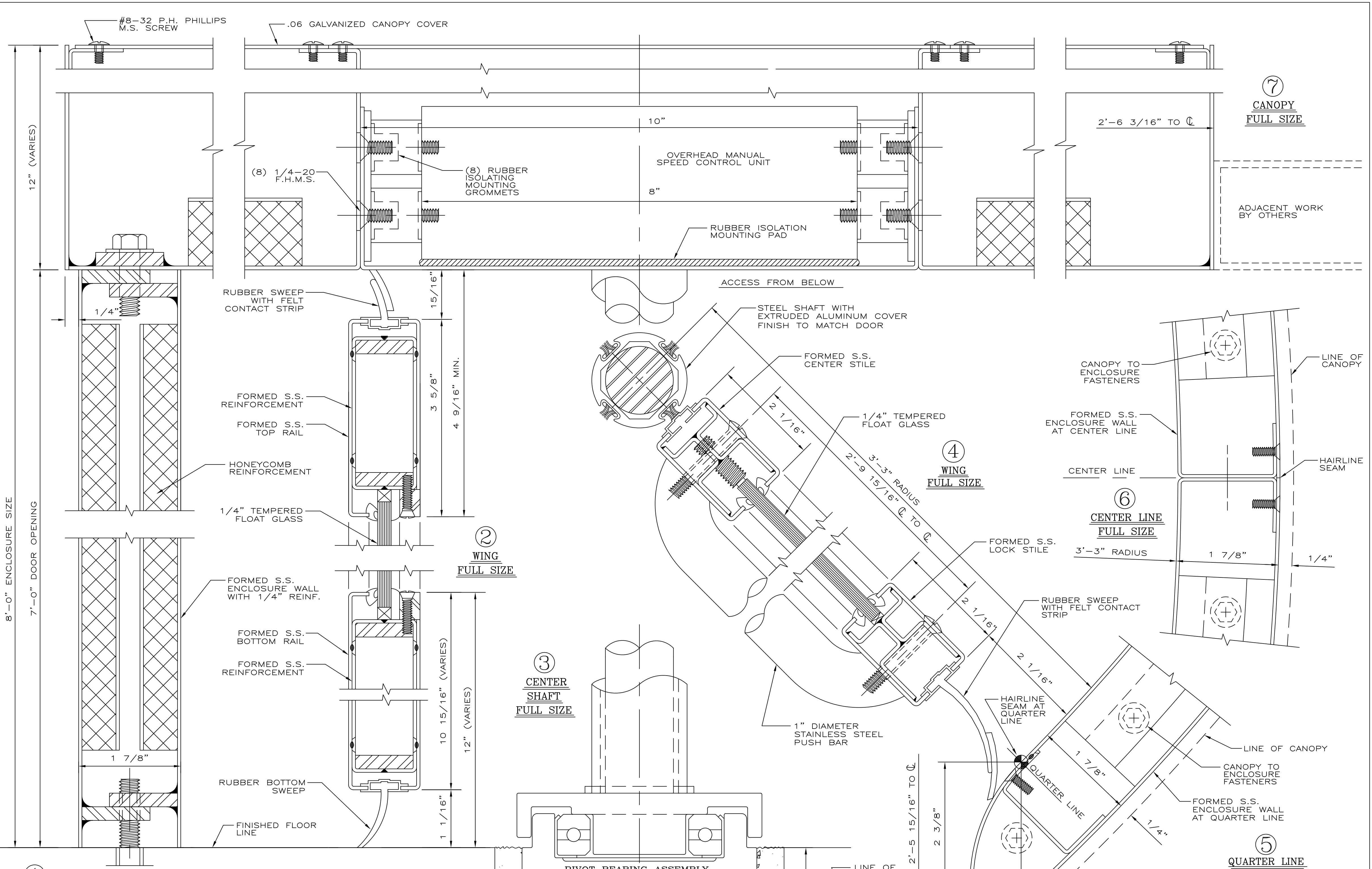
CANOPY REINFORCING PLAN
SCALE: 3/4" = 1'-0"



ELEVATION
NOTE: FLOOR UNDER REV. DOOR MUST BE LEVEL.
ONE (1) DOOR REQUIRED THUS
SCALE: 3/4" = 1'-0"



PLAN
NOTE CANOPY DIA. OF 6'-10 1/4"
SCALE: 3/4" = 1'-0"



1 ENCLOSURE WALL FULL SIZE

2 WING FULL SIZE

3 CENTER SHAFT FULL SIZE

4 WING FULL SIZE

6 CENTER LINE FULL SIZE

5 QUARTER LINE FULL SIZE

CONTRACTOR NOTE:
CONTRACTOR TO PROVIDE A 5/16" X 2" DEEP CUT OUT TO ACCEPT FLOOR MOUNTED PIVOT BEARING.

GENERAL NOTES

CONTRACTOR SHOULD CHECK & TAKE NOTE OF ALL DIMENSIONS AS C.D.C. (CRANE DOOR CO.) ASSUMES NO RESPONSIBILITY BEYOND MANUFACTURING IN ACCORDANCE WITH THE DIMENSIONS SHOWN ON SHOP DRAWINGS.

APPROVAL INDICATES THAT THIS SHOP DRAWING HAS BEEN CHECKED AND THAT YOU AUTHORIZE US TO FABRICATE MATERIALS AS SHOWN HERE-IN.

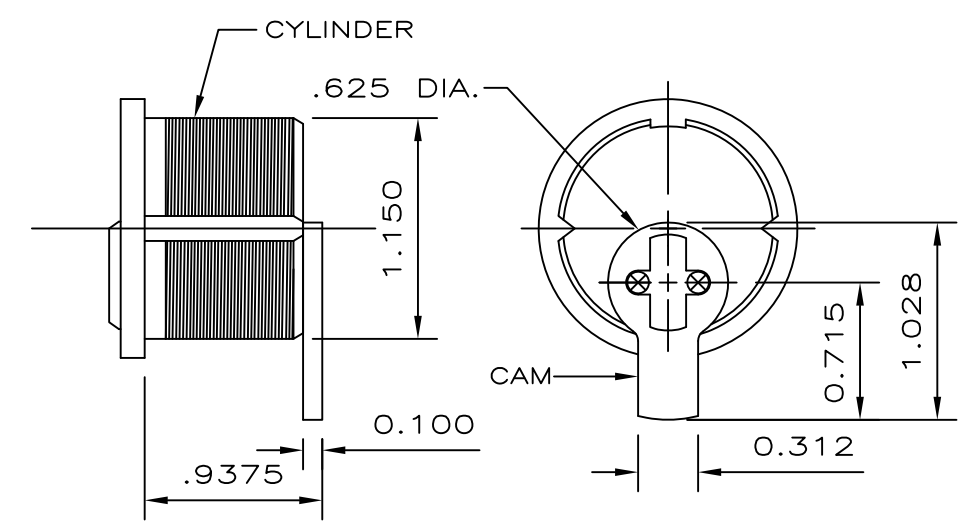
REVOLVING DOOR PERIMETER CAULKING (INCLUDING BASE SECTION TO FLOOR) AND CANOPY COVER CAULKING NOT BY C.D.C. ALL HOLES IN FLOOR NOT BY C.D.C.

MATERIAL TO BE:
MINIMUM .060 THICKNESS STAINLESS STEEL TYPE 304 (UNLESS OTHERWISE SPECIFIED)

FINISH TO BE:
CRANE STANDARD #4 SATIN

GLASS TO BE: CLEAR
1/4" TEMPERED FLOAT FOR WINGS

GLASS TO MEET ANSI Z97.1 AND 16 CFR 1201. ALL TEMPERED GLASS TO HAVE SAFETY LOGOS. IF ADDITIONAL LOGOS ARE REQUIRED PLEASE SPECIFY.



TYPICAL CYLINDER AND "STRAIGHT ARM" TYPE CAM REQUIRED SUPPLIED BY OTHERS
FULL SIZE
NOTE: ADAMS-RITE CAM MAY BE SUBSTITUTED

HARDWARE SCHEDULE

- OVERHEAD MANUAL SPEED CONTROL UNIT.
- FLOOR MOUNTED PIVOT BEARING ASSEMBLY.
- FULVIEW II PANIC PROOF BOOK-FOLD MECHANISM IN COMPLIANCE WITH ALL APPLICABLE REGULATIONS.
- LOCKS: SPECIAL REV. DOOR TYPE TWO (2) REQUIRED INSTALLED AT TOP RAILS OF TWO ADJACENT WINGS FOR INTERIOR LOCKING.
- CYLINDERS: STANDARD SIZE MORTISE TYPE, TWO (2) REQUIRED PER REV. DOOR UNIT, TO BE SUPPLIED BY OTHERS TO C.D.C. FOR SHOP INSTALLATION.
- PUSH BARS: 1" DIA. STAINLESS STEEL, FINISH TO MATCH DOOR.

INSTALLER NOTE:
BOOK-FOLD TENSION IS NOT PRESET; IT MUST BE ADJUSTED TO MEET BUILDING CONDITIONS.

NOTE: PRIOR TO FABRICATION, SHOP DRAWINGS AND FINISH SAMPLES MUST BE FULLY APPROVED AND RETURNED TO C.D.C.

CRANE DOOR
REVOLVING DOORS™

PHONE: 847-295-2700 FAX: 847-295-5288

SCALE: AS SHOWN JOB NAME: XXX

DRAWN BY: JG

REVISIONS:

FAB. CHECK:	LOCATIONS:	PLEASE ADVISE
CHECKED BY:	ARCHITECT:	PLEASE ADVISE
ORD. NO.:	CONTRACTOR:	PLEASE ADVISE
DATE: 2009	SUB. CONTRACTOR:	PLEASE ADVISE
	MFG. REPRESENTATIVE:	PLEASE ADVISE

DATE: 2009 SHEET 1 OF 1 DRAWING NO.: SS 3000 N