

# High Security Padlock

## P8093 CEN 6



**Description:**

Maximum Security applications including remote sites within the utility and infrastructure sectors as well as general perimeter security, and security on track side/road side enclosures and cabinets.

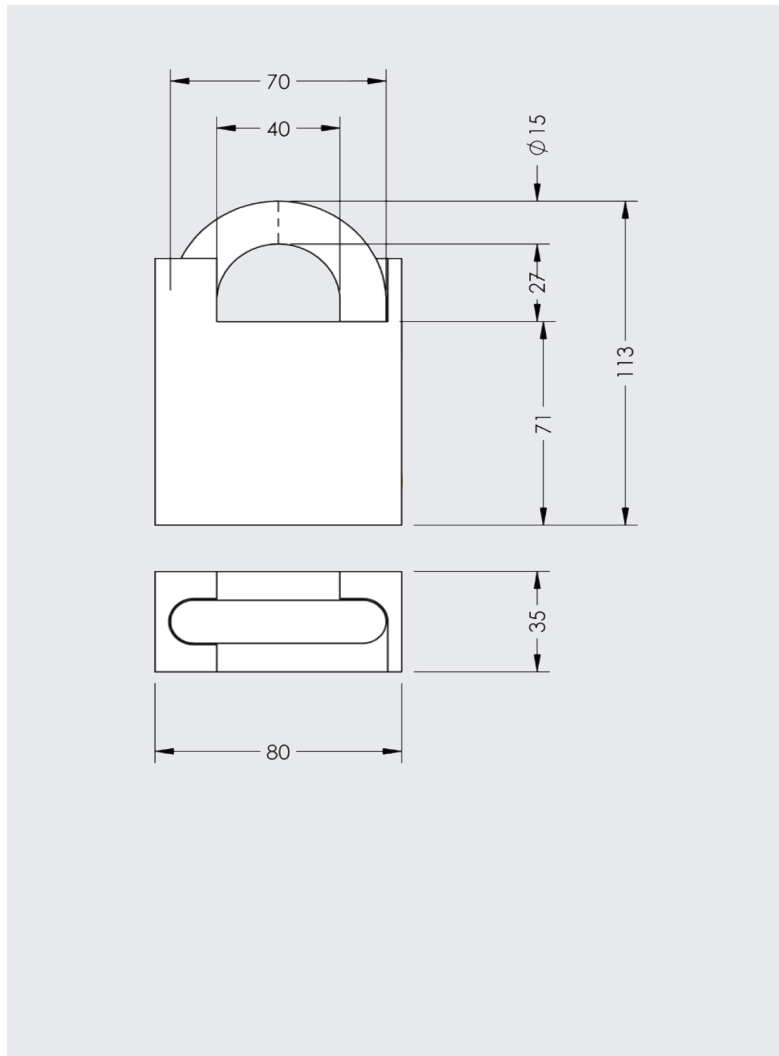
A key is required to open and lock the shackle.

Suitable for universal use indoor and outdoor.



**Features:**

- 80mm hardened steel padlock and shackle
- Electroless nickel plated
- 15mm diameter closed shackle
- Available with a removable or fixed shackle
- Available with a 27mm vertical clearance shackle
- EN 12320 Grade 6 (CEN 6) – the highest grade possible
- Cylinder is protected by an 11mm thick hardened plate.
- Double locking hardened stainless steel ball bearing.
- Uses a standard 30mm euro profile single-cylinder
- LPCB approved (LPS 1654: Issue 1 SR3) with Key Systems expert and quattro plus
- Padlock Retention chain available separately



## Padlock Information

---

### Dimension A

- 27mm

### Available Patented Systems:

- Kaba 20 (K37)
- quattro plus (K85)
- expert plus (K83)
- pextra Q (PXQ & PXQA)

### Available Legacy Systems:

- Kaba 20 (P1)
- quattro Plus (K58)
- expert (K56)
- pextra+ (PXP & PXPA)

**PDS-021-03**

**Any questions? We would be happy to advise you.**

Contact us on: **01884 256464**