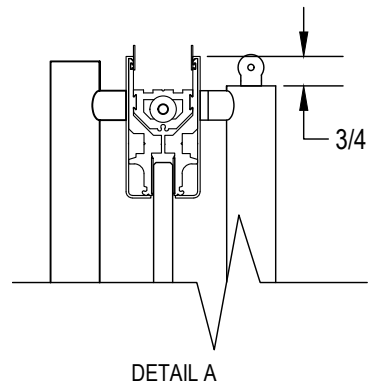
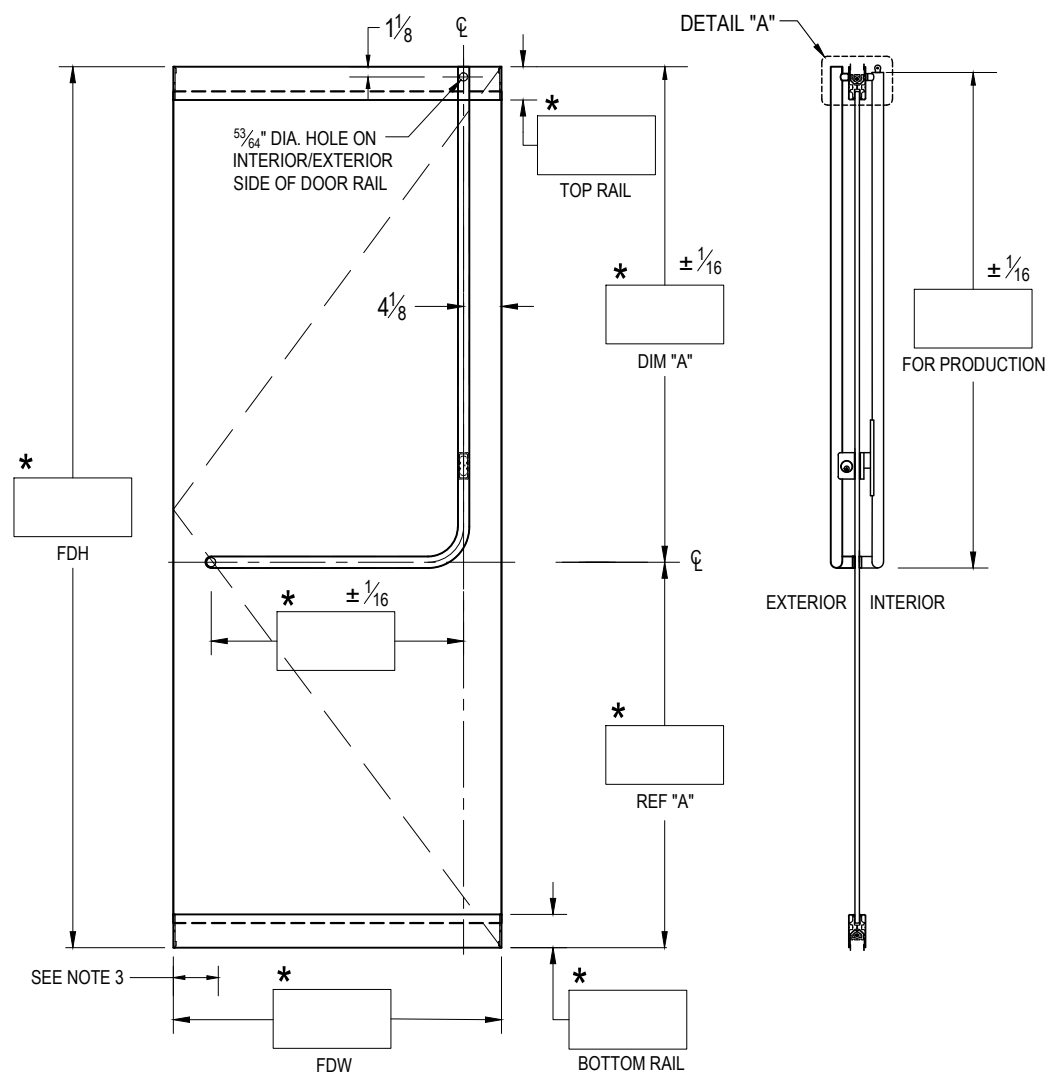


HOUSING: **DG1000D EXIT PART #**
 HANDING: **SWING #4 SHOWN/LHR EXTERIOR VIEW**
 TOP RAIL: 2-1/2" 3-5/8" 4" 6" 10"
 BOTTOM RAIL: 2-1/2" 3-5/8" 4" 6" 10"
 FINISH: _____
 GLASS THICKNESS: 1/2" 3/4" QTY. OF DOORS: _____
 NOTES: _____

STRIKE OPTION:
 MANUAL S1-DG1000 (SINGLE)
 MANUAL S2-DG1000 (DOUBLE)
 ELECTRIC ES1-DG1000 (SINGLE)
 ELECTRIC ES2-DG1000 (DOUBLE)
 FOLGER ADAM: _____
 KEY OPTION: _____
 ELECTRIC STRIKE ES2-3
 (1 MANUAL, 1 ELECTRIC STRIKE)



FDH = FINISHED DOOR HEIGHT
 FDW = FINISHED DOOR WIDTH
 GH = GLASS HEIGHT
 GW = GLASS WIDTH
 a = TOP RAIL DEDUCTION
 b = BOTTOM RAIL DEDUCTION

EXTERIOR ELEVATION
 SCALE: 5/8" = 1'-0"

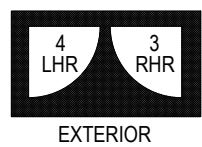
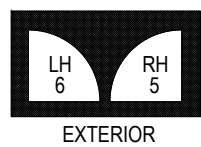
SECTION
 SCALE: 5/8" = 1'-0"

CUSTOMER NAME: _____
 CUSTOMER APPROVAL: _____
 P.O. # _____
 DOOR MARK: _____
 SALES ORDER # _____
 GLASS THICKNESS: _____
 DATE: _____

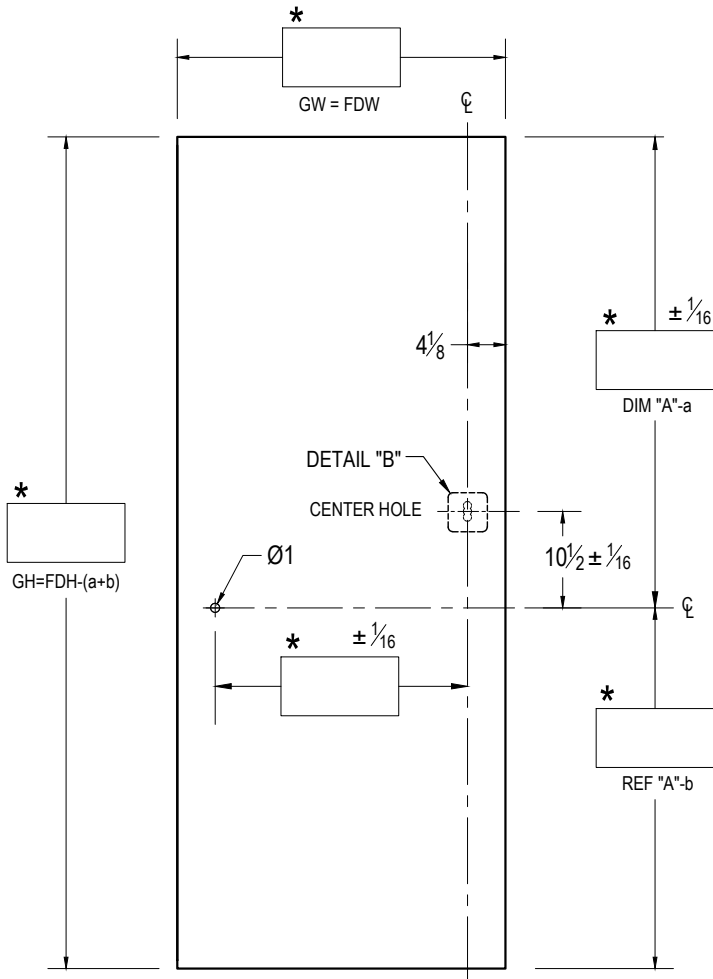
dormakaba
 DORMA USA, Dorma Drive, Reamstown, PA 17567-0411 PH: 800-523-8483
 DRAWING TITLE: **DG1000P-D-P**

NOTES:

1. RAIL HEIGHTS AND (*) DIMENSIONS PROVIDED BY CUSTOMER.
2. ALL DIMENSIONS ARE IN INCHES.
3. NOTE PIVOT REFERENCE DIMENSIONS:
 - 2-3/4" FROM SIDELITE & FRAME
 - 3-1/2" FROM WALL.

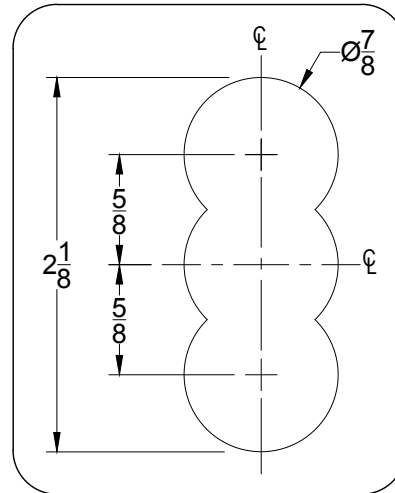


GLASS DETAILS



EXTERIOR ELEVATION

SCALE: 5/8" = 1'-0"



DETAIL "B"

SCALE: 1:1

Glass Height Equation: $GH = FDH - (a+b)$					
Rail Height	2-1/2"	3-5/8"	4"	6"	10"
Deduction	1.8125	2.6875	2.6875	5.0625	5.0625

FDH = FINISHED DOOR HEIGHT
 FDW = FINISHED DOOR WIDTH
 GH = GLASS HEIGHT
 GW = GLASS WIDTH
 a = TOP RAIL DEDUCTION
 b = BOTTOM RAIL DEDUCTION

CUSTOMER NAME:
CUSTOMER APPROVAL:
P.O. #
DOOR MARK:
SALES ORDER #
GLASS THICKNESS:
DATE:

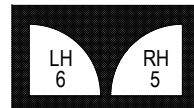
dormakaba

DORMA USA, Dorma Drive, Reamstown, PA 17567-0411 PH: 800-523-8483

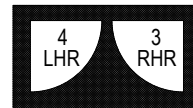
DRAWING TITLE: **DG1000P-D-P**

NOTES:

1. RAIL HEIGHTS AND (*) DIMENSIONS PROVIDED BY CUSTOMER.
2. ALL DIMENSIONS ARE IN INCHES.
3. ALL HOLE SIZES AND LOCATIONS MUST BE HELD TO +/- 1/16"
4. DO NOT CHAMFER EDGES OF HOLES.



EXTERIOR



EXTERIOR