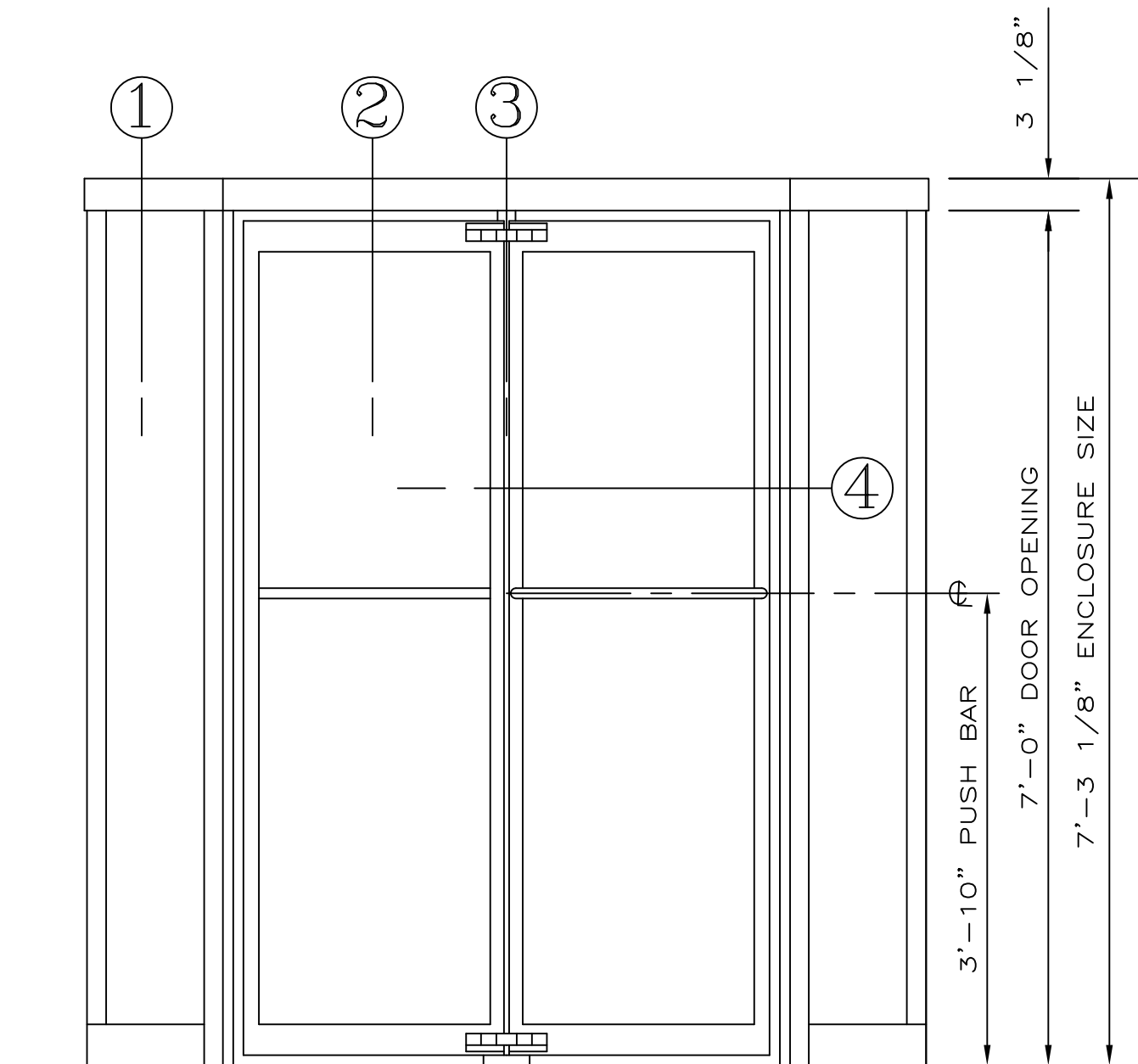
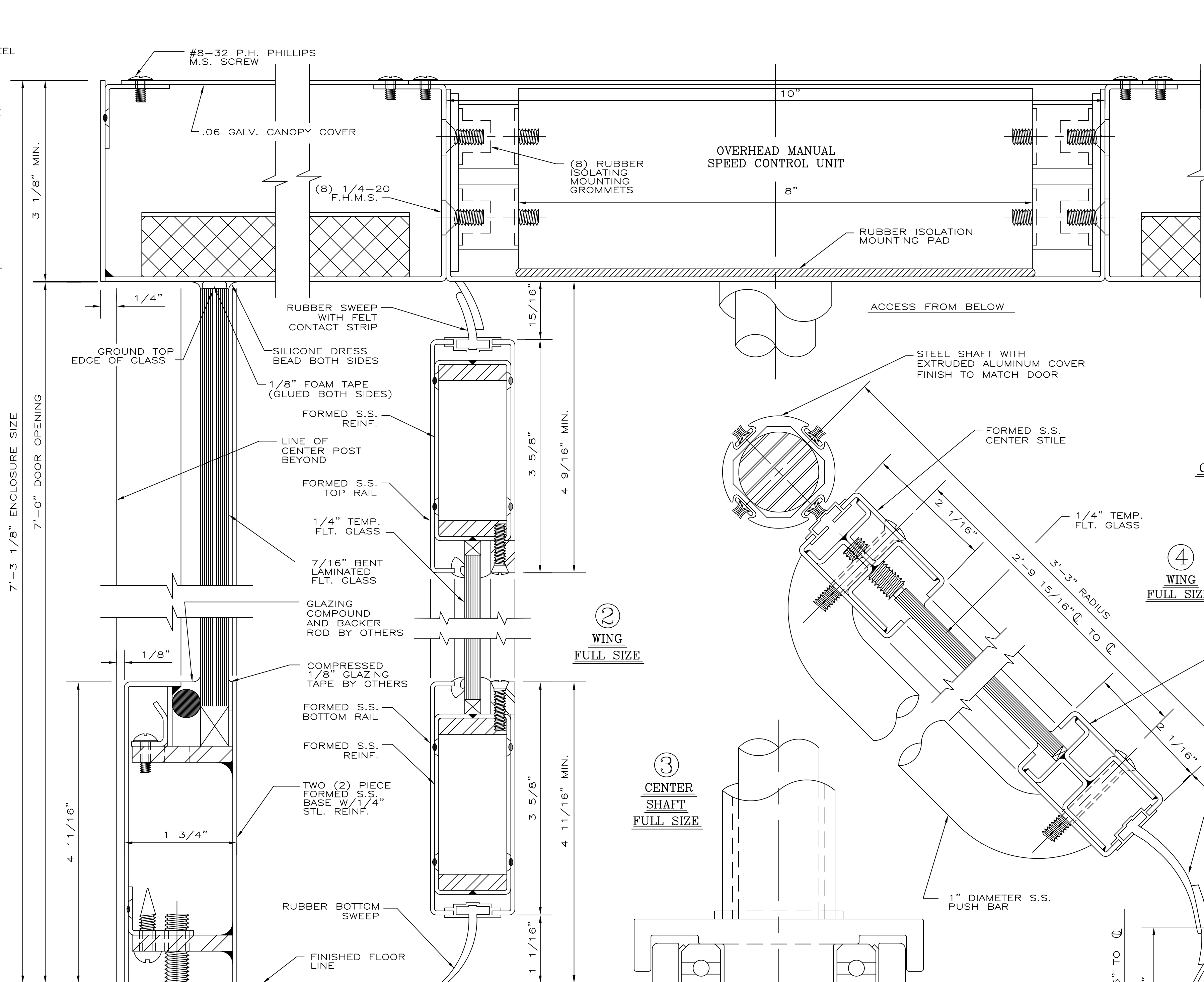


CANOPY REINFORCING PLAN
SCALE: 3/4" = 1'-0"



ELEVATION NOTE: FLOOR UNDER REV. DR. ONE (1) DOOR REQUIRED THUS SCALE: 3/4" = 1'-0" MUST BE LEVEL



ENCLOSURE WALL FULL SIZE

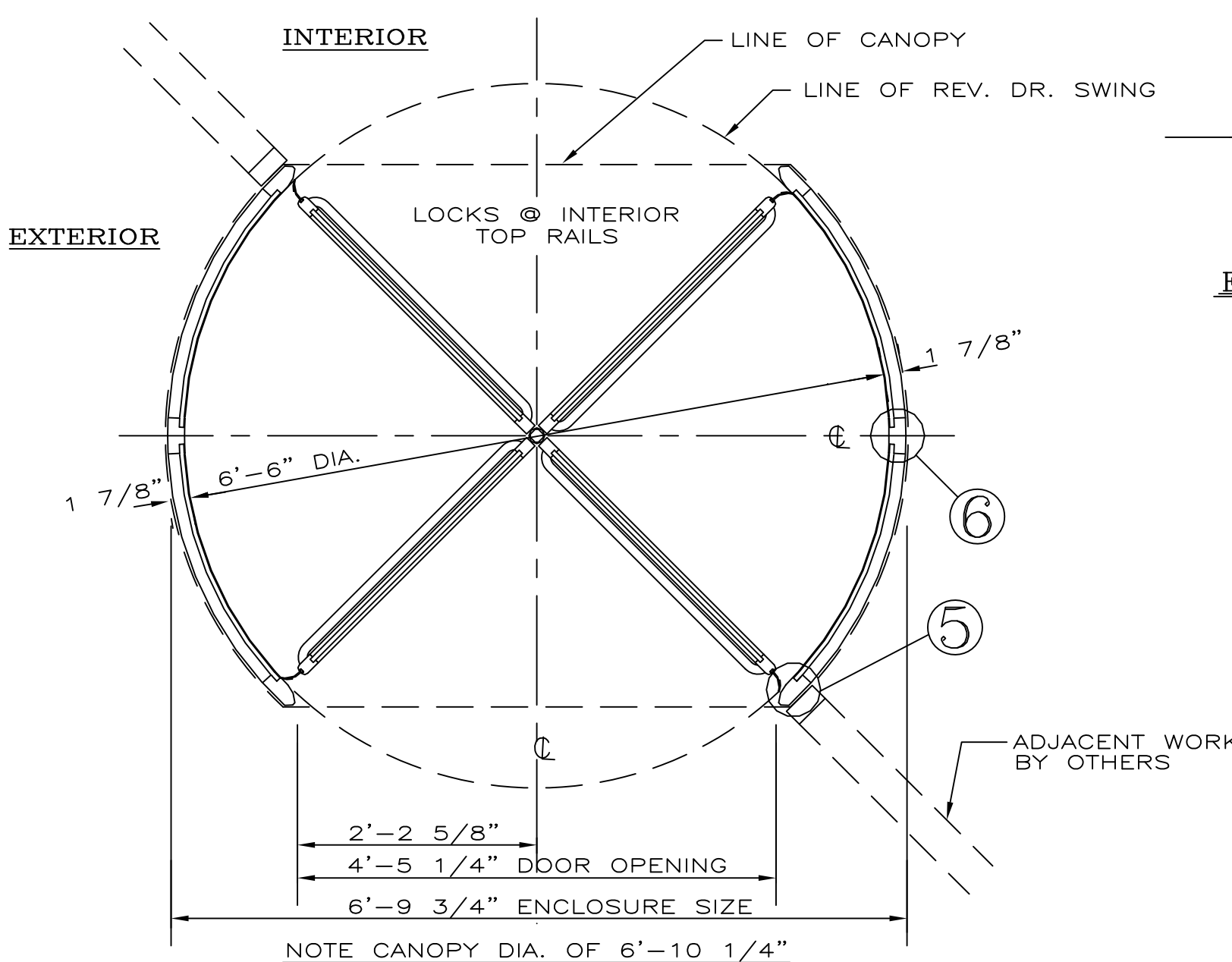
PIVOT BEARING ASSEMBLY FULL SIZE

CENTER POST FULL SIZE

WING FULL SIZE

CENTER SHAFT FULL SIZE

QUARTER POST FULL SIZE



PLAN SCALE: 3/4" = 1'-0"

CONTRACTOR NOTE:
CONTRACTOR TO PROVIDE A 5 5/16" x 2" DEEP CUT OUT TO ACCEPT FLOOR MOUNTED PIVOT BEARING.

GENERAL NOTES
CONTRACTOR SHOULD CHECK & TAKE NOTE OF ALL DIMENSIONS AS C.D.C. (CRANE DOOR CO.) ASSUMES NO RESPONSIBILITY BEYOND MANUFACTURING IN ACCORDANCE WITH THE DIMENSIONS SHOWN ON SHOP DRAWINGS.

APPROVAL INDICATES THAT THIS SHOP DRAWING HAS BEEN CHECKED AND THAT YOU AUTHORIZE US TO FABRICATE MATERIALS AS SHOWN HERE-IN.

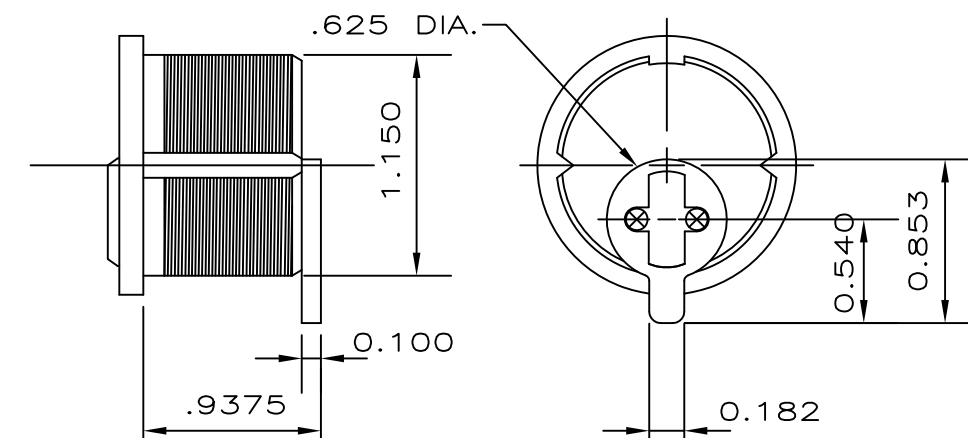
REVOLVING DOOR PERIMETER CAULKING (INCLUDING BASE SECTION TO FLOOR) AND CANOPY COVER CAULKING NOT BY C.D.C. ALL HOLES IN FLOOR NOT BY C.D.C.

MATERIAL TO BE:
MINIMUM .060 THICKNESS STAINLESS STEEL TYPE 304. (UNLESS OTHERWISE SPECIFIED)

FINISH TO BE:
CRANE STANDARD #4 SATIN
GLASS TO BE: CLEAR (TO MEET ANSI Z97.1 AND 16CFR1201 ALL TEMPERED GLASS TO HAVE SAFETY LOGOS. IF ADDITIONAL LOGOS ARE REQUIRED PLEASE SPECIFY.)
1/4" TEMP. FLT. FOR WINGS
7/16" BENT LAMINATED FLT. FOR ENCLOSURE

- HARDWARE SCHEDULE**
- OVERHEAD MANUAL SPEED CONTROL UNIT.
 - FLOOR MOUNTED PIVOT BEARING ASSEMBLY.
 - FULVIEW II PANIC PROOF BOOK-FOLD MECHANISM IN COMPLIANCE WITH ALL APPLICABLE REGULATIONS.
 - LOCKS: SPECIAL REV. DR. TYPE TWO (2) REQUIRED INSTALLED AT TOP RAILS OF TWO ADJACENT WINGS FOR INTERIOR LOCKING.
 - CYLINDERS: STANDARD SIZE MORTISE TYPE, TWO (2) REQUIRED PER REV. DR. UNIT, TO BE SUPPLIED BY OTHERS TO C.D.C. FOR SHOP INSTALLATION.
 - PUSH BARS: 1" DIAMETER S.S. FINISH TO MATCH DOOR

INSTALLER NOTE:
BOOK-FOLD TENSION IS NOT PRESET; IT MUST BE ADJUSTED TO MEET BUILDING CONDITIONS.



STANDARD MS CAM DETAIL FULL SIZE

NOTE: PRIOR TO FABRICATION, SHOP DRAWINGS AND FINISH SAMPLES MUST BE FULLY APPROVED AND RETURNED TO C.D.C.

CRANE DORMA REVOLVING DOORS™
PHONE: 847-295-2700 FAX: 847-295-5288
SCALE: AS SHOWN JOB NAME: XXX
DRAWN BY: JNP
REVISIONS:
FAB. CHECK: HOW. CHECK: X
DATE: 2009 SHEET 1 OF 1 DRAWING NO.: SS 3000 A