



G-Ubivis XEA

Battery-powered
hold-open system
with integrated
smoke detector and
XEA design

Table of contents

- 04 Introduction**
- 05 XEA – excellent design in many colours**
Combine various colours and surface finishes
however you want to match the overall system
- 07 The perfect door closer for your hold-open system:**
TS 98 XEA
- 08 Fire protection made easy:**
you decide where and when
- 10 G-Ubivis XEA – battery-powered hold-open system**
with electromechanical hold-open mechanism and
integrated smoke detector for single-leaf doors
- 12 Product contents and accessories**
Single-leaf doors
- 13 TS 98 XEA slide-channel door closer**
with G-Ubivis XEA battery-powered
hold-open system
- 14 Requirements/instructions**
Hold-open systems

Fire protection has never been this easy: install, insert battery pack and switch on. You are now on the safe side.

With the new G-Ubivis XEA hold-open system with integrated smoke detector, fire protection gains new freedom without compromising safety. The replaceable screens with the aesthetic XEA design make it possible to customise door closers and hold-open systems in the building.

XEA – excellent design in many colours

Combine various colours and surface finishes however you want to match the overall system

The new level of design freedom in the XEA style is called **Customer Confection**. A variety of colour combinations can be selected. A selected range of charming materials and surface qualities make it possible to satisfy the requirements of a sophisticated interior design in many ways.

- Perfectly incorporated into the look of the building
- Flexibly matched to the door design
- Simple ordering process



1



2



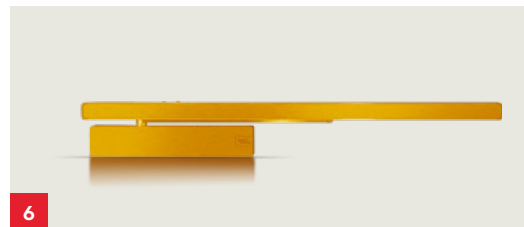
3



4



5



6

01
G-Ubivis XEA silver P 600 similar to RAL 9006
TS 98 XEA silver P 600 similar to RAL 9006

03
G-Ubivis XEA white P 100 similar to RAL 9016
TS 98 XEA white P 100 similar to RAL 9016

05
G-Ubivis XEA black P 190 similar to RAL 9005
TS 98 XEA white P 100 similar to RAL 9016

02
G-Ubivis XEA black P 190 similar to RAL 9005
TS 98 XEA black P 190 similar to RAL 9005

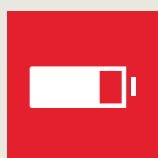
04
G-Ubivis XEA black P 190 similar to RAL 9005
TS 98 XEA silver P 600 similar to RAL 9006

06
G-Ubivis XEA gold P 750
TS 98 XEA gold P 750

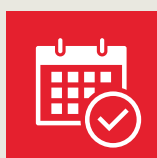


The advantages are obvious as there is no mains connection, no electrician is needed to connect the system. Any technician trained by dormakaba, such as a carpenter, can install and remove the device. There is also no need to alter the existing building structure, for example to install new power cables. This also eliminates additional

masonry and painting work. Another advantage is the easy retrofitting of the TS 98 XEA Ubivis in all G-N slide channels thanks to compatible drilling templates.



No wiring



**Independence
from preliminary
works**



Time savings



Cost reduction

The perfect door closer for your hold-open system: TS 98 XEA

Whether it is one-leaf or two-leaf, DIN left or right – the TS 98 XEA is dormakaba's single door closer for all installation types.

As a result, the number of product variants and complexity in installation is reduced while simultaneously increasing flexibility at the construction site.

Applications

- One door closer for four installation types
- Closing force adjustment at front using a battery screwdriver
- With visual indicator of closing force
- Whisper-quiet door closing thanks to additional SoftFlow closing path
- In the elegant XEA design
- Example of use: interior doors, public buildings, office buildings

Compliance with statutory requirements

- Barrier-free as per German Industrial Standard (DIN) 18040 up to 1,250 mm
- Proven EASY OPEN technology
- German Industrial Standard (DIN) specification 1104 is easily satisfied thanks to the rapidly decreasing opening torque



reddot design award
winner 2016

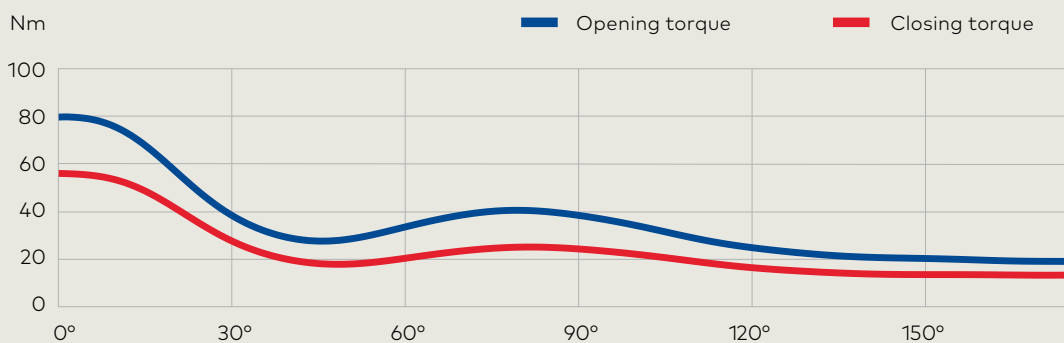


- Self-closing from 180° (pull side)
- Reliable self-closing also at -40 °C
- 3 closing paths 180°-15°, 15°-0°, 7°-0°

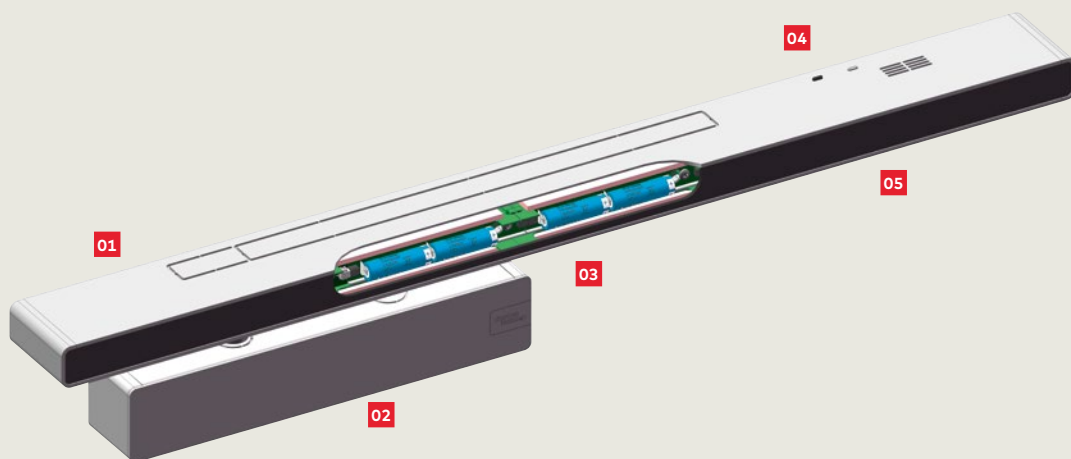
Fire protection made easy: you decide where and when

G-Ubivis XEA, combined with approved dormakaba door closers, also features perfect design. This means the successful interaction of sophisticated technology and an attractive appearance. Customers can benefit

from dormakaba's typical ingenuities, such as the rapidly decreasing opening torque. This increases user convenience and makes it easier to open the door – especially for children and the elderly.

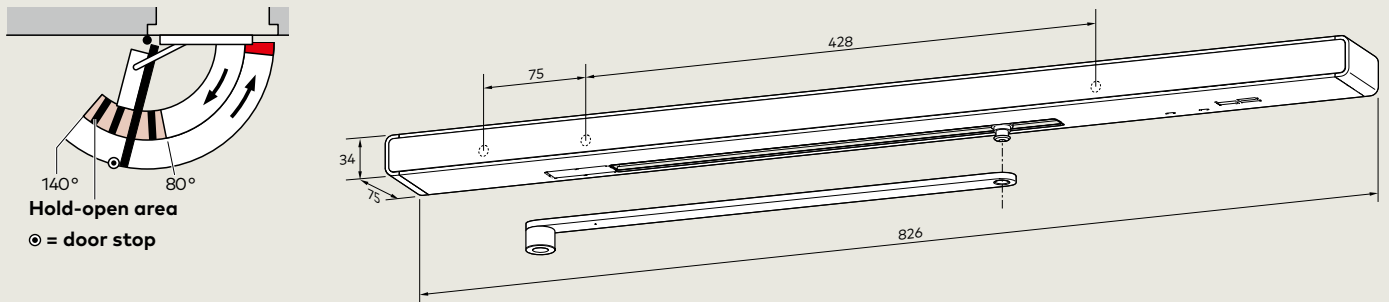


Subject to technical modifications. As at 10/2017.



- 01** Slide channel, including hold-open unit
- 02** TS 98 XEA door closer
- 03** Battery pack
- 04** Control unit
- 05** Smoke detector

G-Ubivis XEA – battery-powered hold-open system with electromechanical hold-open mechanism and integrated smoke detector for single-leaf doors



The XEA system can be installed on single-leaf doors with a leaf width of up to 1,250 mm. Battery power provides for great flexibility in the planning process as no external power connection is needed. That's why the G-Ubivis XEA is particularly suited to retrofitting buildings that don't permit intervening with the building fabric, such as heritage-protected buildings.

The G-Ubivis XEA makes it possible to configure fire and smoke doors without time-consuming electronic installation and in such a way that they can be held open with precision and can be monitored and controlled completely independently of other systems. With a service life of approximately 16 months, the battery must be replaced as part of annual maintenance. The hold-open point can be set to an opening angle between approximately 80° and 140°. To prevent the door or door closer from being damaged, a door stop must be set.

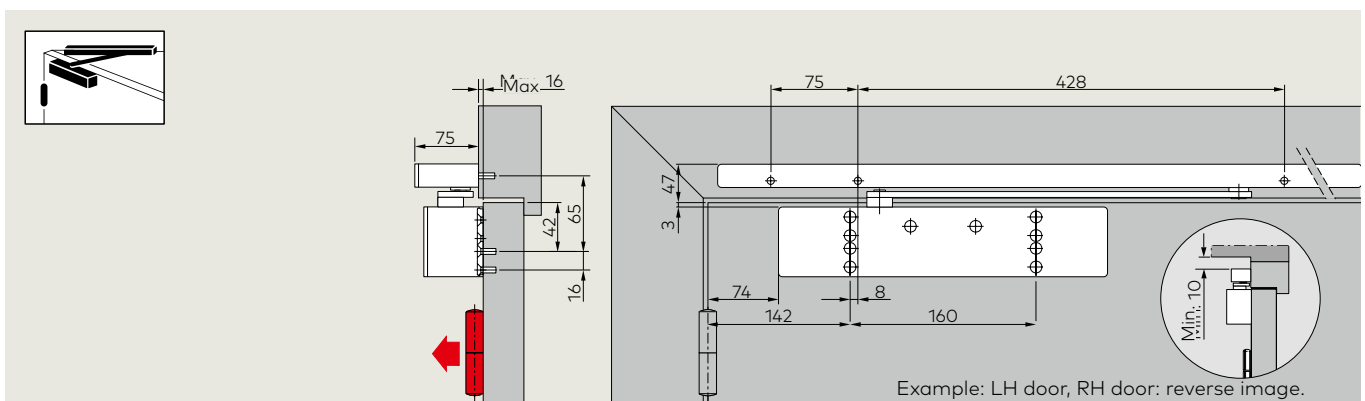
16 MONTHS SERVICE LIFE

In the event of an alarm, the hold-open mechanism is released and the door closer shuts the door. Thanks to the adjustable disengagement force (no tools necessary), the hold-open mechanism can easily also be triggered manually.

G-Ubivis XEA includes arm, slide channel, slide shoe, electromechanical hold-open unit, smoke detector, battery, panelling, fastening screws and end caps, and it can be used both for LH as well as RH doors. The LED on the device indicates operation and maintenance as well as the battery status.

Installation on pull side

TS 98 XEA door closer with G-Ubivis XEA





F Certificate of suitability

Before installing and using G-Ubivis XEA it is mandatory to check the local laws and regulations in regards to battery-powered hold-open devices as battery-powered hold-open devices are not covered by a harmonised standard.

Requirements/instructions

Due to the official approval provisions, the use of hold-open systems is subject to special requirements. The smoke detector unit must be replaced after eight years according to DIN 14677. Once the replacement deadline is reached, this is shown by a constantly glowing LED light.

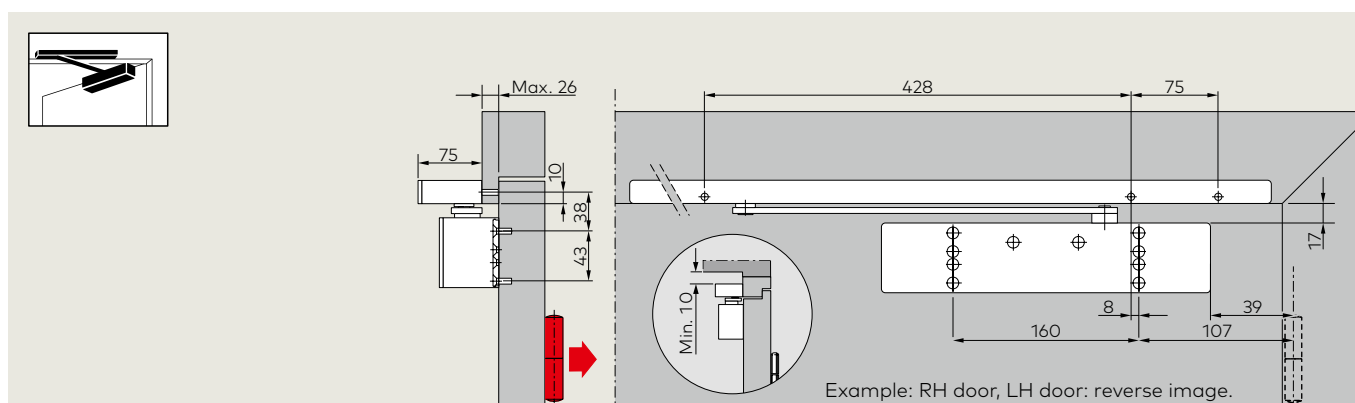
The transportation of the G-Ubivis XEA with the battery unit is subject to simplified legal requirements on implementing the ADR Directive. See the product sheet for further information.

Technical data

Power supply	Stand-alone thanks to battery
Type of protection	IP30
Class of protection	III
Ambient temperature	-5 °C to +45 °C
Release force	Adjustable
Door width	Up to 1,250 mm
Hold-open point	Approx. 80°-140°
Door opening angle	Max. 140°


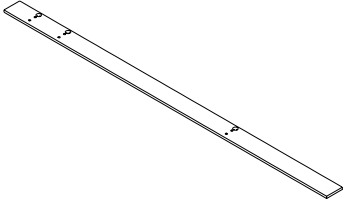

Installation on push side

TS 98 XEA door closer with G-Ubivis XEA



Product contents and accessories

Single-leaf doors

			TS 98 XEA  EN 1-6 with mounting plate ■ 441101xx	G-Ubivis XEA accessories: mounting plate  573600xx	
	For product description see page	7	10		
G-Ubivis XEA 	□ 570706xx	10	□	■	△

xx Colour options

- 01 Silver P 600 similar to RAL 9006
- 11 White P 100 similar to RAL 9016
- 10 Pure white P 210 similar to RAL 9010
- 19 Black P 190 similar to RAL 9005
- 08 Customer Confection
- 09 Special colour
- 04 Stainless-steel colours P 700
- 05 Gold P 750

- Hold-open system
- Smoke detector with integrated power pack
- xx Article number supplement, see colour options
- Separate door closer
- Separate slide channel
- △ Accessories

TS 98 XEA slide-channel door closer

with G-Ubivis XEA battery-powered hold-open system

TS 98 XEA Ubivis

Slide-channel door closer as per DIN EN 1154, with CE marking, with XEA design, with rapidly decreasing opening torque for easily opening doors as per DIN SPEC 1104.

Fixing positions: standard installation on pull side or push side. Closing time, second closing path 15°–0°, latching action, hydraulically controlled back-check and delayed closing conveniently adjusted with valve at the front.

Closing force DIN EN 1–6 adjustable at the front using battery screwdriver, with visual indicator of closing force. Mounting bracket with universal fixing hole pattern. Slide channel with electromechanical hold-open mechanism and integrated smoke detector with indicator for operation, contamination and maintenance. Smoke detector with alarm threshold monitoring for consistent response behaviour. The battery integrated into the slide channel supplies stand-alone power. Hold-open point between 80° and 140°. Disengagement force adjustable without tools at an installation height of 34 mm.

Using this product with fire and smoke doors is currently permitted only if the customer obtains the individual necessary approval from the responsible local planning and building authorities. An application for the general building approval has been filed at DIBt (German Institute for Civil Engineering). Your dormakaba customer advisor would be glad to inform you about the current status of the approval.

Colours

- Silver similar to RAL 9006 (P 600)
- White similar to RAL 9016 (P 100)
- Black similar to RAL 9005 (P 190)
- Stainless-steel finish
- Gold (P 750)
- Special colour
- Customer Confection (P 000)

Requirements/instructions

Hold-open systems

Generally, the use of hold-open systems is subject to special requirements due to the official approval provisions. They particularly apply to acceptance, ongoing monitoring and maintenance.

The instructions are intended to inform all participants of the most important measures on using hold-open systems with regard to the official requirements.

See the following documents for further details:

- General building approval for the relevant hold-open system
- BS EN 1155
- BS EN 14637
- DIN 14677

1. General information

1.1 For doors held open by hold-open systems, the area required for closing must be kept clear at all times. This area must be clearly marked with a label, floor markings or similar.

It may be necessary to ensure, using constructive measures, that cables, stored goods or components (for example, lower ceilings or their components) cannot fall into the area to be kept clear.

1.2 Wherever possible, smoke detectors should be used for hold-open systems. Smoke detectors must be used for hold-open systems for doors on escape routes.

1.3 It must also be possible to manually trigger every hold-open system without impairing the functional readiness of the triggering system. In case of door closers with an electromagnetic hold-open mechanism, this can be easily lifted by applying light pressure to the door leaf. If hold-open magnets or fail-safe door closers are used, these are triggered by a button. The manual trigger for this must be red and bear the label "Close door". The button must be in the immediate proximity of the door and must not be covered by the door when opened.

2. Acceptance test

2.1 After installation at the location of use, proper functioning and installation in accordance with specifications must be ensured via an acceptance test. The acceptance test may only be performed by the manufacturer's specialists for monitoring systems and/or hold-open systems, by specialists authorised by such or by a testing body appointed for this.

2.2 After the acceptance test has been carried out, an approval sign (105 x 52 mm) with the inscription:

Hold-open system

Acceptance by

(company logo and month and year of acceptance) should be permanently mounted on the wall in close proximity to the door.

2.3 A certificate is to be issued to the facility operator concerning the successful acceptance test. It is to be retained by the facility operator.

3. Periodic monitoring

3.1 The facility operator must constantly keep the hold-open system ready for operation and check it for proper functioning at least once per month.

3.2 Moreover, the facility operator is obligated to perform a test for proper and fault-free interaction of all devices as well as maintenance, or have such performed at least once per year, unless a shorter period of time is indicated in the approval decision. This test and maintenance may only be performed by a specialist or trained person.

3.3 Scope, results and time of periodic monitoring is to be registered. These registers are to be retained by the facility operator.



**Door
Hardware**



**Electronic
Access & Data**



**Mechanical
Key Systems**



Lodging Systems



**Entrance
Systems**



**Interior Glass
Systems**



Safe Locks



Service

dormakaba
International Holding AG
Hofwisenstrasse 24
CH-8153 Rümlang
T +41 44 818 90 11
info@dormakaba.com
www.dormakaba.com