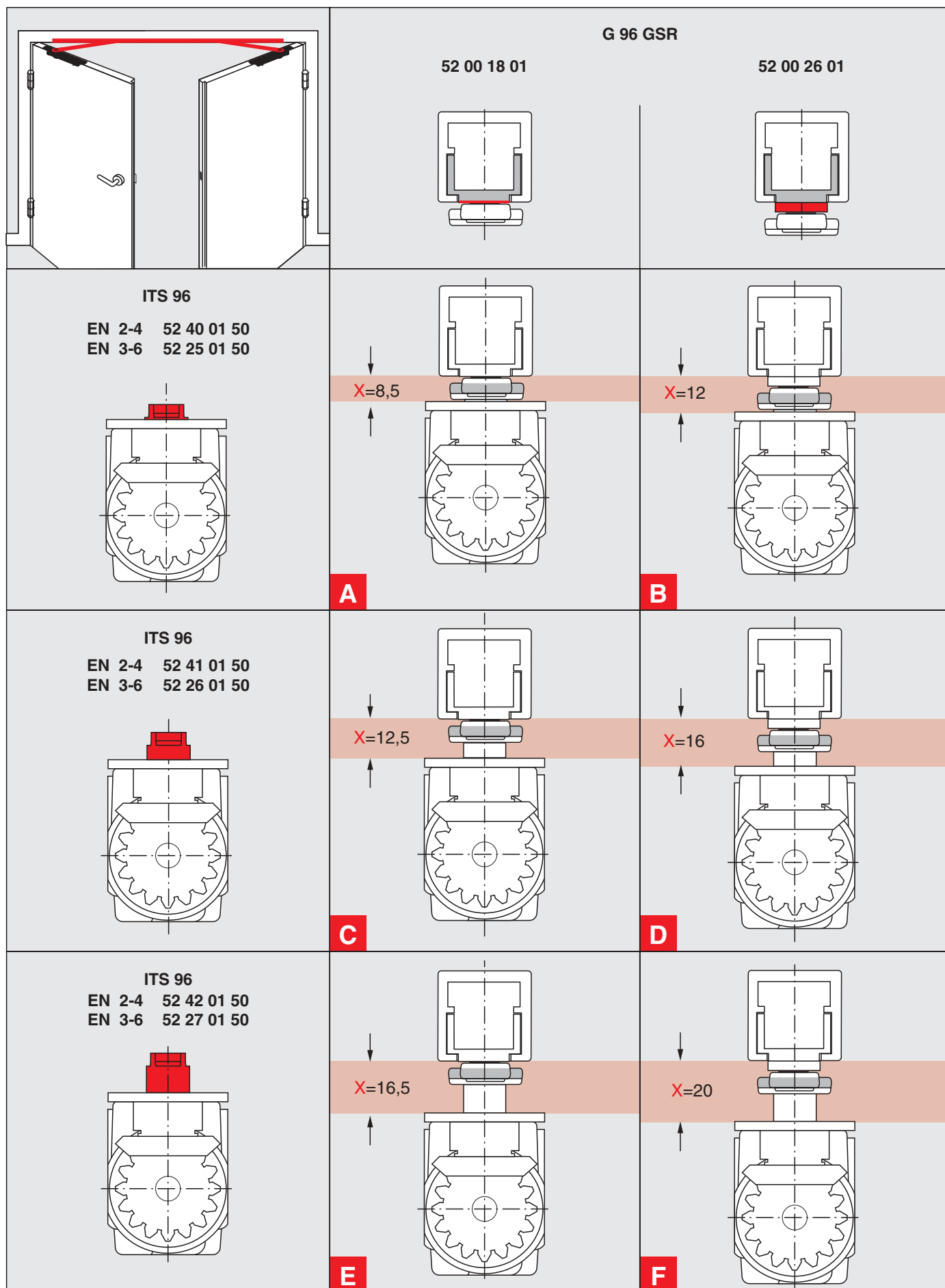
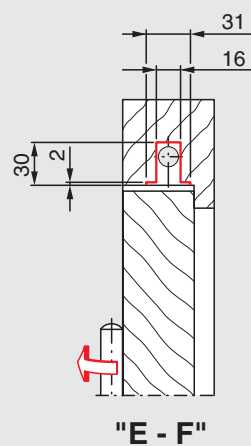
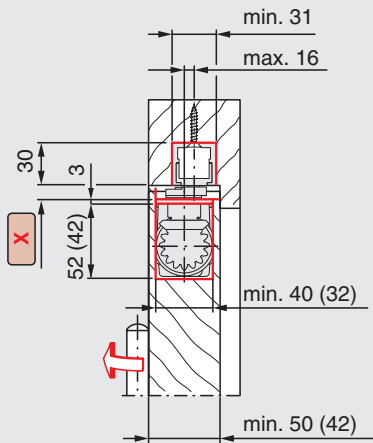
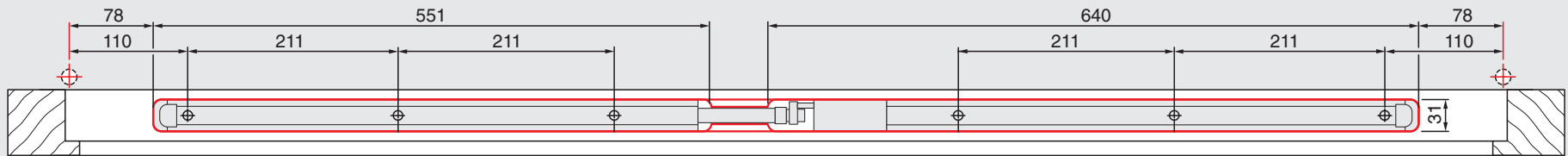
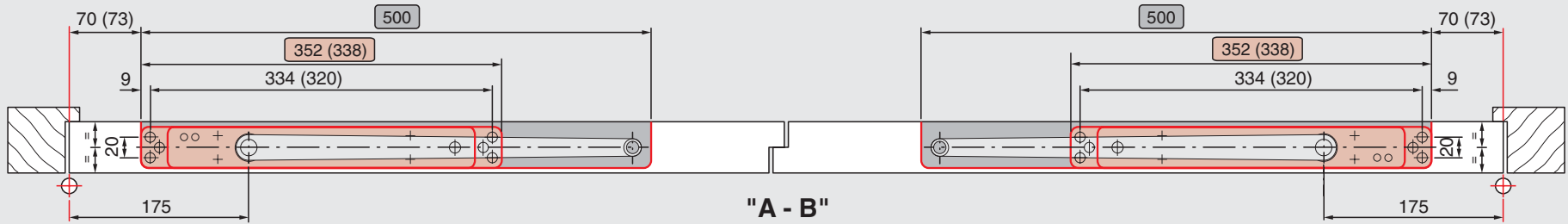
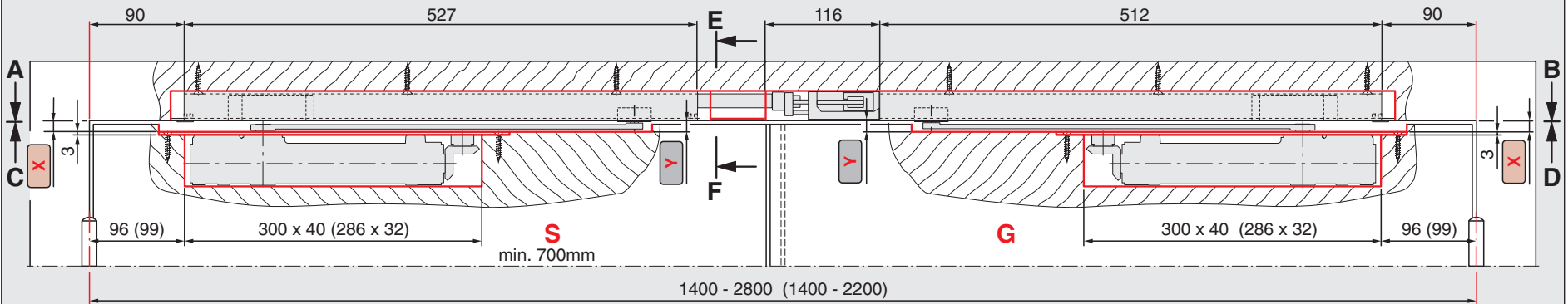


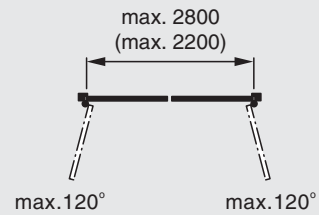
DORMA ITS 96 GSR



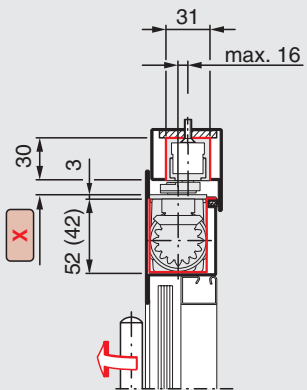
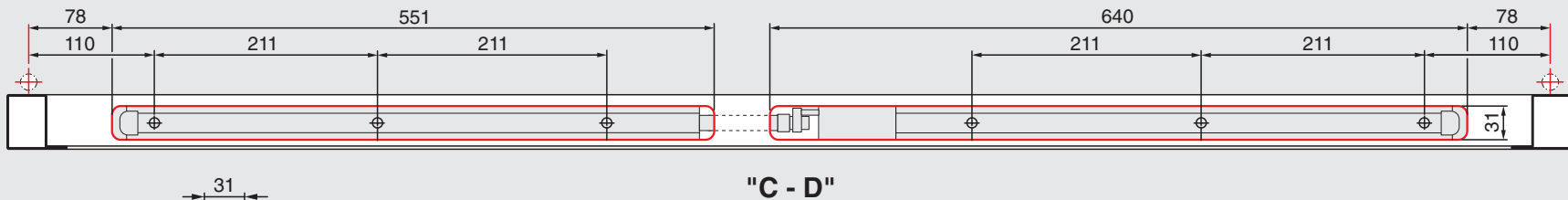
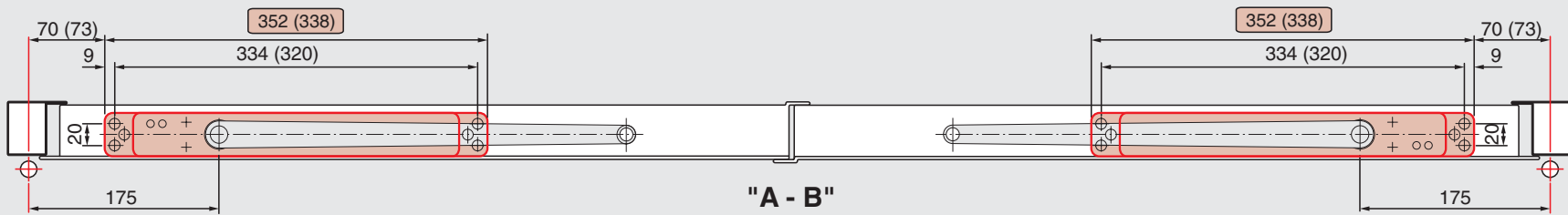
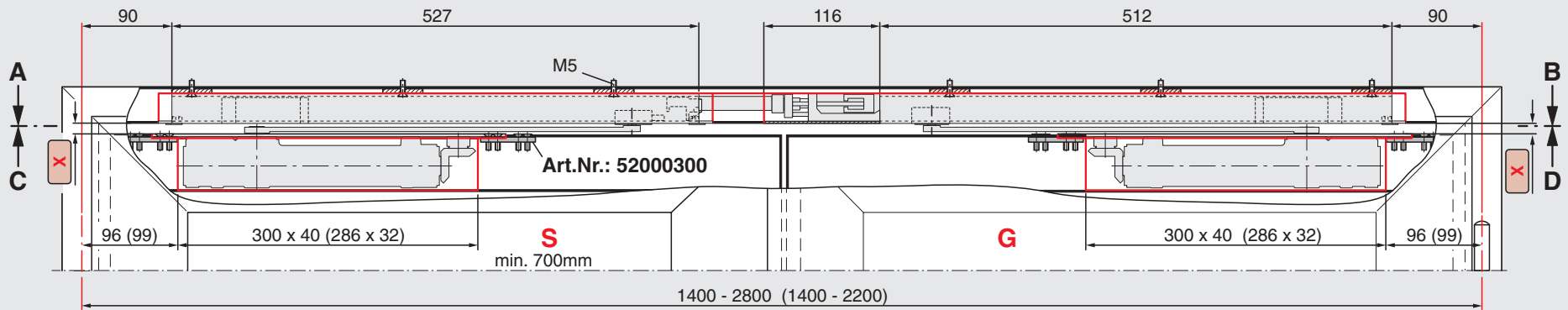


"C - D"

() = EN 2-4
 R = 8mm

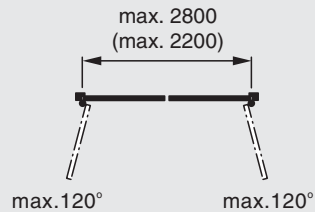


	X	Y
A	8,5	8,5
B	12,0	12,0
C	12,5	8,5
D	16,0	12,0
E	16,5	8,5
F	20,0	12,0



() = EN 2-4

— R = 8mm



	X
A	8,5
B	12,0
C	12,5
D	16,0
E	16,5
F	20,0

