

# dormakaba compact reader 91 10



Mobile Access



CardLink



## Advantages at a glance

- **Elegant design**  
Contemporary, award-winning design with a high-gloss finish
- **Simple to install**  
Thanks to quickwire technology, the reader can be plugged onto the base frame quickly and easily
- **Retrofitting possible**  
It is possible to use existing wiring
- **Seamless integration**  
Functions in dormakaba Online, CardLink (AoC) or stand-alone operation
- **Safe investment**  
Expandable, as it can be combined with a number of dormakaba access systems
- **Secure in the future**  
Ready for use with dormakaba Mobile Access

### Award-winning design and elegance

The dormakaba compact reader 91 10 with elegant high-gloss finish can be integrated easily into existing buildings.

### It is convenient to operate – as both

visible and audible signals are used to confirm access. Simply present either a card, key fob or key with RFID transponder clip to the reader and enter.

### Flexible integration

The dormakaba compact reader 91 10 can be integrated into all dormakaba systems, regardless of whether they are operated online or stand-alone.

The quickwire connector simplifies installation and maintenance. The reader is simply clicked onto the pre-wired rear panel or spacer frame.

### Areas of application

The dormakaba compact reader 91 10 fits onto any standard wall socket and is available in two designs:

- with a spacer frame for use indoors (surface wiring) or
- with rear panel and sealing pad for use in protected outdoor areas (flush-mounted wiring).

The dormakaba compact reader 91 10 can be used in many ways. It can be used either as a reader to monitor the organisation or for access control in conjunction with an access manager in protected areas.

### Areas of application

- Office buildings
- Automatic doors
- Lifts
- Garage doors
- Car park barriers
- Entrance areas
- Doors with motor locks

### Intuitive user guidance

The RFID access medium is held in front of the reader unit. A sound and a light signal (green/red) indicate whether access is granted or denied. Access to the desired area can be made – whether through car park barriers, automatic sliding doors, lifts, barriers or doors with a motor lock or door opener.

### Versatile

The dormakaba compact reader 91 10 is mounted indoors or in protected outdoor areas. For example, with the optional CardLink (AoC) function it can be used as a validation reader in entrance areas and new temporary authorisations saved directly to the card each day. Indoors, the reader is the ideal solution for lifts or sliding doors: access is controlled in an area- and time-specific manner.

### Scalable use

The compact reader is suitable both for individual access points and as part of a large system. Many versions are available with different programming options, depending on the object size and requirements.

### Simple

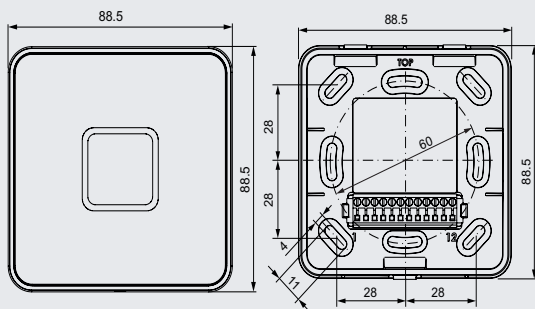
The reader can be replaced quickly and simply in existing systems. Thanks to flexible firmware exchange, it can be integrated seamlessly into various dormakaba systems.

### A universal portfolio

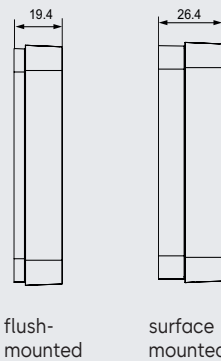
dormakaba's product range includes combinable products that share the same high-quality design.

**Note:** The product's range of available functions depends on the system context in which it is used.

dormakaba compact reader 91 10  
Front and rear panel



Side view



### Our Sustainability Commitment

dormakaba is committed to foster a sustainable development along our entire value chain.

In order to give quantified disclosures of a product's environmental impact and its ecological footprint, dormakaba provides Environmental Product Declarations (EPDs). Please download the EPD and read more about our sustainability commitment here or use the QR code provided.



### Technical specification

#### Supported RFID technologies

- LEGIC (advant & prime)
- MIFARE (DESFire & Classic)
- OSS-SO Version 2021-06 (LEGIC advant, MIFARE DESFire)

#### Design / material / dimensions

- Flush-mounted type (rear panel/sealing pad): 88,5 x 88,5 x 19,4 mm (WxH xD)
- Surface mounted type (spacer frame): 88,5 x 88,5 x 26,4 mm
- Front: PC plastic, Colour: RAL 9005 jet black, RAL 9016 white
- Frame: plastic; Colour: RAL 9006 white aluminium
- Rear panel/spacer frame: Colour: RAL 9005, RAL 9016

#### Interfaces

- RS-485: connection to host; galvanically isolated, differential
- Two binary inputs: max. 5 VDC
- 1 relay output: max. 34 VDC/60 W, max. 27 VAC/60 VA

#### Power supply

- 12 – 27 VAC, 50/60 Hz or 10 – 34 VDC
- Power consumption: typ. 1.2 W, max. 2.2 W
- Clock operates max. 120 hours without power supply

#### Environmental conditions

- Temperature: – 25 °C to +70 °C
- Protection class: flush-mounted design: IP54 surface mounted design: IP40
- Humidity: 0 – 95 %, noncondensing

Further details and order information can be found in the relevant dormakaba catalogues or system descriptions.

Subject to change without notice.  
© 2023 dormakaba. Version 07/2023



**Any questions? We will be happy to assist you.**

dormakaba International Holding AG | Hofwisenstrasse 24 | CH-8153 Rümlang | info.de@dormakaba.com | dormakaba.com