A grayscale photograph of a modern automatic sliding door system. The door is partially open, revealing the internal mechanism and the sleek, metallic finish of the door and frame. The background is a plain, light-colored wall.

CS 80 MAGNEO AUTOMATIC SLIDING DOOR OPERATOR

Technical Documentation
Read the manual before the assembly
carefully!

GB

CS 80 MAGNEO

Dear customer,

Thank you for buying a product from our product range.

The DORMA brand stands for first-class and scrutinised quality products offering extremely high safety standards.

This documentation contains important information for the safe installation of the system. Please read these instructions thoroughly before you mount, install and use the CS 80 MAGNEO.

Keep these instructions for further reference and make them available to other users.

Yours faithfully,
The DORMA-Team

Required tools:

- Tape measure or folding rule respectively
- Water level
- Pencil
- Drilling machine
- Masonry drill bit \varnothing 6 mm
- Metal drill bit \varnothing 3 and 8 mm
- Socket wrench (10 mm)
- Flat-bladed screwdriver for connection terminals of control unit.
- Crosstip screwdriver for countersunk screws of wall connection.
- Allen key, 4mm
- Combination wrench, wrench size 10 mm and 13 mm
- Long-nosed pliers for connection to terminals.

- Adequate screws and wall plugs for the prevailing structures, in case they are not made of brickwork or concrete.

Additionally for DORMA MANET fixing:

- Allen key, 3 mm and 5 mm

Translation of the original documentation

Contents

	Page
1. Safety instructions	4 - 6
2. Functional Characteristics	7 - 8
3. Technical data and features	9
4. System overview	10
5. Before mounting	11 - 13
6. Installation instructions for on-wall mounting	14 - 21
7. Installation instructions for in-wall mounting	22 - 28
8. Connection diagrams	28
9. Cable channel	29
10. Connection of closing edge protection	30
11. Commissioning	31 - 32
12. Operation instructions	33 - 34
13. Commissioning and maintenance according to DIN 18650-2, 5.1-5.4	35
14. Troubleshooting instructions	36 - 37
Manufacturer's declaration	38 - 41
Declaration of conformity	42 - 44



REMARK

A remark will call your attention to important information that will facilitate your work with the CS 80 MAGNEO.



ADVISE

An advice will warn you that you could damage the CS 80 MAGNEO and explain how to avoid this.




ATTENTION

Here we will inform you of dangers that might cause damage to property or injure or kill people.

1. Safety Instructions

1.1 Specified standard operation

 The **CS 80 MAGNEO** is only designed to open and close small and light interior doors with an admissible weight from 20 kg to 80 kg per door panel.

Do not allow children to play with the **CS 80 MAGNEO** or rigidly mounted adjustment and/or control devices. Keep remote controls out of reach of children.

A door kit is provided to make the connection with the door leaf.

1.2 Product-specific characteristics.

The **CS 80 MAGNEO** is **neither** suitable for application in escape routes, **nor** on fire and smoke doors **nor** on exterior doors.

1.3 Standards, laws, codes and regulations

Residual risks

Automatic doors might cause hazards by crushing, shearing, hitting and drawing-in. Depending on the structural conditions, the door version and the safety equipment, residual risks cannot be excluded.

CS 80 MAGNEO as low-energy product according to German DIN 18650 (German Industrial Standard)


According to the German Industrial Standard DIN 18650, the movement range of an automatic door always has to be protected (amongst others) by safety sensors.

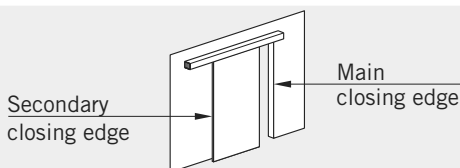
However, there are special requirements for low-energy systems.

The **CS 80 MAGNEO** meets the requirements of a low-energy operator according to the standard by fulfilling the following requirements:

- **Reduced operating speeds (reduced dynamic forces at the door panel/contact forces)**
- **Force limitation (reduced static forces at the door panel/contact forces)**

Danger spots at closing edges

 Automatic doors might cause hazards by crushing, shearing, hitting and drawing-in at the different closing edges.



Required protection equipment for CS 80 MAGNEO according to DIN 18650

The German Industrial Standard DIN 18650 stipulates different requirements regarding the protection of the above-mentioned danger spots.

Systems with **CS 80 MAGNEO** offer the following benefits:

- The system does not have to be equipped with additional protection equipment (not compulsory).
- The application of safety sensors at the closing edges as additional protection measure is optional and lies in the discretion of the person performing the installation of the door system - under consideration of the result of the individual risk assessment (please also refer to "Risk assessment", page 4).
- Altogether the system offers a high safety standard!

Safety requirements according to DIN 18650 in the Full Energy mode

The actuating forces are also limited in this mode. However, due to the higher contact forces that can occur, a safety kit must be installed. This must be done by a specialist in accordance with DIN 18650 or equivalent national safety regulations.

Risk assessment on the part of the installer

Special spatial conditions and certain user groups might make it sensible to equip the application with safety sensors – even when the system is operated in Low-Energy-Mode.

Whether this is required or not has to be assessed with the aid of an individual risk assessment and must be considered during the planning of the system and by the manufacturer, i.e. the party performing the installation of the system.


We would therefore ask you to have a look at our “risk assessment form”, which is available on our homepage www.dorma-magneo.com and will help you to perform the risk assessment.

Special requirements regarding the protection of people in need of protection


In case the risk assessment reveals that there is a health risk or risk of injury when the door hits a user in an unacceptable way, additional protection via safety equipment (connection of safety sensors) is required. This is especially necessary when people in need of protection (children, elderly people or disabled people) use the door.

These safety devices must be installed by a specialist in accordance with DIN 18650 or equivalent national safety regulations.

1.4 Limitation of liability

 The **CS 80 MAGNEO** must only be used according to its specified standard operation. **DORMA GmbH + Co. KG** will not accept any liability for damages resulting from unauthorized modifications of the **CS 80 MAGNEO**.


1.5 Documentation

 **Using control elements, making adjustments or performing procedures that are not described herein might cause electric shocks, danger caused by electric voltage/current and/or dangers due to mechanical incidents.**

It is important for your personal safety to abide by the instructions mentioned in this documentation. An incorrectly performed installation of the system might cause serious injuries.

Please keep this documentation for later reference.

1.6 General information regarding the installation of the system

 **The CS 80 MAGNEO must be disconnected from power supply (de-energized) when performing mounting or installation work. Remove the power plug, or, in case of permanent power supply, switch off fuse.**

- Secure the working area against unauthorized access of other people. Falling items or tools might cause injuries.
- In any case, the way of mounting and the mounting equipment, like for example screws and wall plugs, have to be adequate with regard to the structural conditions (concrete, wood, plasterboard etc.)


CS 80 MAGNEO

- As soon as you have relaxed the screws of the end stop, both the end stop and the carrier could fall out of the operator. Therefore you should always hold the operator straight.
- Pay attention that no water or other liquids drop on or into the **CS 80 MAGNEO**.
- The carrier contains strong permanent magnets and must not be removed.
- Never stick metal objects inside the openings of the **CS 80 MAGNEO**. Otherwise you could sustain an electric shock.
- Never put your hand inside the **CS 80 MAGNEO** in order to avoid injuries.
- Only specially qualified staff may open the power supply housing.
- Lay the power cord so that nobody can trip over the cable or unplug it by mistake.
- Do not operate the **CS 80 MAGNEO** when the power cord is damaged.
- Always pull at the plug and never at the cable when unplugging the power supply.
- Only operate the mains switch at the header profile while the door stands still or is permanently open.
- No pushbuttons/switches, pictures etc. must be located within the door's movement range. Baseboards have to be removed if required.
- Following the successful installation of the system, you have to check the settings as well as the **CS 80 MAGNEO** and the safety devices for proper functioning.
- The installation described herein is only an example. Structural or local conditions, available tools or other conditions might suggest a different approach.
- This device must not be disposed of as domestic waste.

CS 80 MAGNEO - Awarded safety



Developed according to the latest safety standards:

- + **Low-Energy-Mode in accordance with DIN standard**
- +  **Tested Safety**
- + **CE - mark**

The TÜV certificate and the **CE** certificate can be obtained from the manufacturer on demand.

2. Functional Characteristics

2.1 General information

The **CS 80 MAGNEO** is a single-panel electromechanical sliding door operator for small and light interior doors with an admissible weight from 20 kg to 80 kg per door panel. The opening and closing speed respectively depend on the weight of the door panel and can be adjusted via a potentiometer (infinitely variable).

2.2 Commissioning

During the first commissioning of the operator, the facility operator has to perform a learning cycle according to the commissioning instructions. When the facility operator connects the system to the power supply (plugs it in) the light indicator at the operator will blink and the operator has no function. The door can be opened and closed manually. Following the learning cycle the light indicator goes on and the operator is ready for operation.

2.3 Energy modes

With the aid of a sealed switch (located inside the operator), the system can be switched from Low-Energy-Mode to Full-Energy-Mode (mandatory installation of safety devices).

Low-Energy-Mode (Standard)

According to the standard (DIN 18650) the force with which a door panel hits an obstacle must be limited when a system is operated in Low-Energy-Mode. Therefore the operator moves the door panel at correspondingly low speed and no additional safety sensors are required. The potentiometer (located inside the operator) can only be used to reduce the speed.

Full-Energy-Mode

The forces are limited in this mode as well. Due to the increased contact forces, safety equipment is compulsory in most cases.

The speed is infinitely variable with the aid of a potentiometer (located inside the operator).

The closing cycle always remains in Low-Energy-Mode.


2.4 Operation modes

OFF: The operator is switched off. You can move the door by hand.

AUTOMATIC: When the system has been activated via pushbutton, radio remote control or similar, the operator opens the door and closes it on expiry of the adjusted hold-open time.

PERMANENT OPEN: The operator opens the door and holds it in "open" position until it receives another signal.

When the system is delivered, the **CS 80 MAGNEO** is adjusted to AUTOMATIC Mode.

 An external program switch is required to change the operation mode.

2.5 Functions in AUTOMATIC Mode

Push & Go

As soon as the door is moved manually into opening direction by approximately 10 mm, the operator will automatically move the door panel further in the desired direction. The door closes automatically.

Permanent Open via double-click

A double-click on the pushbutton (activate the pushbutton twice in quick succession) will open the door. When you double-click on the button for a second time or move the door panel by hand, the door will close.

Opening/closing via pushbutton

As soon as you push the button or move the door manually the door will open. When you push the button for a second time or move the door panel by hand, the door will close.

Express-Function

The door can be moved manually in its operational direction and there will be no extra resistance. However, when the maximum speed is exceeded, the operational resistance will increase in line with the speed by which it is exceeded. As soon as the user has released the door panel, the operator will softly slow it down to maximum speed. This function is activated during all opening and closing cycles.

2.6 Safety functions

Static forces in Low-Energy-Mode

The system does not exceed a value of 67 N during opening and closing cycles.

Opening cycle

As soon as the door hits an obstacle during an opening cycle, it will immediately stop and remain in its position for 3 seconds. Then the operator will try to continue the opening cycle. If the door panel hits an obstacle three times during an opening cycle, it will close.

Closing cycle

When the door panel hits an obstacle while closing, it will immediately stop and perform an opening cycle.

2.7 Safety sensors


You can install sensors to detect obstacles. According to DIN 18650, an automatic sensor test can be activated or deactivated via the DIP switches located inside the operator.

The door will stop immediately when the sensor detects an obstacle during an opening cycle and will continue the cycle as soon as the obstacle has been removed. In case the obstacle is not removed, the door will close on expiry of the adjusted hold-open time.


The door will stop immediately and reverse when the sensor detects an obstacle during an closing cycle. This function is not activated while the door is in "closed" position (then the sensor is deactivated).

2.8 Power failure

In the event of a power failure, the door can be opened and closed by hand.

 However, in this case the operator does not slow down (brake) the door panel, so that the user has to move (hold) it all the way by hand.

As soon as the voltage returns, the operator will automatically perform a position initialization.

 During this position initialization, it is essential that the movement range of the door is free of obstacles.

3. Technical data and features

Power supply:

Power supply: 220 – 230 V AC $\pm 10\%$; 50/60 Hz

Fuse protection (by others): 10 A

Cable type: max. 3 x 1.5 mm²

Power consumption without external accessories:

Stand-By-Mode: 3.7 W

Automatic-Mode: max. 60 W

General information:

Temperature range: 0-40° C

Operating noise of operator: max. 55 dB (A)

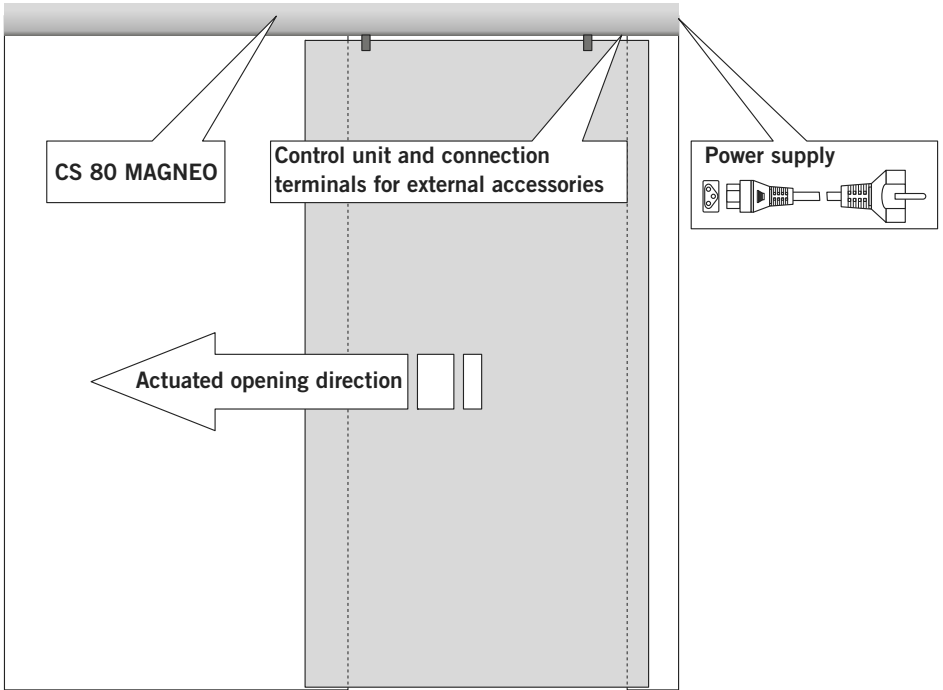
Door panel height: max. 3000 mm

Door panel weight: 20 kg - 80 kg

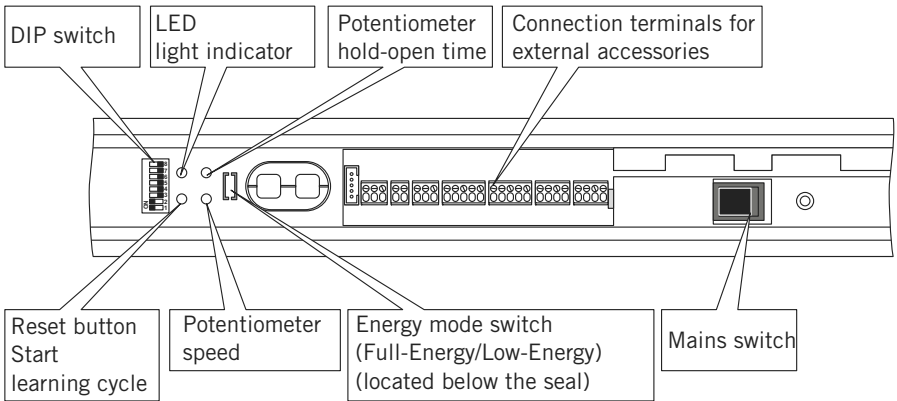
Weight of operator:

max. movement range	Operator length without cover	Weight of operator
875 mm	1750 mm	8.6 kg
1000 mm	2000 mm	9.4 kg
1125 mm	2250 mm	10.2 kg

4. System overview




Control unit and connection terminals for external accessories




5. Before mounting

Basic requirements:


 **Work on electrical equipment may only be performed by properly qualified staff (electricians).**

- The floor has to be level.
- Glass door panels have to be made of safety glass.
- The connection cables for external accessories (program switch etc.) must be located in the close range of the operator before starting the installation of the system.
- With in-wall mounting, the wall must not be closed before the system has been mounted.

 **When the system is installed with permanent power supply (the cable comes directly out of the wall), ensure that the power supply line is dead (de-energized) during installation.**

The power supply line, max. 3 x 1.5 mm² (Schuko-type shockproof socket or permanent power supply) must have a 10 A fuse protection.

Opening direction:

 The connections of the operator are always located on the side where the door is when it is in “closed” position.

Therefore the operator is symmetrical and can be turned the way you require it. This installation instructions show the system with connection on the right side. Thus the installation with connection on the left side is realised laterally reversed.

Please note:

In case you require additional accessories, please contact your local dealer.

If you have technical questions or require help during the installation of the system, please contact our hotline under the following number:


Please call the following number in case of technical problems or further questions:

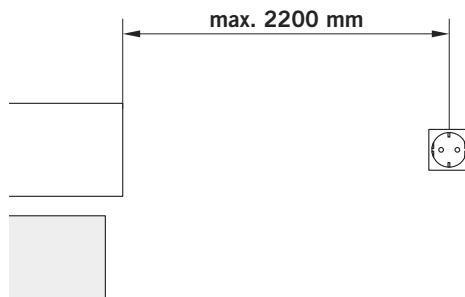


01462 477 602


The cable of the power supply line has a length of 2.5 m. Thus a Schuko-type shockproof socket (230 V AC, 50/60 Hz) must be available within this distance.

For in-wall mounting:

 When installing the socket, please remember that you should be able to reach it by hand.

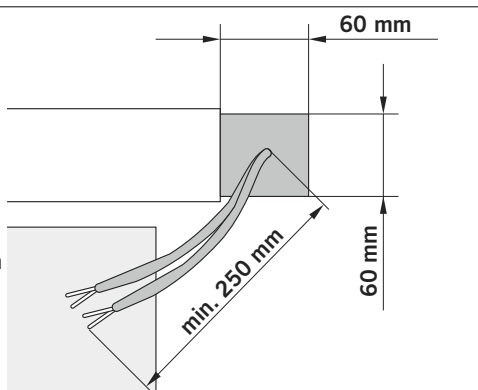


CS 80 MAGNEO

 In order to facilitate the cabling inside the operator, all cables should have a length of at least 250 mm.

For on-wall mounting:

If you want all connection cables that are coming out of the wall not to be seen after the installation (only possible with permanent power supply), they have to come out of the wall within an area of 60 x 60 mm on the side where the connections of the operator are located.




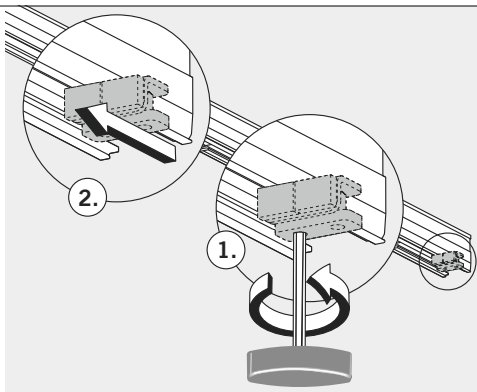
Installation with permanent power supply:

When the system is installed with permanent power supply, the internal power supply socket has to be removed.


Proceed as follows:

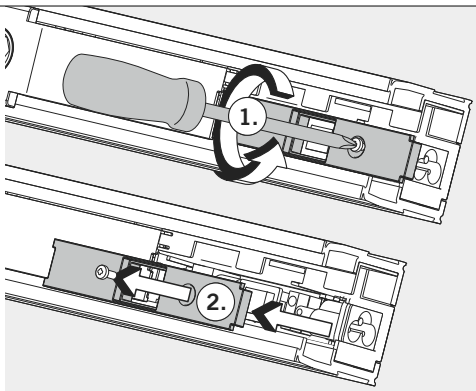
Relax the screws at the end stop and move the end stop to the centre of the system.

 Do not remove or screw down the end stop.



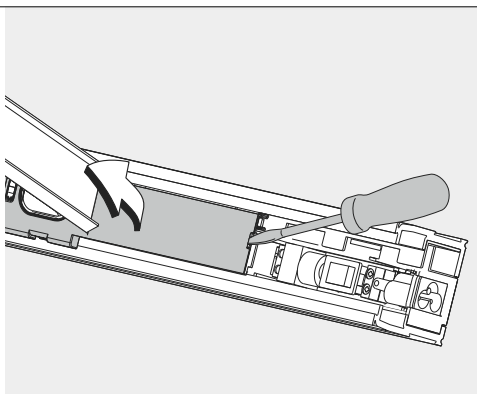
Then relax the screw in the cover of the power supply housing and remove the cover (on the side where the connections are located).

 Keep the cover and the screw in a safe place as you will require it later.

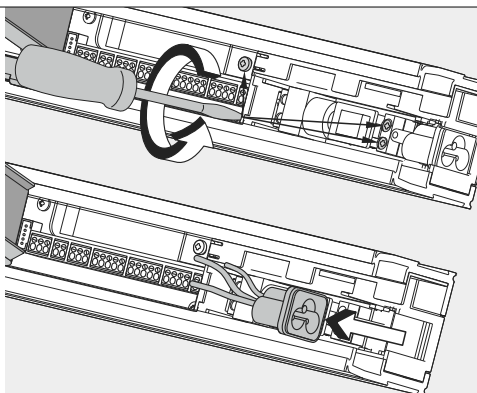


CS 80 MAGNEO


Open careful the cover of the control unit housing by levering it out with the tip of a flat-bladed screwdriver.

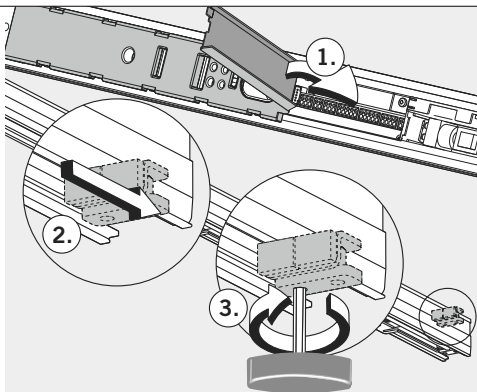


Relax the screws of the connection terminals and remove the internal Schuko-type shockproof socket.



Then close the cover of the control unit housing.
Move the end stop to the end of the channel and screw it down.

 The end stop must not overlap.



6. Installation instructions for on-wall mounting

Mounting procedure

If there is a door frame, you have to shim the angle brackets with the shim plate (optional).

1. Auxiliary lines for positioning purposes

See bottom of this page.

2.a Installation without shim plate

See Page 15 and 16.

2.b Installation with shim plate

See Page 17.

3. Further installation

See Page 18 – 21.

Reference lines for positioning purposes.

For the installation without shim plate

Mark the centre of the passage on the wall.

For the installation with shim plate

Mark the centre of the passage on the wall.

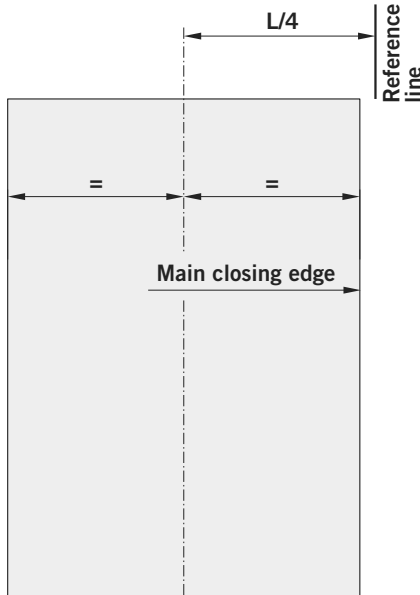
Please have a look at the table for the required dimension **L/4** for your operator.


L corresponds to the operator length.

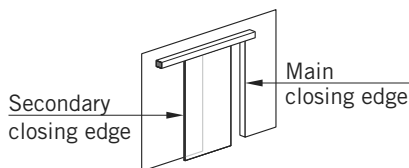
Now mark the reference line.

Always mark the reference line on the side of the main closing edge.

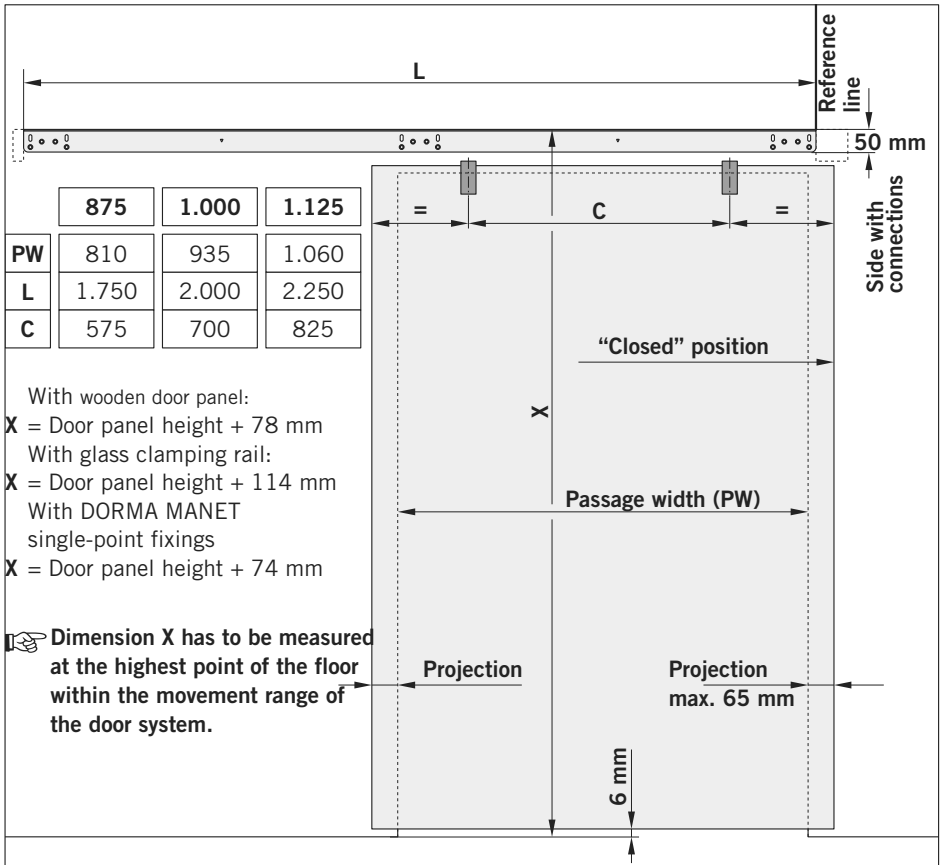
	875	1000	1125
L	1750	2000	2250
L/4	437.5	500	562.5



 In case the door panel shall not be positioned in the centre of the passage, the bracket or shim plate has to be shifted by the desired dimension.



CS 80 MAGNEO




- The "closed" position is always located on the side where the connections are.
- Dimension L (Length of operator and fixing bracket) is measured without end caps.

Take dimension **X** from floor level; then position and mark the upper edge of the fixing bracket onto the wall.

- **The distance between the bottom edge of the door panel and the floor should amount to 6 mm, however, it must not exceed 8 mm.**

CS 80 MAGNEO


-  **Before drilling the holes, check if there are cables or pipes in the close range of the drill holes.**

Position the fixing bracket onto the centre line.

Ensure that the bottom vertex of the triangle is located exactly on the centre line.


Align the fixing bracket so that it is level.

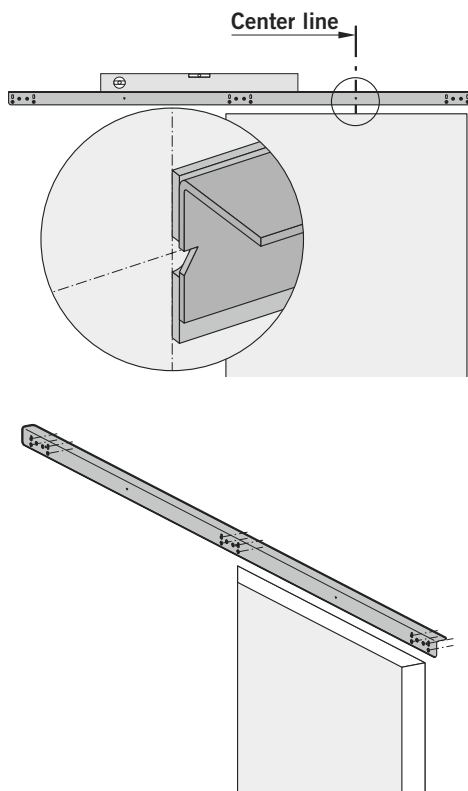
Fix the bracket with screws
(one screw respectively per one oblong hole on each side).

-  **Use adequate wall plugs and screws depending on the prevailing structure when fixing the bracket.**
The supplied screws and wall plugs are suitable for concrete and brickwork.

Recheck the fixing bracket for exact positioning.

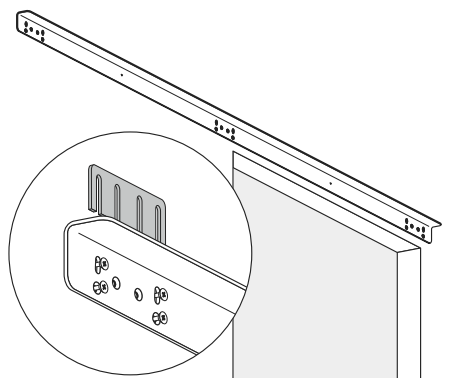
Drill the further holes through the drill holes in the fixing bracket and fix the bracket with at least 12 screws.

-  **The load-bearing capacity of the fixing bracket must amount to at least 240 kg.**



In case of uneven walls you have to shim the bracket so that it does not bend.

Use the enclosed distance plates in different sizes for this purpose.



CS 80 MAGNEO

Mounting with shim plate

Position the shim plate at the reference line.


Calculate the dimension from the floor to the upper edge of the shim plate as follows:

Door panel height + 78 mm


When using DORMA MANET single-point fixings:

Door panel height + 74 mm


Align the shim plate so that it is level and mark the drill holes.

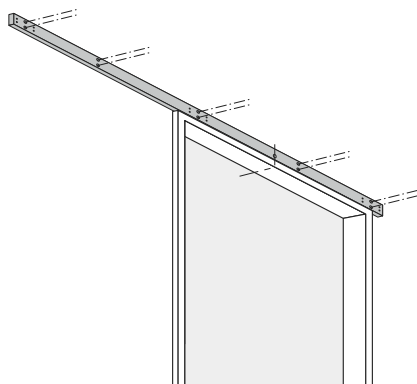
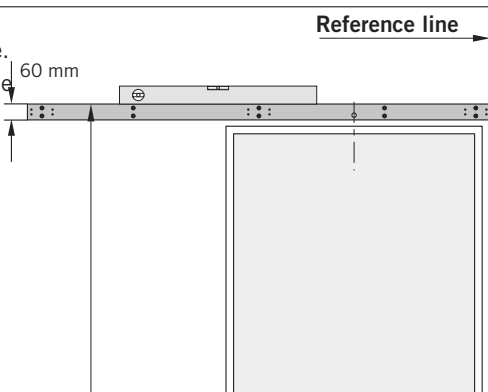
 **Before drilling the holes, check if there are cables or pipes in the close range of the drill holes.**


Drill the marked holes and fix the shim plate.

 **Use adequate wall plugs and screws with respect to the prevailing structure.**

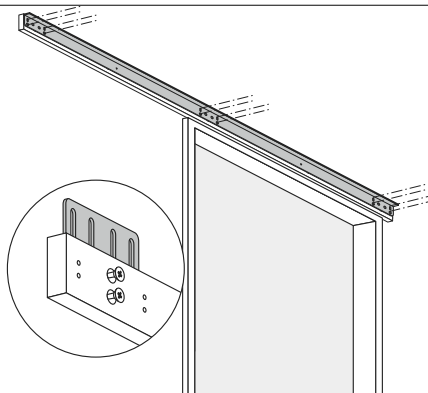
The supplied screws and wall plugs are suitable for concrete and brickwork.

 **The load-bearing capacity of the fixing bracket must amount to at least 240 kg.**




 In case the frame is thicker than 10 mm, you have to underlay the shim plate with the enclosed distance plates so that it is flush with the door frame.

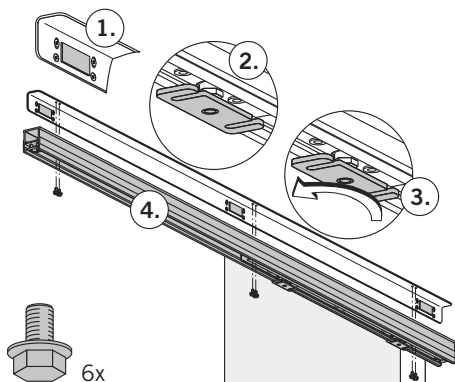
Use 12 screws to fix the bracket to the shim plate.




CS 80 MAGNEO

1. Adhere 3 pieces of felt equally onto the bracket.
2. The openings of the door panel suspension have to point to the front.
3. When using MANET fixings, the door panel suspensions have to be unscrewed.
4. Fix the operator below the bracket with 6 hex screws (lock screws) (**8 Nm**).

 You will have to move the carrier in order to reach all 6 holes.



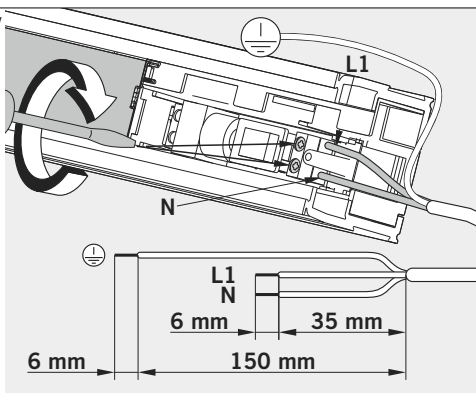
Connection of 230 V permanent power supply

 **Work on electrical equipment may only be performed by properly qualified staff (electricians).**

Before starting with the installation, make sure that the power supply line is dead (de-energized).


Relax the end stop and move it to the centre of the system (see page 11, picture in the middle).

Cut the leads to length, dismantle them and connect L1 and N to the connection terminals of the power supply.



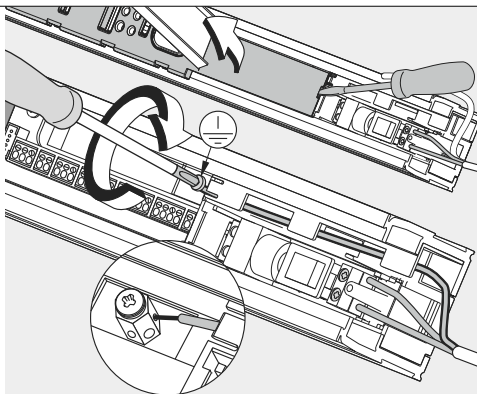
Lever out the cover at the control unit housing with the aid of a screwdriver.

Lay the grounding line through the housing of the operator as shown in the picture and connect it to the grounding terminal (PE).

 **The grounding (PE) has to be connected in any case.**

Connect all external accessories but the safety sensors.

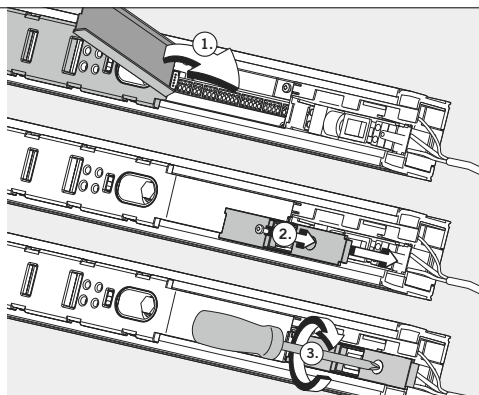
Please refer to the instructions for the cable channel on page 26.



CS 80 MAGNEO

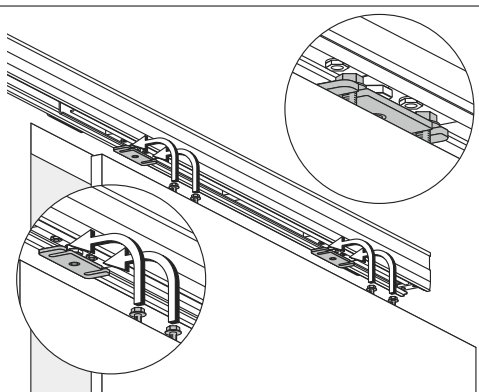
Close the cover of the control unit housing.
Fix and screw down the cover of the power supply housing.


Move the end stop to the end of the channel and screw it down thoroughly (see page 13, picture at the bottom).

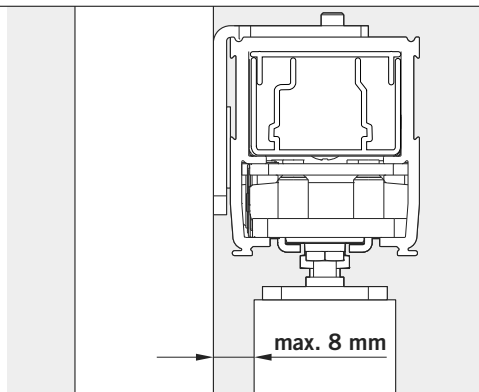


Insert the panel into the door panel suspension as indicated in the picture, align it so that it is parallel to the wall and screw it down.

When using MANET fixings, please consider the instructions enclosed with the MANET fixings.




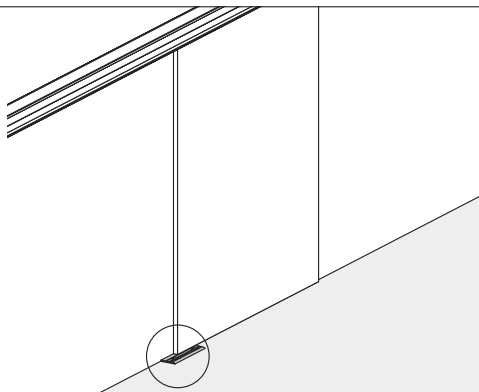
 The distance between door panel and wall must not exceed 8 mm.




CS 80 MAGNEO

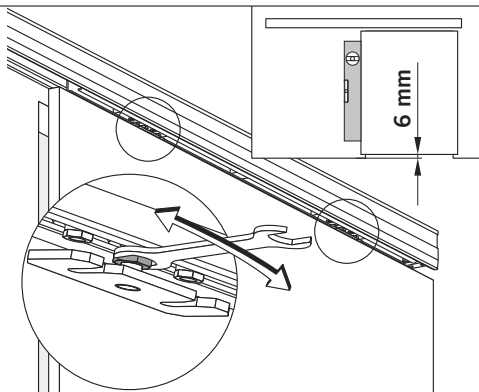
Locate and fix the provided floor guide rail.
Please consider the mounting instructions of the doorkit.

-  When adjusting the floor guide you have to make sure that the door panel runs smoothly through the floor guide (does not rub against the floor guide).




Align the door panel with the aid of the adjustment nuts so that it is level.

-  **The distance between the bottom edge of the door panel and the floor should amount to 6 mm, however, it must not exceed 8 mm.**



Relax the screws of the end stop on the side where the connections are and move the door to the desired "closed" position. Move the end stop next to the door panel and screw down tight (5 Nm).

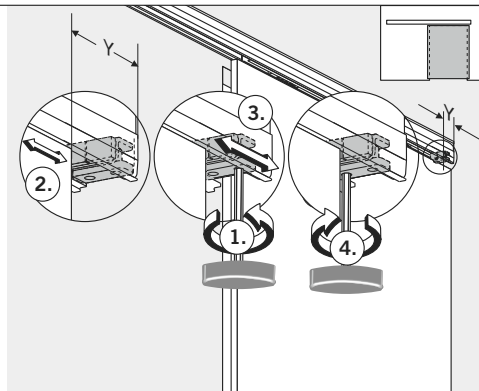
-  The end stop may only be moved to the inside by a certain dimension.

875 mm operator => max. 200 mm

1000 mm operator => max. 250 mm


1125 mm operator => max. 300 mm

The end stop must not overlap at the outer edge.



CS 80 MAGNEO

Relax the screws of end stop on the other side and move the door to the desired "open" position. Move the end stop next to the door panel and screw down tight (5 Nm).

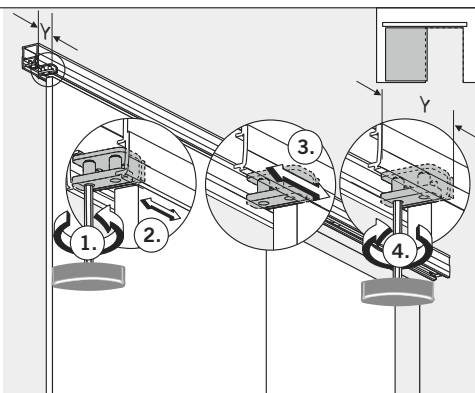
 The end stop may only be moved to the inside by a certain dimension.

875 mm operator => max. 200 mm


1000 mm operator => max. 250 mm

1125 mm operator => max. 300 mm

The end stop must not overlap at the outer edge.

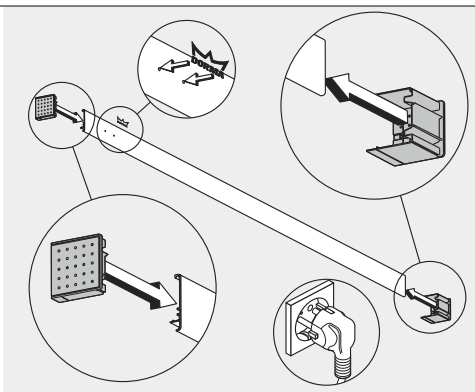


Fix the DORMA logo in the two drill holes. Insert the end caps into the cover.

 Depending on the prevailing structural conditions, the end caps can either be cut to length or broke out at the predetermined breaking points.

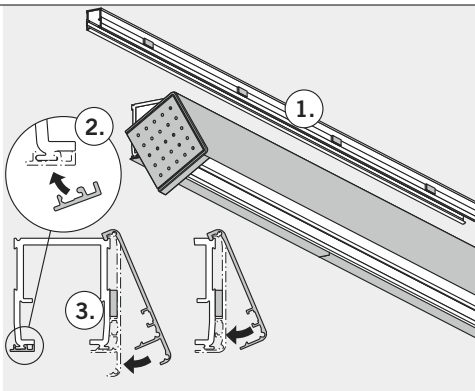
Please install radio receivers, program switches and/or sensors and lay the cables as indicated in the enclosed instructions.

When the system is operated with a power plug, plug it in.

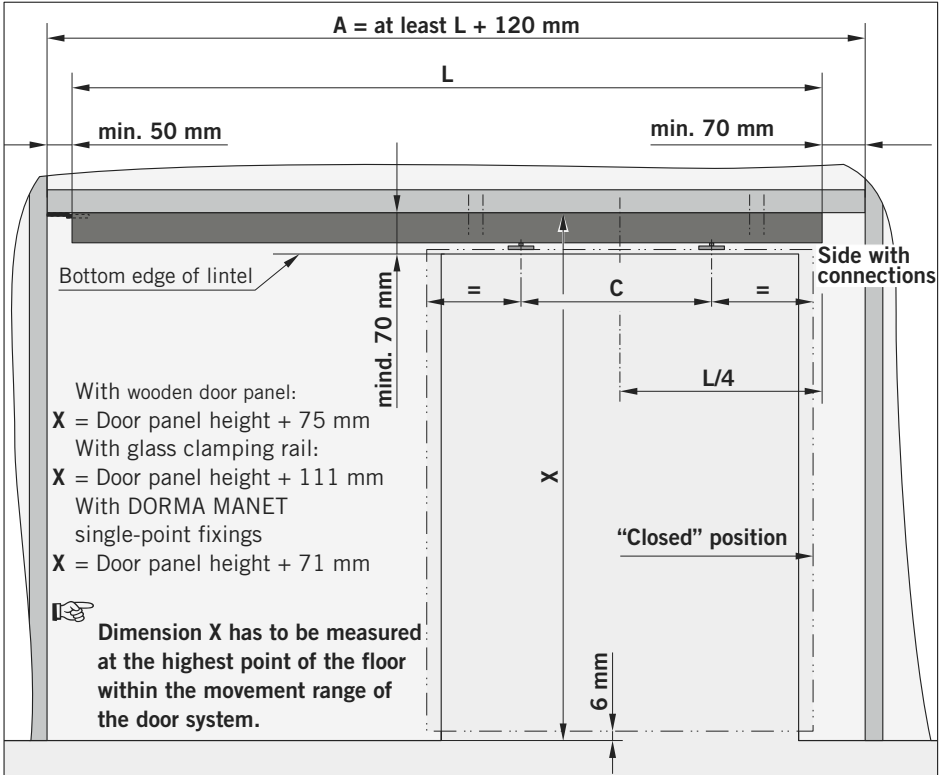


1. Adhere the 4 provided pieces of foam rubber equally onto the operator.
2. Fix the black wall connection profiles at the bottom of the operator on the side where it is connected to the wall. Cut the last profile to length with the aid of a knife.
3. Place the cover onto the operator and clip it shut. When using DORMA MANET single-point fixings, you have to use the shorter cover (displayed on the right side).

Continue with the commissioning of the system as indicated starting from page 31.



7. Installation instructions for in-wall mounting



The wall must not be closed before the system has been installed.

- The connections should always be on the side where the door panel is when the door is in “closed” position.
- Dimension **L** stands for the operator length.
- Dimension **L/4** indicates the distance from the centre of the passage area to the side of the operator where the connections are located.
- The distance between the door panel and the floor should amount to 6 mm and must not exceed 8 mm.

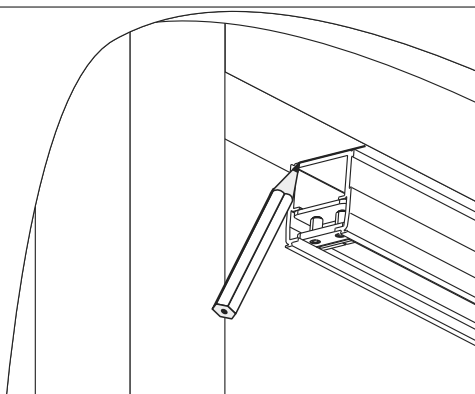
The holes for the cables must be sufficiently big and must not have sharp edges.

Please have a look at the table and the drawing for the dimensions regarding your operator.

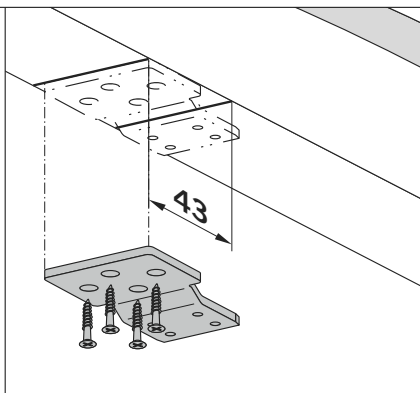
L	1750	2000	2250
L/4	437.5	500	562.5
A	mind. 1870	mind. 2120	mind. 2370
C	575	700	825

CS 80 MAGNEO


Hold the operator in the desired position and mark the end of the operator on the side opposite the connections.




Draw a further line at a distance of 43 mm. Then position the fixing bracket at the second line and mark the drill holes. Drill the holes and fix the fixing bracket with adequate screws.

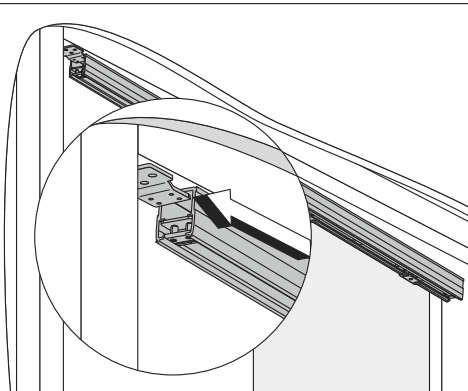


Then move the operator over the fixing bracket as far as it will go.

 Make sure to position the operator correctly, i.e. the side with the connections must be opposite the fixing bracket.


 Never leave the operator on the fixing bracket without holding it in position as this would deform the fixing bracket.

Align the operator so that it is parallel to the wall.



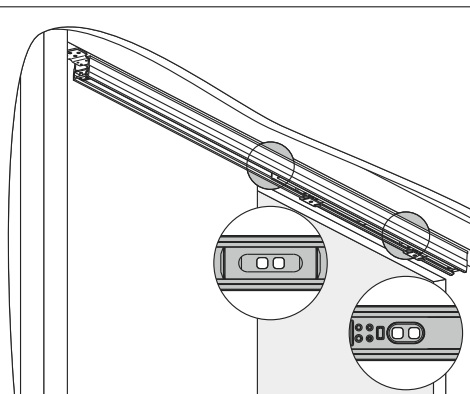
CS 80 MAGNEO

Then mark the fixing holes through the holes in the operator.


 In order to reach all 4 holes, you have to move the carrier.


Remove the operator and drill fixing holes with a diameter of 4.2 mm for the supplied sheet metal screws.


The sheet metal must at least be 2 mm thick and the subconstruction must at least carry 240 kg.

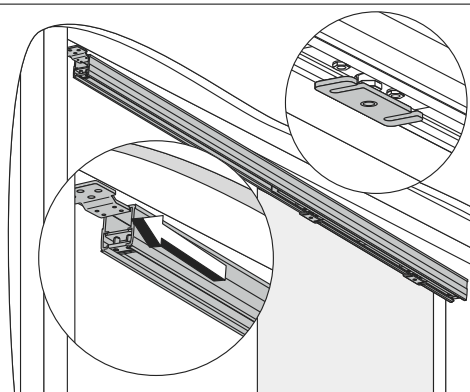


Then move the operator over the fixing bracket as far as it will go.


 The side with the connections must be opposite the fixing bracket.

 Never leave the operator on the fixing bracket without holding it in position as this would deform the fixing bracket.

 The openings of the door panel suspension have to point to the front as you cannot turn them following the installation of the system.

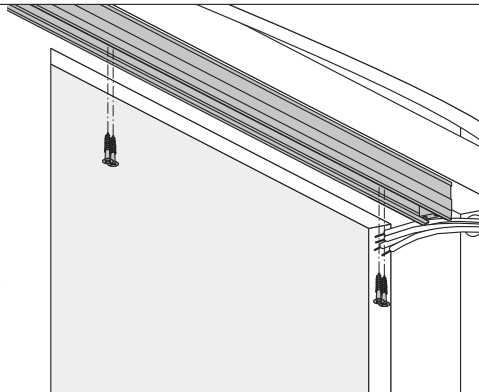


Fix the operator under the cross girder with the selected screws.

 The operator has to be fixed so that it is exactly level and parallel to the wall.

All connection cables have to be laid in the close range of the operator at this point.

The holes for the cables must be sufficiently big and must not have sharp edges.



CS 80 MAGNEO

Connection of 230 V permanent power supply

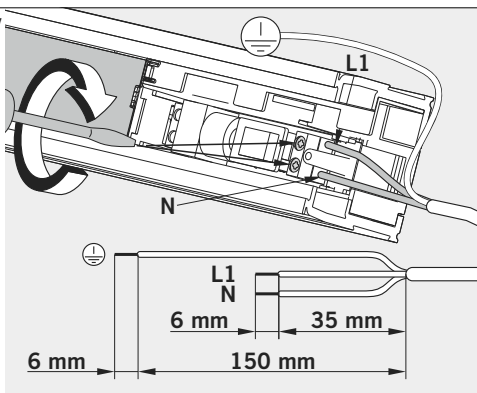


Work on electrical equipment may only be performed by properly qualified staff (electricians).

Before starting with the installation, make sure that the power supply line is dead (de-energized).

Relax the end stop and move it to the centre of the system (see page 12, picture in the middle).

Cut the leads to length, dismantle them and connect L1 and N to the connection terminals of the power supply.



Lever out the cover at the control unit housing with the aid of a screwdriver.

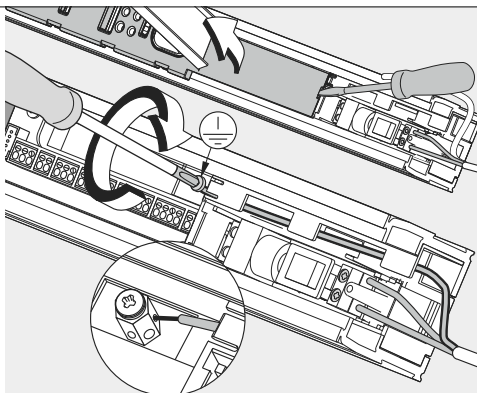
Lay the grounding line through the housing of the operator as shown in the picture and connect it to the grounding terminal (PE).



The grounding (PE) has to be connected in any case.

Connect all external accessories but the safety sensors.

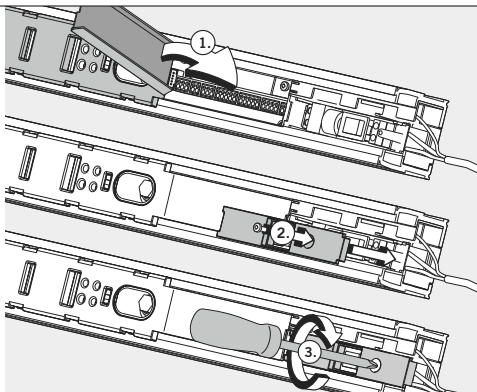
Please refer to the instructions for the cable channel on page 29.



Close the cover of the control unit housing.


Fix and screw down the cover of the power supply housing.

Move the end stop to the end of the channel and screw it down thoroughly (see page 13, picture at the bottom).




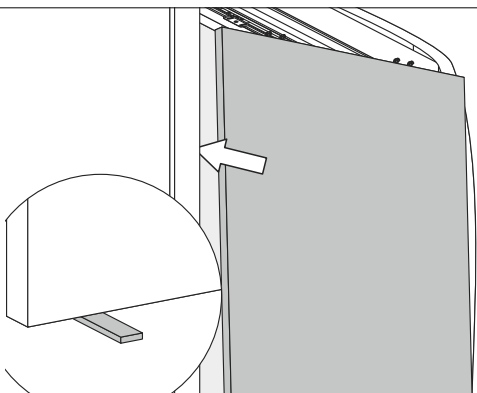
CS 80 MAGNEO

Move the end stop to the end of the channel.

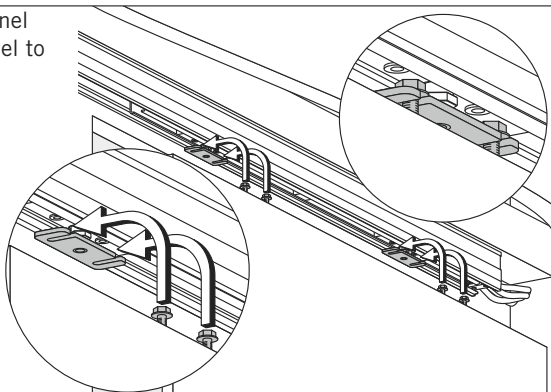
 The end stop must not fall out of the operator.

Place the door panel inside the door frame.
As the door panel is wider than the doorway, you will have to tilt it.

 As it will be difficult to get hold of the door panel with in-wall mounting, you should use wooden wedges to help you to lift the door panel.




Insert the door panel into the door panel suspension, align it so that it is parallel to the wall and screw it lightly down.

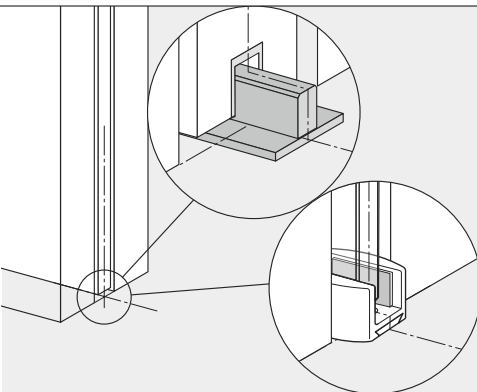


Move the door to "open" position, then fix the provided floor guide in the proper position.

Please consider the mounting instructions of the doorkit guide.

 When adjusting the floor guide you have to make sure that the door panel runs smoothly through the floor guide (does not rub against the floor guide)

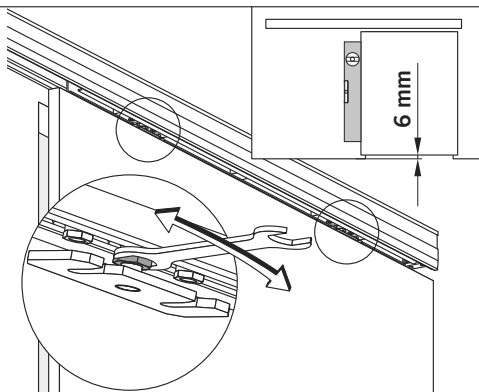
Screw the door panel down.



CS 80 MAGNEO

Align the door panel with the aid of the adjustment nuts so that it is level.

☞ The distance between the bottom edge of the door panel and the floor should amount to 6 mm, however, it must not exceed 8 mm.



Relax the screws of the end stop on the side where the connections are and move the door to the desired “closed” position. Move the end stop next to the door panel and screw down tight (5 Nm).

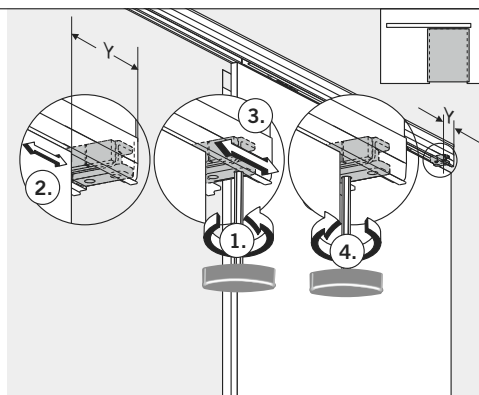
☞ The end stop may only be moved to the inside by a certain dimension.

875 mm operator => max. 200 mm

1000 mm operator => max. 250 mm

1125 mm operator => max. 300 mm

The end stop must not overlap at the outer edge.



Relax the screws of end stop on the other side and move the door to the desired “open” position. Move the end stop next to the door panel and screw down tight (5 Nm).

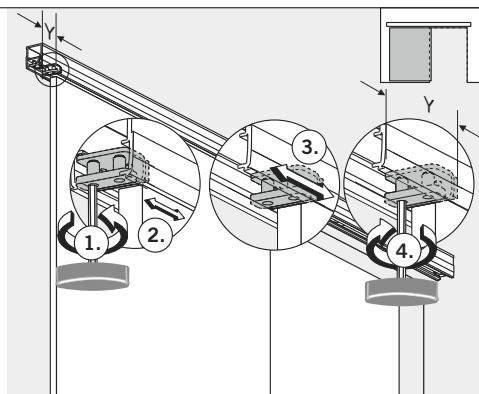
☞ The end stop may only be moved to the inside by a certain dimension.

875 mm operator => max. 200 mm


1000 mm operator => max. 250 mm

1125 mm operator => max. 300 mm

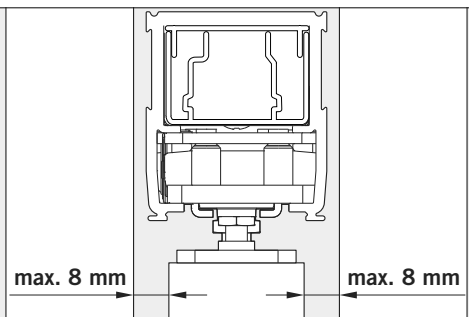
The end stop must not overlap at the outer edge.



CS 80 MAGNEO

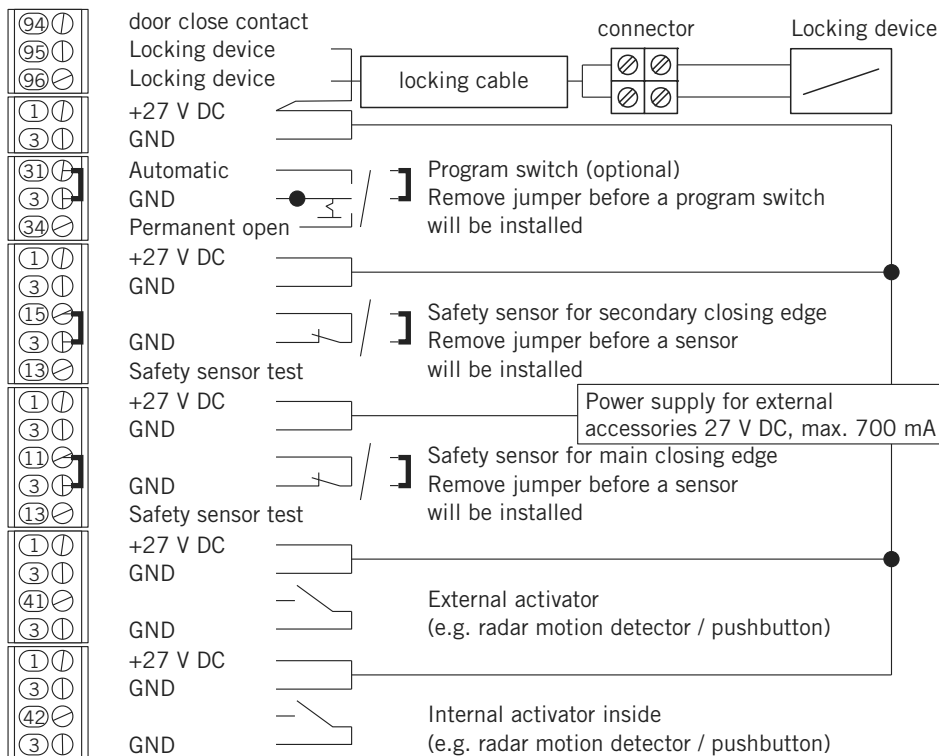
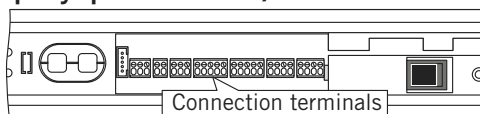
 The distance between door panel and wall must not exceed 8 mm.
The clearance has to be covered with brushes or similar, if required.

Please install radio receivers, program switches and/or sensors and lay the cables as indicated in the enclosed instructions.
Continue with the commissioning of the system as indicated starting from page 31.



8. Connection diagrams (Only for properly qualified staff!)

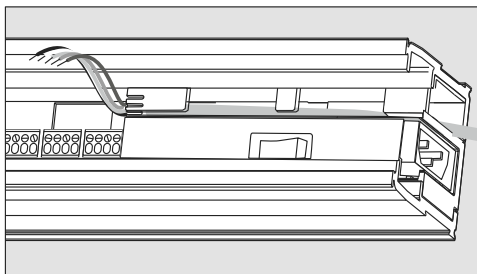
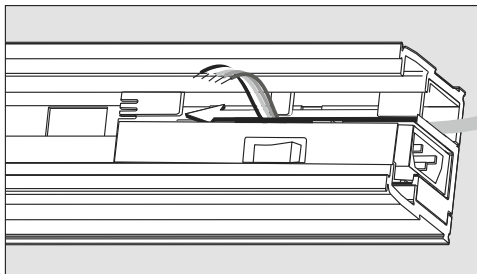
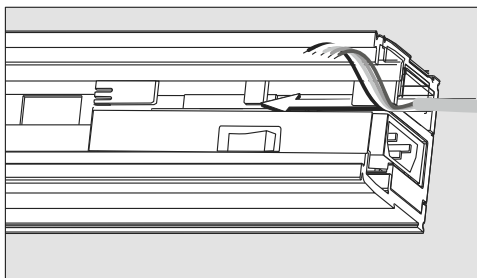
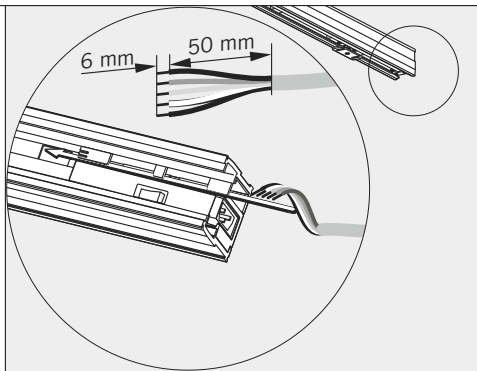
In order to facilitate the connection of the wires, the different terminal blocks can be removed with pointed pliers.



Power supply for external accessories 27 V DC, max. 700 mA

9. Cable channel

The cables for external accessories (sensors, pushbuttons etc.) have to be laid inside a cable channel as indicated in the picture.



10. Connection of closing edge protection

 **This work may only be performed by properly qualified staff.**

When testable sensors for the protection of the closing edges are connected, the control unit has to be adjusted to the sensors via the DIP switches.

When a sensor is connected to the main closing edge

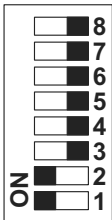
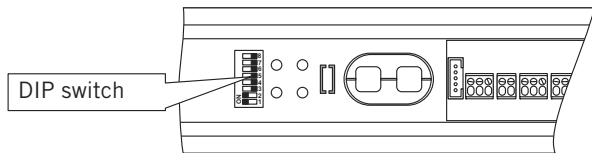
Set DIP switch 1 to ON and DIP switch 3 to OFF.

When a sensor is connected to the secondary closing edge

Set DIP switch 2 to ON and DIP switch 3 to OFF.

When sensors are connected to the main and secondary closing edge

Set DIP switch 1 and 2 to ON and DIP switch 3 to OFF.



- 3 **ON** = test high active
- OFF** = test low active
- 2 **ON** = sensor test for secondary closing edge activated
- OFF** = sensor test for secondary closing edge deactivated
- 1 **ON** = sensor test for main closing edge activated
- OFF** = sensor test for main closing edge deactivated

11. Commissioning

Basic requirements


- The **CS 80 MAGNEO** is completely mounted.
- You can move the door smoothly over the complete movement range.

General information

When you connect the system to the power supply (plug it in) the green light indicator blinks and the operator has no function. You can access the door manually.

In order to make the operator ready for operation, you have to perform a learning cycle.

The green LED goes on following the learning cycle. The **CS 80 MAGNEO** is now ready for operation and operates in Low-Energy-Mode.

 Apart from during commissioning, a learning cycle has to be performed every time the position of an end stop has been adjusted or the weight of the door has changed.

This "approach" describes the commissioning of the standard door system. Accessories and different operation modes can be adjusted after the system has been commissioned. Sensors are connected and adjusted following the successful commissioning of the system.

The light indicator (LED) will give you visual feedback.

The settings stored during the commissioning of the system can be overwritten by performing a new commissioning.


Learning cycle

In order to start the learning cycle:

- The door must be open.
- The operator must be switched on.
- The movement range of the door must be free of obstacles.

The green LED will blink before the first learning cycle.

Press and hold the "Reset" button for more than 3 seconds.


 Do not interrupt the learning cycle as the system currently learns all values it requires.

During the learning cycle the door will:


Open twice and close again. The LED will blink green at certain intervals then it will show a permanent green light.

The CS 80 MAGNEO is now ready for operation.

How to switch the system from Low-Energy- to Full-Energy-Mode

 **Only authorized staff (authorization on the part of DORMA required) may switch the CS 80 MAGNEO to Full-Energy-Mode. As there are higher forces in Full-Energy-Mode, the closing edges have to be protected by safety sensors.**

Therefore we do not explain how to switch the system to Full-Energy-Mode in these instructions.

 **Only use the enclosed red screwdriver to perform potentiometer adjustments!**



Speed adjustment

speed /
Geschwindigkeit

The maximum speed depends on the weight of the door panel. You can reduce the speed with the aid of the potentiometer (infinitely variable).



Adjustment of hold-open time

hold open time /
Offenhaltezeit

The door will close automatically on expiry of the adjusted hold-open time following it has reached "open" position. You can adjust the hold-open time infinitely from 5 to 30 seconds with the aid of the potentiometer.



CS 80 MAGNEO

Permanent Open Function via double-click

This function can only be adjusted when a pushbutton is connected.

In order to activate this function, DIP switches 4 and 5 at the control unit have to be set to "ON" position.

Opening/closing via pushbutton

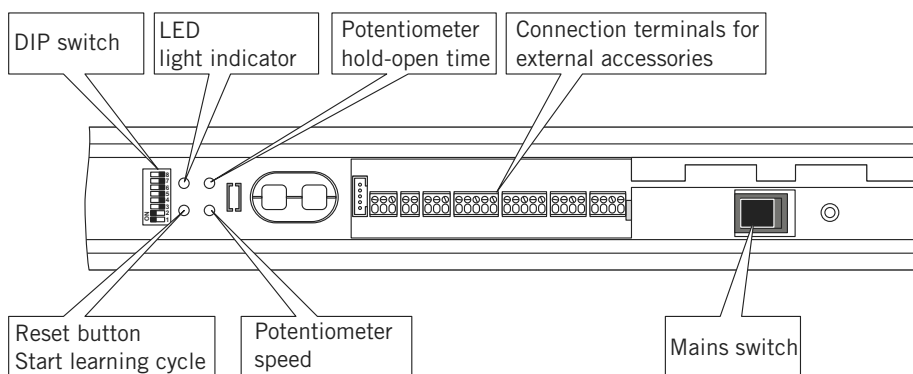
This function is only available with pushbutton or Push & Go Function.

In order to activate it, DIP switches 4, 5 and 6 have to be set to "ON" position.

Closing force

In case the door does not close properly due to the door seals, you can increase the force with which the operator presses the door against the seal.

In order to do so, set DIP switch 7 to "ON" position.



DIP switch settings

You can activate different inputs at the connection terminals via these switches and thus adjust different operation modes.

- | | | |
|---|---|--|
| 8 | OFF = No locking function | ON = Locking function |
| 7 | OFF = Reduced closing force | ON = Enhanced closing force |
| 6 | OFF = Automatic Function activated | ON = Permanent Open Function activated |
| 5 | OFF = External motion detector activated | ON = External pushbutton activated |
| 4 | OFF = Internal motion detector activated | ON = Internal pushbutton activated |
| 3 | OFF = Test low active | ON = Test high active |
| 2 | OFF = Sensor test at secondary closing edge deactivated | |
| | ON = Sensor test at secondary closing edge activated | |
| 1 | OFF = Sensor test at main closing edge deactivated | |
| | ON = Sensor test at main closing edge activated | |

12. Operating instructions

1. Opening the door in AUTOMATIC Function

When the system is delivered, the **CS 80 MAGNEO** is adjusted to AUTOMATIC Function. Depending on the installed accessories, the door can be opened in different ways.

Push & Go

As soon as the door is moved manually into opening direction by approximately 10 mm, the operator automatically moves the door panel further in the desired direction. The door closes automatically.

Pushbutton:

Following the activation of the pushbutton (e. g. wall-mounted pushbutton or radio transmitter) the operator opens and closes the door.

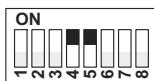
Sensors:

Where presence sensors (radar motion detectors or similar) are connected, the door opens automatically as soon as a person approaches the door system. The door closes automatically.

PERMANENT OPEN via double-click

When this function is activated, the door can be opened permanently by double-clicking the pushbutton. In order to close the door, a further double-click on the pushbutton is required.

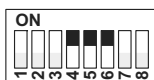
To activate this function set DIP switch **4 and 5** to **ON** position.



Opening/Closing via pushbutton

As soon as you push the button or move the door manually the door will open. When you push the button for a second time or move the door panel by hand, the door will close.

To activate this function set DIP switch **4, 5 and 6** to **ON** position.




Express-Function


The door can be moved manually along its operational path without extra resistance. When the maximum speed is exceeded, the operational resistance will increase in line with the speed by which it is exceeded. As soon as the user has released the door panel, the operator will softly slow it down to maximum speed. This function is activated during all opening and closing cycles.

2. In the event of a power failure


In the event of a power failure, the door can be opened and closed by hand.

 However, in this case the system does not brake the door panel, which means that the user has to move (hold) it all the way by hand.

As soon as the voltage returns, the operator will automatically perform a position initialization.

 During this position initialization, the movement range of the door has to be free of obstacles.


3. Adjustments

 **Only use the enclosed red screwdriver to perform potentiometer adjustments!**




Speed adjustment

speed /
Geschwindigkeit

 The maximum speed depends on the weight of the door panel. You can reduce the speed with the aid of the potentiometer (infinitely variable).

Adjustment of hold-open time

hold open time /
Offenhaltezeit

 The door will close automatically on expiry of the adjusted hold-open time following it has reached "open" position. You can adjust the hold-open time infinitely from 5 to 30 seconds with the aid of the potentiometer.

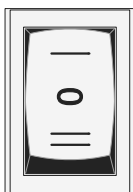
4. Closing force

In case the door does not close properly due to the door seals, you can increase the force with which the operator presses the door against the seal.

In order to do so, set DIP switch 7 to "ON" position.

5. Internal program switch (optional)

The internal program switch (if available) is installed in the lateral cover on the side where the door is when "closed".



AUTOMATIC

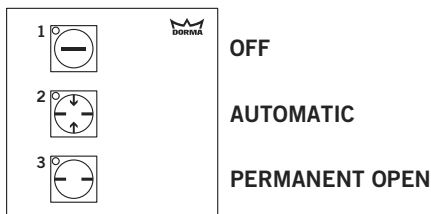
OFF

PERMANENT OPEN

Changing the operation mode

In order to change the operation mode, just adjust the program switch to the desired function.

6. Program switch EPS-S3 (optional)



OFF

AUTOMATIC

PERMANENT OPEN

Changing the operation mode

The EPS-S3 is secured via an individually adjustable 4-digit code.

1. Unlock the EPS-S3 by entering in the code.
Original setting = **1-1-1-1**.
The last 4 digits always count.
In case you entered an incorrect code, just retype the correct code.
 - The EPS-S3 is unlocked
 - The LED for the current operating mode blinks.
2. Adjust the desired operation mode by activating the respective button.
 - The LED of the selected operation mode lights up.

The EPS-S3 locks automatically 1 minute after its last activation.

Power failure

Following a power failure, the EPS-S3 is adjusted to the operation mode that has been activated before the power failure.

7. Emergency opening

If the inputs for Permanent Open (terminal 34) and Automatic (terminal 31) are connected in parallel behind GND (terminal 3), the system operates in Permanent Open mode. This allows for example connecting a key switch to ensure proper fire brigade access or an emergency opening pushbutton parallel to a program switch.

13. Commissioning and maintenance according to DIN 18650-2, 5.1-5.4

According to DIN 18650, the following points have to be observed:

- An inspection and acceptance test according to the below-mentioned checklist has to be performed before the first commissioning of the system by trained staff (trained by DORMA).
- Regular maintenance and inspections have to be performed (at least once a year) under consideration of our specifications for the **CS 80 MAGNEO** by properly trained staff.
- Documentation of the results in accordance with DIN 18650-2 paragraph 5.1-5.4. The facility operator has to keep the properly filled-out checklist according to our specifications for at least 1 year.

Checklist (start-up test, maintenance, regular inspections) according to DIN 18650-2, paragraph 5.1-5.4

- The system has been installed properly in accordance with the instructions of the manufacturer.
- The door panels run smoothly/have been readjusted (if required).
- The door works properly (check the opening and closing cycle respectively).
- Function of installed activators like radar motion detectors, pushbuttons or remote controls has been checked.
- The contactless safety equipment (safety sensors), if installed, has been checked for proper function.
- Effective safety equipment has been installed to avoid or protect danger spots between certain parts of the door system and between the door and its structural environment (like for example safety clearances or the protection of the secondary closing edges).
- Test badge has been fixed.
- The inspection and maintenance work has been documented.

The **CS 80 MAGNEO** has to be switched off and secured against unintended and unauthorized switching on before performing maintenance work (cleaning or maintenance).

Care

Only use commercial cleaning agents to clean the operator.

Scrubbing cleansers might damage (scratch) the surface of the operator.

11. Troubleshooting instructions

Malfunction	Possible cause	Remedy
The door does not respond. The green LED light indicator is off.	No power supply.	Switch on mains switch.
	Loose cable connections.	Connect cable connections thoroughly.
	Damaged power cord.	Replace power cord.
	Damaged power plug.	Replace operator.
The door does not respond. The green LED light indicator is on.	The program switch is set to [0] (OFF).	Set the program switch to the desired function.
	The program switch is set to [II] (Permanent Open).	Set the program switch to the desired function.
	The door has been adjusted to Permanent Open Function via double-click.	Close door via double-click.
	The safety sensors at the door are activated (there is something within the detection range of the sensor).	Remove obstacles. Adjust safety sensors if required.
	Damaged sensor cable.	Check and replace cables if required. Check and replace jumpers if required.
	No safety sensors are connected.	Terminals must be bridged.
The green LED light indicator blinks at certain intervals.	The operator is defective.	Replace operator.
	The learning cycle has not been performed properly.	Restart learning cycle (Page 31).
The door stops during a cycle.	The operator is defective.	Replace operator.
	The door does not run smoothly.	Check movement range and remove cause for unsmooth running. Check guide rail and floor guide for dirt or wear and clean or replace if required.
The door moves beyond the adjusted "open" or "closed" position.	The corresponding end stop has shifted its position.	Readjust end stop and tighten screws. Start learning cycle (Page 31).
The red LED light indicator illuminates permanently.	Defective control unit.	Switch mains switch off and on. Replace operator.
The red LED light indicator blinks twice at certain intervals.	Defective control unit.	Switch mains switch off and on. Replace operator.
The red LED blinks 3 times at regular intervals.	The power mode switch of the door has been switched to another position.	Switch mains switch off and on.

CS 80 MAGNEO

Malfunction	Possible cause	Remedy
The red LED blinks 4 times at regular intervals.	Testable safety sensors are defective.	Check and replace safety sensors if required.
	Damaged sensor cable.	Check and replace cables if required.
	DIP switches 1 to 3 are not set correctly.	Check settings of DIP switches and readjust if required.
The red LED blinks 5 times at regular intervals.	Incremental encoder or cable of incremental encoder is defective.	Switch mains switch off and on. Replace operator.
	The opening width is adjusted incorrectly.	Readjust opening width (end stops). Start learning cycle (Page 31).
The red LED blinks 6 times at regular intervals.	There is an obstacle within the door's movement range.	Remove obstacles from movement range.
	The opening width has been adjusted incorrectly.	Readjust opening width (end stops). Start learning cycle (Page 31).
The red LED blinks 10 times at regular intervals.	Stator or cable of stator is defective.	Switch mains switch off and on. Replace operator.
	Short circuit at the terminal connection.	1. Remove the short circuit. 2. The operator has to be switched off and then on with the aid of the mains switch.
Humming noise while door is in end position.	Inappropriate end position of door panel.	Shift end stop by at least 2 mm. Start learning cycle (Page 31).
The door panel vibrates when moving.	The guide mechanism is under tension.	Readjust the door panel connection and the floor guide if required. Turn the nuts several times in order to fix the door panels.

Operating cycle indicator

When you press the "Reset" button on the control unit for a short time, the door will open. In case the LED light indicator lights up for one second (yellow light), the system has performed more than 200,000 cycles.

You should contact the Service Department in order to have the system checked.

Please call the following number in case of technical problems or further questions:



01462 477 602

In case a defective operator has to be replaced, please contact your authorised dealer at the respective point of purchase with the respective proof of purchase. However, you have to consider that the complete basic operator including carriers has to be returned

CS 80 MAGNEO

EC Declaration of incorporation

<p>de EG-EINBAUERKLÄRUNG</p> <p>Der Hersteller DORMA GmbH + Co. KG DORMA Platz 1 58256 Ennepetal</p>	<p>en EC Declaration of Incorporation</p> <p>The manufacturer DORMA GmbH + Co. KG DORMA Platz 1 58256 Ennepetal Germany</p>
<p>erklärt hiermit, dass die unvollständige Maschine CS 80 MAGNEO</p>	<p>declares that the incomplete machine CS 80 MAGNEO</p>
<p>den folgenden grundlegenden Anforderungen der Maschinenrichtlinie (2006/42/EG) entspricht - Anhang I, Artikel: 1.1.3, 1.1.5, 1.2.1, 1.2.3, 1.2.5, 1.2.6, 1.3.2, 1.3.3, 1.3.4, 1.3.8.1, 1.3.9, 1.5.1, 1.5.2, 1.5.4 - 1.5.10, 1.5.16, 1.6.1, 1.6.2, 1.6.3, 1.6.4, 1.7.1, 1.7.1.1, 1.7.3, 1.7.4</p>	<p>complies with the following basic requirements of the Machinery Directive (2006/42/EC) - Annex I, Section: 1.1.3, 1.1.5, 1.2.1, 1.2.3, 1.2.5, 1.2.6, 1.3.2, 1.3.3, 1.3.4, 1.3.8.1, 1.3.9, 1.5.1, 1.5.2, 1.5.4 - 1.5.10, 1.5.16, 1.6.1, 1.6.2, 1.6.3, 1.6.4, 1.7.1, 1.7.1.1, 1.7.3, 1.7.4</p>
<p>Die unvollständige Maschine entspricht weiterhin allen relevanten Bestimmungen der Richtlinien 2006/95/EG und 2004/108/EG.</p> <p>Sie darf in automatischen Türanlagen gemäß der Maschinenrichtlinie eingebaut und betrieben werden, wenn der Hersteller der Anlage sicherstellt, dass alle Anforderungen, die sich aus der Maschinenrichtlinie ergeben, eingehalten werden, sowie eine EG Konformitätserklärung ausstellt.</p>	<p>The incomplete machine further complies with all relevant provisions of Directives 2006/95/EC and 2004/108/EC.</p> <p>It may be incorporated and operated in automatic door control mechanisms in conformity with the Machinery Directive provided that the manufacturer of the systems ensures that all requirements under the Machinery Directive are met and an EC Declaration of Conformity has been issued.</p>
<p>Die speziellen technischen Unterlagen wurden erstellt und sind erhältlich beim Manager Productcompliance: product.compliance@dorma.com. Sie werden einzelstaatliche Stellen auf begründetes Verlangen elektronisch übermittelt.</p>	<p>The specific technical documentation was prepared and is available from the Product Compliance Manager at product.compliance@dorma.com. It will be electronically forwarded to individual public authorities in response to a duly reasoned request.</p>

<p>bg ЕС - ДЕКЛАРАЦИЯ ЗА ВГРАЖДАНЕ</p> <p>Производителят DORMA GmbH + Co. KG DORMA Platz 1 58256 Ennepetal</p>	<p>cs ES Prohlášení o zabudování</p> <p>Výrobce DORMA GmbH + Co. KG DORMA Platz 1 58256 Ennepetal</p>
<p>декларира с настоящото, че непълната машина CS 80 MAGNEO</p>	<p>tímto prohlašuje, že neúplné zařízení CS 80 MAGNEO</p>
<p>отговаря на следните основни изисквания на директивата за машини (2006/42/ЕО) - приложение I, член: 1.1.3, 1.1.5, 1.2.1, 1.2.3, 1.2.5, 1.2.6, 1.3.2, 1.3.3, 1.3.4, 1.3.8.1, 1.3.9, 1.5.1, 1.5.2, 1.5.4 - 1.5.10, 1.5.16, 1.6.1, 1.6.2, 1.6.3, 1.6.4, 1.7.1, 1.7.1.1, 1.7.3, 1.7.4</p>	<p>splňuje následující základní požadavky Směrnice o strojních zařízeních (2006/42/ES) – příloha I, článek: 1.1.3, 1.1.5, 1.2.1, 1.2.3, 1.2.5, 1.2.6, 1.3.2, 1.3.3, 1.3.4, 1.3.8.1, 1.3.9, 1.5.1, 1.5.2, 1.5.4 - 1.5.10, 1.5.16, 1.6.1, 1.6.2, 1.6.3, 1.6.4, 1.7.1, 1.7.1.1, 1.7.3, 1.7.4</p>
<p>Непълната машина освен това отговаря на всички съответни разпоредения на директиви 2006/95/ЕС и 2004/108/ЕС.</p> <p>Тя може да бъде вградена и експлоатирана в автоматични врати, когато производителят на съоръжението гарантира, че всички изисквания, които произтичат от директивата за машините, са изпълнени, както и да представи ЕС-декларация за съответствие.</p>	<p>Neúplné zařízení odpovídá dále všem relevantním ustanovením směrnice 2006/95/ES a 2004/108/ES.</p> <p>Smí se zabudovat do dveřních zařízení a používat podle Směrnice o strojních zařízeních, pokud výrobce zajistí, že budou dodrženy všechny požadavky, které vyplývají ze Směrnice o strojních zařízeních a pokud vystaví ES prohlášení o shodě.</p>
<p>Специалните технически документи са съставени и могат да се получат от Мениджър Productcompliance: product.compliance@dorma.com. Те се предават на отделните места в държавите електронно при обсъдено искане.</p>	<p>Byly zhotoveny speciální technické podklady a jsou dostupné u manažerů oddělení shody výrobků (product compliance) pod: product.compliance@dorma.com. Na základě opodstatněné požadavky budou elektronicky poskytnuty jednotlivým krajínám.</p>

<p>da EF Inkorporeringserklæring</p> <p>oducemlen DORMA GmbH + Co. KG DORMA Platz 1 58256 D - Ennepetal</p>	<p>el ΕΕ - Δήλωση ενσωμάτωσης</p> <p>Ο κατασκευαστής DORMA GmbH + Co. KG DORMA Platz 1 58256 Ennepetal</p>
<p>erklærer hermed, at delmaskinen CS 80 MAGNEO</p>	<p>δηλώνει ότι το ημιτελές μηχανήμα CS 80 MAGNEO</p>
<p>overholder følgende grundlæggende krav i Maskindirektivet (2006/42/EF) – bilag 1, produkt: 1.1.3, 1.1.5, 1.2.1, 1.2.3, 1.2.5, 1.2.6, 1.3.2, 1.3.3, 1.3.4, 1.3.8.1, 1.3.9, 1.5.1, 1.5.2, 1.5.4 - 1.5.10, 1.5.16, 1.6.1, 1.6.2, 1.6.3, 1.6.4, 1.7.1, 1.7.1.1, 1.7.3, 1.7.4</p>	<p>ανταποκρίνεται στις ακόλουθες βασικές απαιτήσεις της Οδηγίας περί μηχανών (2006/42/ΕΚ) - Παράρτημα Ι, άρθρο: 1.1.3, 1.1.5, 1.2.1, 1.2.3, 1.2.5, 1.2.6, 1.3.2, 1.3.3, 1.3.4, 1.3.8.1, 1.3.9, 1.5.1, 1.5.2, 1.5.4 - 1.5.10, 1.5.16, 1.6.1, 1.6.2, 1.6.3, 1.6.4, 1.7.1, 1.7.1.1, 1.7.3, 1.7.4</p>
<p>Delmaskinen opfylder endvidere alle relevante bestemmelser i direktiverne 2006/95/EF og 2004/108/EF.</p> <p>Delmaskinen må indbygges og anvendes i automatiske døranlæg i henhold til Maskindirektivet, når producenten af anlægget har sikret, at alle krav, der fremgår af Maskindirektivet, er overholdt og når der er udstedt en EF overensstemmelseserklæring.</p>	<p>Το ατελές μηχανήμα πληροί ακόμα όλους τους σχετικούς κανονισμούς των Οδηγιών 2006/95/ΕΚ και 2004/108/ΕΚ.</p> <p>Σύμφωνα με την Οδηγία περί μηχανών επιτρέπεται η εγκατάσταση και η λειτουργία του σε αυτόματα συστήματα παρτών, όταν ο κατασκευαστής της εγκατάστασης διασφαλίσει ότι τηρούνται οι απαιτήσεις που απορρέουν από την Οδηγία περί μηχανών και εφόσον εκδοθεί μια ΕΕ - Δήλωση Συμμόρφωσης.</p>
<p>De særlige tekniske dokumenter er udarbejdet og kan erhverves hos Manager Productcompliance: product.compliance@dorma.com. Dokumenterne fremsendes elektronisk på forlangende til de kompetente nationale myndigheder.</p>	<p>Ο ειδικός τεχνικός φάκελος είναι διαθέσιμος από τον Manager Productcompliance στην ηλ. διεύθυνση: product.compliance@dorma.com. Κατόπιν αιτιολογημένου αιτήματος ο φάκελος αποστέλλεται ηλεκτρονικά στις εθνικές αρχές.</p>

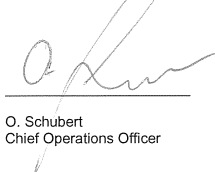
CS 80 MAGNEO

EC Declaration of incorporation

ro	sk
DECLARAȚIE DE ÎNCORPORARE CE	ES vyhlásenie o zabudovaní
Producătorul DORMA GmbH + Co. KG DORMA Platz 1 58256 Ennepetal	Výrobca DORMA GmbH + Co. KG DORMA Platz 1 58256 Ennepetal
declară prin prezenta că mașina incompletă CS 80 MAGNEO	tyto vyhlasuje, že neúplné zariadenie CS 80 MAGNEO
îndeplinește următoarele cerințe de bază prevăzute de Directiva mașinilor (2006/42/CE) - Anexa I, articolele: 1.1.3, 1.1.5, 1.2.1, 1.2.3, 1.2.5, 1.2.6, 1.3.2, 1.3.3, 1.3.4, 1.3.8.1, 1.3.9, 1.5.1, 1.5.2, 1.5.4 - 1.5.10, 1.5.16, 1.6.1, 1.6.2, 1.6.3, 1.6.4, 1.7.1, 1.7.1.1, 1.7.3, 1.7.4	spĺňa nasledovné základné požiadavky Smernice o strojových zariadeniach (2006/42/ES) – príloha I, článok: 1.1.3, 1.1.5, 1.2.1, 1.2.3, 1.2.5, 1.2.6, 1.3.2, 1.3.3, 1.3.4, 1.3.8.1, 1.3.9, 1.5.1, 1.5.2, 1.5.4 - 1.5.10, 1.5.16, 1.6.1, 1.6.2, 1.6.3, 1.6.4, 1.7.1, 1.7.1.1, 1.7.3, 1.7.4
Mașina incompletă îndeplinește și toate prevederile relevante ale Directivelor 2006/95/CE și 2004/108/CE.	Neúplné zariadenie zodpovedá ďalej všetkým relevantným ustanoveniam smerníc 2006/95/ES a 2004/108/ES.
Mașina poate fi încorporată și utilizată în instalațiile de uși automate conform Directivei mașinilor, dacă producătorul instalației se asigură că sunt respectate toate cerințele prevăzute de Directiva mașinilor, precum și dacă emite o declarație de conformitate CE.	Smie byť zabudované do dverných zariadení a používané podľa Smernice o strojových zariadeniach, ak výrobca zabezpečí, že budú dodržané všetky požiadavky, ktoré vyplývajú zo Smernice o strojových zariadeniach a ak vystaví ES vyhlásenie o zhode.
Documentația tehnică specială a fost întocmită și poate fi solicitată Managerului Productcompliance: product.compliance@dorma.com . În urma solicitării motivate această documentație poate fi transmisă pe cale electronică organismelor naționale.	Boli zhotovené špeciálne technické podklady a tieto sú dostupné u manažéra oddelenia zhody výrobkov (product compliance) pod: product.compliance@dorma.com . Na základe opodstatnenej požiadavky budú elektronicky poskytnuté jednotlivým krajčinám.

si	sv
ES IZJAVA O VGRADNJI	EG-försäkran om inmontering
Proizvajalec DORMA GmbH + Co. KG DORMA Platz 1 58256 Ennepetal	Tillverkaren DORMA GmbH + Co. KG DORMA Platz 1 58256 Ennepetal
s tem izjavlja, da je nepopolni stroj CS 80 MAGNEO	förklarar härmed att den ofullständiga maskinen CS 80 MAGNEO
v skladu z naslednjimi temeljnimi zahtevami Direktive o strojih (2006/42/ES) – Priloga I, artikel: 1.1.3, 1.1.5, 1.2.1, 1.2.3, 1.2.5, 1.2.6, 1.3.2, 1.3.3, 1.3.4, 1.3.8.1, 1.3.9, 1.5.1, 1.5.2, 1.5.4 - 1.5.10, 1.5.16, 1.6.1, 1.6.2, 1.6.3, 1.6.4, 1.7.1, 1.7.1.1, 1.7.3, 1.7.4	uppfyller följande grundläggande krav enligt maskindirektivet (2006/42/EG – Bilaga I, artikel: 1.1.3, 1.1.5, 1.2.1, 1.2.3, 1.2.5, 1.2.6, 1.3.2, 1.3.3, 1.3.4, 1.3.8.1, 1.3.9, 1.5.1, 1.5.2, 1.5.4 - 1.5.10, 1.5.16, 1.6.1, 1.6.2, 1.6.3, 1.6.4, 1.7.1, 1.7.1.1, 1.7.3, 1.7.4
Nepopolni stroj ustreza tudi vsem relevantnim določilom Direktiv 2006/95/ES in 2004/108/ES.	Den ofullständiga maskinen uppfyller hittills alla relevanta bestämmelser i direktiven 2006/95/EG och 2004/108/EG.
Vgraditi in upravljati se ga sme v avtomatskih vratnih napravah skladno z Direktivo o strojih, če proizvajalec naprave zagotovi, da so upoštevane vse zahteve, ki izhajajo iz Direktive o strojih, ter izda ES izjavo o skladnosti.	Det är tillåtet att bygga in den och sätta den i drift i automatiska dörranläggningar enligt maskindirektivet, när anläggningens tillverkare garanterar att alla de i maskindirektivet ställda kraven uppfyllts samt att en EG-försäkran om överensstämmelse utfärdats.
Posrebna tehnična dokumentacija je bila pripravljena in jo je mogoče dobi pri Manager Productcompliance: product.compliance@dorma.com . Službam posameznih držav jo bomo na utemeljeno zahtevo posredovali v elektronski obliki.	Särskilda tekniska handlingar har blivit utfärdade och kan erhållas hos chefen för Product compliance: product.compliance@dorma.com . När det finns goda skäl för detta kan i särskilda fall dessa på begäran översändas med elektronisk post.

Ennepetal, 18.10.2011



O. Schubert
Chief Operations Officer

CS 80 MAGNEO

EC Declaration of incorporation

<p>lt EB iš dalies sukomplektuotos mašinos įmontavimo deklaracija</p> <p>Gaminiojas bendrovi „DORMA GmbH + Co. KG“ DORMA Platz 1 58256 Ennepetal</p> <p>pareiškia, kad iš dalies sukomplektuota mašina CS 80 MAGNEO</p> <p>atitinka šiuos pagrindinius Mašinių direktyvos 2006/42/EB (I priedas, straipsnis) reikalavimus: 1.1.3, 1.1.5, 1.2.1, 1.2.3, 1.2.5, 1.2.6, 1.3.2, 1.3.3, 1.3.4, 1.3.8.1, 1.3.9, 1.5.1, 1.5.2, 1.5.4 - 1.5.10, 1.5.16, 1.6.1, 1.6.2, 1.6.3, 1.6.4, 1.7.1, 1.7.1.1, 1.7.3, 1.7.4</p> <p>Be to, iš dalies sukomplektuota mašina atitinka visas taikomas 2006/95/EB ir 2004/108/EB direktyvų nuostatas.</p> <p>Pagal Mašinių direktyvą ji gali būti įmontuojama į automatinis durų įrenginius ir eksploatuojama, jei įrenginio gamintojas užtikrina, kad yra laikomasi visų Mašinių direktyvos reikalavimų, ir pateikia ES atitikties deklaraciją.</p> <p>Buvo parengta speciali techninė byla, kurios galima kreiptis į vadybininką atsakingą už gaminių atitikti, adresu product.compliance@dorma.com. Esant pagrįstam reikalavimui, ji elektroniniu būdu persiunčiama nacionalinėms institucijoms.</p>	<p>lv EK Uzstādīšanas deklarācija</p> <p>Ar šo ražotājs DORMA GmbH + Co. KG DORMA Platz 1 58256 Ennepetal</p> <p>apliecina, ka nepabeigta ierīce CS 80 MAGNEO</p> <p>atbilst šādiem pamatnoteikumiem saskaņā ar EK Mašīnu direktīvas (2006/42/EK) 1.pielikuma pantu: 1.1.3, 1.1.5, 1.2.1, 1.2.3, 1.2.5, 1.2.6, 1.3.2, 1.3.3, 1.3.4, 1.3.8.1, 1.3.9, 1.5.1, 1.5.2, 1.5.4 - 1.5.10, 1.5.16, 1.6.1, 1.6.2, 1.6.3, 1.6.4, 1.7.1, 1.7.1.1, 1.7.3, 1.7.4</p> <p>Nepabeigta ierīce atbilst arī visiem saistošajiem noteikumiem saskaņā ar EK Mašīnu direktīvām 2006/95/EK un 2004/108/EK.</p> <p>To drīkst uzstādīt un izmantot automātisko durvju sistēmās atbilstoši Mašīnu direktīvai, ja iekārtas izgatavotājs garantē visu prasību ievērošanu, kas izriet no Mašīnu direktīvu norādēm, kā arī izsniedz EK Atbilstības deklarāciju.</p> <p>Specifiskie tehniskie dokumenti ir izstrādāti un pieejami pie ierīces izstrādes atbildīgā vadītāja product.compliance@dorma.com. Pēc pamatota pieprasījuma Jūs elektroniski informēs.</p>
---	--

<p>nl EG inbouwverklaring</p> <p>De fabrikant DORMA GmbH + Co. KG DORMA Platz 1 58256 Ennepetal</p> <p>verklaart bij dezen, dat de incomplete machine CS 80 MAGNEO</p> <p>voldoet aan de volgende fundamentele eisen van de machinerichtlijn 2006/42/EG - appendix I, artikel: 1.1.3, 1.1.5, 1.2.1, 1.2.3, 1.2.5, 1.2.6, 1.3.2, 1.3.3, 1.3.4, 1.3.8.1, 1.3.9, 1.5.1, 1.5.2, 1.5.4 - 1.5.10, 1.5.16, 1.6.1, 1.6.2, 1.6.3, 1.6.4, 1.7.1, 1.7.1.1, 1.7.3, 1.7.4</p> <p>De incomplete machine voldoet voorts aan alle relevante bepalingen van de richtlijnen 2006/95/EG en 2004/108/EG</p> <p>Deze mag in automatische deursystemen conform de machinerichtlijn worden ingebouwd en toegepast, wanneer de fabrikant van het deursysteem waarborgt, dat alle eisen welke voortvloeien uit de machinerichtlijn worden nageleefd, en tevens een desbetreffende EG-conformiteitsverklaring afgeeft.</p> <p>De specifieke technische documentatie is samengesteld en verkrijgbaar bij de manager Productcompliance: product.compliance@dorma.com. Deze worden desgewenst langs elektronische weg ter beschikking gesteld aan de desbetreffende nationale instanties.</p>	<p>no EF Monteringserklæring</p> <p>Produsenten DORMA GmbH + Co. KG DORMA Platz 1 58256 Ennepetal</p> <p>erklærer med dette at den ufullstendige maskinen CS 80 MAGNEO</p> <p>opfyller følgende grunnleggende krav i henhold til maskindirektiv (2006/42/EF) – tillegg I i artikkelen: 1.1.3, 1.1.5, 1.2.1, 1.2.3, 1.2.5, 1.2.6, 1.3.2, 1.3.3, 1.3.4, 1.3.8.1, 1.3.9, 1.5.1, 1.5.2, 1.5.4 - 1.5.10, 1.5.16, 1.6.1, 1.6.2, 1.6.3, 1.6.4, 1.7.1, 1.7.1.1, 1.7.3, 1.7.4</p> <p>Den ufullstendige maskinen oppfyller videre alle relevante bestemmelser i direktivene 2006/95/EF og 2004/108/EF.</p> <p>Maskinen kan i henhold til maskindirektivet monteres og brukes i automatiske døranslegg når produsenten av anlegget har sikret at alle krav i maskindirektivet er oppfylt, og at en EF-samsvarserklæring er utstedt.</p> <p>Teknisk dokumentasjon er utarbeidet. Denne kan fås hos Manager Productcompliance:product.compliance@dorma.com. Dokumentasjonen formidles nasjonale instanser elektronisk på begrunnet forespørsel.</p>
---	---

<p>pl Deklaracja dotycząca zabudowy, wystawiona zgodnie z wymaganiami WE</p> <p>Producent DORMA GmbH + Co. KG DORMA Platz 1 58256 Ennepetal</p> <p>deklaruje niniejszym, że niekompletna maszyna: CS 80 MAGNEO</p> <p>odpowiada poniższym podstawowym wymaganiom dyrektywy dla maszyn (2006/42/WE) – załącznik I, artykuł: 1.1.3, 1.1.5, 1.2.1, 1.2.3, 1.2.5, 1.2.6, 1.3.2, 1.3.3, 1.3.4, 1.3.8.1, 1.3.9, 1.5.1, 1.5.2, 1.5.4 - 1.5.10, 1.5.16, 1.6.1, 1.6.2, 1.6.3, 1.6.4, 1.7.1, 1.7.1.1, 1.7.3, 1.7.4</p> <p>Niekompletna maszyna odpowiada dodatkovo wszystkim istotnym postanowieniom dyrektyw 2006/95/WE i 2004/108/WE.</p> <p>Może być zabudowywana i eksploatowana w automatycznych instalacjach drzwi zgodnie z dyrektywą dla maszyn w sytuacji, gdy producent instalacji zapewni, iż wszystkie wymagania wynikające z dyrektywy dla maszyn są spełnione oraz wystawi deklarację zgodności WE.</p> <p>Specjalna dokumentacja techniczna została sporządzona i można ją uzyskać od Manager Productcompliance: product.compliance@dorma.com. Dokumentacja zostanie przekazana w formie elektronicznej krajowym organom w razie uzasadnionej potrzeby.</p>	<p>pt Declaração CE de Incorporação</p> <p>O Fabricante DORMA GmbH + Co. KG DORMA Platz 1 58256 Ennepetal</p> <p>declara pela presente que a máquina incompleta CS 80 MAGNEO</p> <p>cumpre as condições básicas da Directiva Máquina (2006/42/CE) – Anexo I, Artigo: 1.1.3, 1.1.5, 1.2.1, 1.2.3, 1.2.5, 1.2.6, 1.3.2, 1.3.3, 1.3.4, 1.3.8.1, 1.3.9, 1.5.1, 1.5.2, 1.5.4 - 1.5.10, 1.5.16, 1.6.1, 1.6.2, 1.6.3, 1.6.4, 1.7.1, 1.7.1.1, 1.7.3, 1.7.4</p> <p>A máquina incompleta cumpre ainda todas as determinações importantes das Directivas 2006/95/CE e 2004/108/CE.</p> <p>Pod ser incorporada e funcionar em instalações de portas automáticas segundo a Directiva Máquina se o Fabricante da instalação garantir que são cumpridas todas as condições resultantes da Directiva Máquina e que também passa uma Declaração CE de Conformidade.</p> <p>A documentação técnica especial foi elaborada e encontra-se disponível em Manager Productcompliance: product.compliance@dorma.com. Mediante pedido fundamentado, será enviada por processo electrónico a entidades nacionais.</p>
---	--

CS 80 MAGNEO

EC Declaration of incorporation

<p>es Declaración de incorporación CE</p> <p>El fabricante DORMA GmbH + Co. KG DORMA Platz 1 58256 Ennepetal</p> <p>declara por la presente que la quasi-máquina CS 80 MAGNEO</p> <p>cumple las siguientes exigencias fundamentales de la Directiva de máquinas (2006/42/EG) – Anexo I, artículo: 1.1.3, 1.1.5, 1.2.1, 1.2.3, 1.2.5, 1.2.6, 1.3.2, 1.3.3, 1.3.4, 1.3.8.1, 1.3.9, 1.5.1, 1.5.2, 1.5.4 - 1.5.10, 1.5.16, 1.6.1, 1.6.2, 1.6.3, 1.6.4, 1.7.1, 1.7.1.1, 1.7.3, 1.7.4</p> <p>La quasi-máquina cumple además todas disposiciones de las directivas 2006/95/EG y 2004/108/EG.</p> <p>Esta puede ser incorporada y hacerse funcionar en instalaciones de puertas automáticas, según la Directiva de máquinas, cuando el fabricante del sistema asegura que se han cumplido todas las exigencias que se derivan de la Directiva de máquinas y expida una declaración de conformidad CE.</p> <p>La documentación técnica especial ha sido elaborada y se puede obtener mediante el Manager Productcompliance: product.compliance@dorma.com. Tras una petición fundamentada, esta documentación se transmitirá electrónicamente a puntos nacionales.</p>	<p>et EÜ ühendamisdeklaratsioon</p> <p>Tootja DORMA GmbH + Co. KG DORMA Platz 1 58256 Ennepetal</p> <p>kinnitab käesolevaga, et osaliselt komplekteeritud seade CS 80 MAGNEO</p> <p>vastab masinadirektiivi (2006/42/EÜ) järgmistele esitatud nõuetele – I lisa, artikkel: 1.1.3, 1.1.5, 1.2.1, 1.2.3, 1.2.5, 1.2.6, 1.3.2, 1.3.3, 1.3.4, 1.3.8.1, 1.3.9, 1.5.1, 1.5.2, 1.5.4 - 1.5.10, 1.5.16, 1.6.1, 1.6.2, 1.6.3, 1.6.4, 1.7.1, 1.7.1.1, 1.7.3, 1.7.4</p> <p>Osaliselt komplekteeritud seade vastab lisaks kõikidele direktiivide 2006/95/EÜ ja 2004/108/EÜ asjaomastele punktidele.</p> <p>Masinadirektiivi kohaselt on lubatud seda paigaldada automaatsesse üksusesse ja nendes kasutada, kui süsteemi tootja tagab, et kõikides masinadirektiivi nõuetest peetakse kinni ja kui ta väljastab EÜ vastavusdeklaratsiooni.</p> <p>Vastav tehniline dokumentatsioon on koostatud ja saadaval Manager Productcompliance'i kaudu: product.compliance@dorma.com. Põhjendatud taotluse korral edastatakse dokumentatsioon riigi ametiasutustele.</p>
---	--

<p>fi EU-asennusvakuutus</p> <p>Valmistaja DORMA GmbH + Co. KG DORMA Platz 1 D-58256 Ennepetal</p> <p>vakuuttaa, että puolivalmistet CS 80 MAGNEO</p> <p>täyttää seuraavat konedirektiivin (2006/42/EY) asettamat vaatimukset - liite I, artikla: 1.1.3, 1.1.5, 1.2.1, 1.2.3, 1.2.5, 1.2.6, 1.3.2, 1.3.3, 1.3.4, 1.3.8.1, 1.3.9, 1.5.1, 1.5.2, 1.5.4 - 1.5.10, 1.5.16, 1.6.1, 1.6.2, 1.6.3, 1.6.4, 1.7.1, 1.7.1.1, 1.7.3, 1.7.4</p> <p>Puolivalmistet täyttää lisäksi direktiivin 2006/95/EY ja 2004/108/EY kaikki tärkeät ehdot.</p> <p>Se voidaan asentaa ja sitä voidaan käyttää automaattisissa ovilaitteissa konedirektiivin mukaisesti, jos laiteen valmistaja vakuuttaa, että laite täyttää kaikki konedirektiivin asettamat vaatimukset sekä laitteesta laaditaan EU-vaatimustenmukaisuusvakuutus.</p> <p>Tuotteesta laaditut tekniset asiakirjat on saatavilla Manager Productcompliance -sivustolla osoitteesta: product.compliance@dorma.com Ne lähetetään sähköisesti valituille viranomaisille perustellusta pyynnöstä.</p>	<p>fr Déclaration d'incorporation CE</p> <p>Le fabricant DORMA GmbH + Co. KG DORMA Platz 1 58256 Ennepetal</p> <p>déclare par la suivante que la machine, sans être complète, CS 80 MAGNEO</p> <p>répond aux exigences élémentaires suivantes de la directive machine (2006/42/CE) – Annexe I, article : 1.1.3, 1.1.5, 1.2.1, 1.2.3, 1.2.5, 1.2.6, 1.3.2, 1.3.3, 1.3.4, 1.3.8.1, 1.3.9, 1.5.1, 1.5.2, 1.5.4 - 1.5.10, 1.5.16, 1.6.1, 1.6.2, 1.6.3, 1.6.4, 1.7.1, 1.7.1.1, 1.7.3, 1.7.4</p> <p>La machine, sans être complète, répond en outre à tous les règlements des directives 2006/95/CE et 2004/108/CE.</p> <p>Elle peut être intégrée et mise en marche dans des installations de portes automatiques d'après la directive machine dans la mesure où le fabricant de l'installation garantit que toutes les exigences résultant de la directive machine sont respectées, et qu'il présente une déclaration de conformité CE.</p> <p>Les documents techniques spéciaux ont été établis par le Manager conformité produit et sont disponibles à l'adresse suivante product.compliance@dorma.com Ils peuvent transmis au niveau national sur demande justifiée par voie électronique.</p>
---	--

<p>hu EK Beépítési nyilatkozat</p> <p>A gyártó DORMA GmbH + Co. KG DORMA Platz 1 58256 Ennepetal</p> <p>ezennel kijelenti, hogy a részben kész gép CS 80 MAGNEO</p> <p>a gép irányelv (2006/42/EK) alábbi alapvető követelményeinek megfelelő – I. melléklet, ... cikk 1.1.3, 1.1.5, 1.2.1, 1.2.3, 1.2.5, 1.2.6, 1.3.2, 1.3.3, 1.3.4, 1.3.8.1, 1.3.9, 1.5.1, 1.5.2, 1.5.4 - 1.5.10, 1.5.16, 1.6.1, 1.6.2, 1.6.3, 1.6.4, 1.7.1, 1.7.1.1, 1.7.3, 1.7.4</p> <p>A részben kész gép ezen túlmenően a 2006/95/EK és 2004/108/EK irányelv valamennyi vonatkozó rendelkezésének megfelelő.</p> <p>A gép irányelvnek megfelelően automatikus ajtó berendezésekkbe abban az esetben építhető be és üzemeltethető, ha a berendezés gyártója biztosítja, hogy a gép irányelvből eredő valamennyi irányelvet betartja, valamint EK megfelelősegi nyilatkozatot állít ki.</p> <p>A speciális műszaki dokumentumokat elkészítettük, és ezek a termékmegfelelőségi vezetőtől kaphatók meg: product.compliance@dorma.com Nemzeti hatóságok részére indokolt kérelemre elektronikusan továbbítjuk.</p>	<p>it Dichiarazione di incorporazione C</p> <p>Il produttore DORMA GmbH + Co. KG DORMA Platz 1 58256 Ennepetal</p> <p>dichiara con la presente che la macchina incompleta CS 80 MAGNEO</p> <p>soddisfa i requisiti fondamentali della direttiva sulle macchine (2006/42/CE) - Allegato I, Articoli: 1.1.3, 1.1.5, 1.2.1, 1.2.3, 1.2.5, 1.2.6, 1.3.2, 1.3.3, 1.3.4, 1.3.8.1, 1.3.9, 1.5.1, 1.5.2, 1.5.4 - 1.5.10, 1.5.16, 1.6.1, 1.6.2, 1.6.3, 1.6.4, 1.7.1, 1.7.1.1, 1.7.3, 1.7.4</p> <p>La macchina incompleta soddisfa inoltre tutte le norme rilevanti delle direttive 2006/95/CE e 2004/108/CE.</p> <p>Può essere integrata ed azionata negli impianti per porte automatiche come previsto dalle direttive sulle macchine, se il produttore dell'impianto garantisce che tutti i requisiti che derivano dalla direttiva sulle macchine vengono rispettati e produce in merito una dichiarazione di conformità CE.</p> <p>La documentazione tecnica specifica è stata preparata ed è disponibile presso la product compliance facendone richiesta all'indirizzo: product.compliance@dorma.com. Viene trasmessa elettronicamente alle autorità competenti su richiesta motivata.</p>
---	---

CS 80 MAGNEO

EC Declaration of conformity

de EG-KONFORMITÄTSERKLÄRUNG	en EC DECLARATION OF CONFORMITY
Der Unterzeichner, der den nachstehenden Hersteller vertritt DORMA GmbH + Co. KG DORMA Platz 1 58256 Ennepetal	The undersigned representing the following manufacturer DORMA GmbH + Co. KG DORMA Platz 1 58256 Ennepetal Germany
erklärt hiermit, dass das Produkt CS 80 MAGNEO	declares that the product CS 80 MAGNEO
in Übereinstimmung ist mit den Bestimmungen der in der Anlage aufgeführten EG-Richtlinie(n) und dass die Normen und/oder technischen Spezifikationen zur Anwendung gelangt sind, die in der Anlage in Bezug genommen werden.	complies with the provisions of the EC Directive(s) specified in the Appendix and that the standards and/or technical specifications referred to in the Appendix were applied.

bg ЕС - ДЕКЛАРАЦИЯ ЗА СЪОТВЕТСТВИЕ	cs ES PROHLÁŠENÍ O SHODĚ
Долуподписаният, който представлява производителя DORMA GmbH + Co. KG DORMA Platz 1 58256 Ennepetal	Níže podepsaný, který zastupuje následujícího výrobce DORMA GmbH + Co. KG DORMA Platz 1 58256 Ennepetal
декларира с настоящето, че продуктът CS 80 MAGNEO	tímto prohlašuje, že výrobek CS 80 MAGNEO
е в съответствие с разпоредбите на посочените в съоръжението ЕС-директива(директиви) и че стандартите и/или техническите спецификации за приложението, споменати в съответното съоръжение, са изпълнени.	je v shodě s ustanoveními směrníc uvedených v příloze a že byly použity normy a/nebo technické údaje, na které se odkazuje v příloze.

da EF OVERENSSTEMMELSESERKLÆRING	el ΕΕ - ΔΗΛΩΣΗ ΣΥΜΜΟΡΦΩΣΗΣ
Undertegnede, der repræsenterer følgende producent DORMA GmbH + Co. KG DORMA Platz 1 58256 D- Ennepetal	Ο κάτωθι υπογεγραμμένος, ο οποίος εκπροσωπεί τον ακόλουθο κατασκευαστή DORMA GmbH + Co. KG DORMA Platz 1 58256 Ennepetal
erklærer hermed, at produktet CS 80 MAGNEO	δηλώνει ότι το προϊόν CS 80 MAGNEO
er i overensstemmelse med bestemmelserne i EU-direktiv(erne), der er anført i tillægget, og at de nævnte standarder og/eller de tekniske specifikationer i tillægget er blevet anvendt.	ανταποκρίνεται στους κανονισμούς των Ευρωπαϊκών Οδηγιών που αναφέρονται στο παράρτημα και ότι πληρούνται οι κανόνες και/ή οι τεχνικές προδιαγραφές, για τις οποίες γίνεται μνεία στο παράρτημα.

es DECLARACIÓN DE CONFORMIDAD CE	et EU VASTAVUSDEKLARATSIOON
El contratante en representación del fabricante a continuación DORMA GmbH + Co. KG DORMA Platz 1 58256 Ennepetal	Allakirjutajan, kes esindab alljärgnevat tootjat DORMA GmbH + Co. KG DORMA Platz 1 58256 Ennepetal
declara por la presente que el producto CS 80 MAGNEO	kinnitab käesolevaga, et toode CS 80 MAGNEO
está acorde con las disposiciones de la(s) directiva(s) CE indicada(s) en el anexo y que las normas y/o especificaciones técnicas son aplicables al uso al que se hace referencia en el anexo.	on vastavuses lisas kirjasoleva(te) EU-direktiivi(de) määrustega ja et lisas maintud norme ja/või tehnilisi andmeid on tootmisel kasutatud.

fi EU-VAATIMUSTENMUKAISUUSVAKUUTUS	fr DECLARATION CE DE CONFORMITE
Allekirjoittanut, joka edustaa alla mainittua valmistajaa DORMA GmbH + Co. KG DORMA Platz 1 D-58256 Ennepetal	Le signataire, qui représente le fournisseur suivant DORMA GmbH + Co. KG DORMA Platz 1 58256 Ennepetal
vakuuttaa, että tuote CS 80 MAGNEO	déclare par la suivante que le produit CS 80 MAGNEO
täyttää laitteessa esitettyjen EU-direktiivien asettamat ehdot ja että vaadittavat standardit ja/tai tekniset määritykset täytetään, jotka laiteen käytössä tulee ottaa huomioon.	est conforme aux règlements de l'installation décrite par la ou les directive(s) CE, et que les normes et/ou les spécifications techniques permettent l'utilisation dont il est fait état dans l'installation.

hu EK MEGFELELŐSÉGI NYILATKOZAT	it DICHIARAZIONE CE DI CONFORMITA'
Alulírott, aki a lenti gyártót képviseli DORMA GmbH + Co. KG DORMA Platz 1 58256 Ennepetal	Il sottoscritto, rappresentante del produttore qui riportato DORMA GmbH + Co. KG DORMA Platz 1 58256 Ennepetal
ezenmel kijelenti, hogy az alábbi termék CS 80 MAGNEO	dichiara con la presente che il prodotto CS 80 MAGNEO
a mellékletben feltüntetett EK-irányelv(ek) rendelkezéseinek megfelelően, és a mellékletben hivatkozott szabványok és/vagy műszaki specifikációk alkalmazására kerültek.	è conforme alle prescrizioni della/e direttiva/e CE riportate in allegato e che le norme e/o specifiche tecniche in esse contenute trovano applicazione per l'impiego per il quale si fa riferimento per l'impianto.

CS 80 MAGNEO

EC Declaration of conformity

lt EB ATITIKTIES DEKLARACIJA Pasirašiusysis, kuris atslovauja toliau nurodytam gamintojui: bedrovėi „DORMA GmbH + Co. KG“ DORMA Platz 1 58256 Ennepetal pareiškia, kad gaminyms CS 80 MAGNEO atitinka priede pateikiamos EB direktyvos (-ų) nuostatas ir kad jam taikomos priede nurodytos normos ir (arba) techninės specifikacijos.	lv EK-ATBILSTĪBAS DEKLARĀCIJA Šī dokumenta parakstītājs, kurš pārstāv zemāk minēto ražotāju: DORMA GmbH + Co. KG DORMA Platz 1 58256 Ennepetal apliecina, ka izstrādājums CS 80 MAGNEO atbilst pielikumā minētajiem EK direktīvu norādījumiem un, ka pielikumā norādītās normas un/ vai tehniskās specifikācijas ir ievērotas.
--	---

nl EG-VERKLARING VAN OVEREENSTEMMING Ondergetekende, optredend namens hiernagenoemd fabrikant DORMA GmbH + Co. KG DORMA Platz 1 58256 Ennepetal verklaart bij dezen, dat het product CS 80 MAGNEO voldoet aan de betaligen van de in de bijlage vermelde EG-richtlijn(en) en dat de normen en/of technische specificaties zijn toegepast, naar welke in de bijlage wordt gerefereerd.	no EF SAMSVARSKLÆRING Undertegnere, som representerer den nedenforstående produsenten DORMA GmbH + Co. KG DORMA Platz 1 58256 Ennepetal erklærer med dette at produktet CS 80 MAGNEO er i overensstemmelse med de vedlagte bestemmelser for EF-direktivet (-direktivene) i vedlegget, og at de normene og/eller tekniske spesifikasjonene er lagt til grunn som det henvises til i vedlegget.
--	--

pl DEKLARACJA ZGODNOŚCI WE Poniżej podpisany przedstawiciel, który reprezentuje producenta DORMA GmbH + Co. KG DORMA Platz 1 58256 Ennepetal deklaruje niniejszym, że produkt CS 80 MAGNEO jest zgodny z postanowieniami dyrektywy (dyrektyw) WE podanej (podanych) w załączniku i że zastosowano normy i/lub specyfikacje techniczne, do których odniesiono się w załączniku.	pt DECLARAÇÃO CE DE CONFORMIDADE O Signatário, que representa o fabricante abaixo referido, DORMA GmbH + Co. KG DORMA Platz 1 58256 Ennepetal declara pela presente que o produto CS 80 MAGNEO cumpre as condições da(s) Directiva(s) CE referida(s) no Anexo e que foram aplicadas as normas e/ou especificações técnicas as quais é feita referência no Anexo.
---	---

ro DECLARAȚIE DE CONFORMITATE CE Subsemnatul, care reprezintă producătorul de mai jos DORMA GmbH + Co. KG DORMA Platz 1 58256 Ennepetal declară prin prezenta că produsul CS 80 MAGNEO îndeplinește prevederile directivei (directivelor) menționate în anexă și că au fost aplicate normele și/sau specificatiile tehnice la care se face referire în anexă.	sk ES VYHLÁSENIE O ZHODE Podpisujúci, ktorý zastupuje nasledovného výrobcu DORMA GmbH + Co. KG DORMA Platz 1 58256 Ennepetal týmto vyhlasuje, že výrobok CS 80 MAGNEO je v zhode s ustanoveniami smerníc uvedených v prílohe a že boli použité normy a/alebo technické údaje, na ktoré sa odkazuje v prílohe.
--	--

sl ES - IZJAVA O SKLADNOSTI Podpisani, ki zastopa sledečega proizvajalca DORMA GmbH + Co. KG DORMA Platz 1 58256 Ennepetal s tem izjavlja, da je proizvod CS 80 MAGNEO v skladu z določili v prilogi navedene/ih smernic/e EU ter da so norme in/ali tehnične specifikacije v rabi tako, kot se nanje navezuje v prilogi.	sv EG-FÖRSÄKRAN OM ÖVERENSSTÄMMELSE Undertecknad firma som representerar nedanstående tillverkare DORMA GmbH + Co. KG DORMA Platz 1 58256 Ennepetal förklarar härmed att produkten CS 80 MAGNEO står i överensstämmelse med de bestämmelser i EG-direktiv(-direktiv) som anges i bilagan och att de normer och/eller de tekniska specifikationer till vilka det hänvisas i bilagan har använts.
--	--

CS 80 MAGNEO

EC Declaration of conformity

Anlage / Attachment / Annexe: 18.10.2011, SU

Richtlinie / Directive

X	2006/95/EG	Niederspannungsrichtlinie / Low Voltage Directive / Directive basse tension
	89/106/EWG/EEC/CEE	Bauprodukte / Building products / Produits de construction
X	2004/108/EG	Elektromagnetische Verträglichkeit / Electromagnetic compatibility / Compatibilité électromagnétique
	2006/42/EG	Maschinenrichtlinie / Machinery directive / Directive machine Die technischen Unterlagen sind erhältlich beim Manager Productcompliance unter: / The technical documentation is available from the Product Compliance Manager at: / Les documents techniques sont disponibles auprès du Manager conformité produit à l'adresse suivante: product.compliance@orms.com

Harmonisierte europäische Norm, nationale Regel / Harmonized European standard, national rule / Norme européenne harmonisée, disposition nationale:

X	EN 13849-1	X	EN 61000 - 3 - 2	EN 179
	EN ISO 12100	X	EN 61000 - 3 - 3	EN 1125
X	EN ISO 12100-1		EN 55014	EN 1154
X	EN ISO 14121-1	X	EN 55022	EN 1155
X	BGR 232	X	EN 60335 - 1	EN 1158
X	EN 61000 - 6 - 2	X	EN 60950 - 1	EN 1935
X	EN 61000 - 6 - 3			EN 12209

Andere in Bezug genommene Dokumente oder Informationen, die von den anzuwendenden EG-Richtlinien, Normen und technischen Spezifikationen gefordert werden. / Other references or information required by the applicable EC directive(s), standards and technical specification. / Autres références ou information demandées par la (les) directive(s) CE d'application et que les normes et spécifications techniques:

--



CS 80 MAGNEO



CS 80 MAGNEO



CS 80 MAGNEO



DORMA GmbH + Co. KG
DORMA Platz 1
58256 ENNEPETAL
DEUTSCHLAND
Tel. +49 2333 793-0
Fax +49 2333 793-4950
www.dorma.de