



Transom concealed
door closer

DORMA RTS 85

Disappears into the frame

Ideal for shopfitting. For both double and single action doors. Elegant, versatile, practical and quality assured. The DORMA RTS 85 offers a solution for installations where door control must be provided without disturbing the aesthetic appearance of the door. The majority of preparation can be accomplished by the fabricator prior to installation,

leaving minimal on-site work. A complete line of accessories is available to accommodate virtually any door and frame configuration.

Certified to ISO 9001.

Plus points

For the trade

- Just **one** body for all types of fixing.
- Low inventory costs and minimal stocking requirement thanks to unit packs for closer body and accessories.

For the fabricator

- Can be used for double action doors, or left and right hand single action doors.
- Installation and setting adjustment possible before fixing the doorset on site.
- No floor preparation necessary.
- Positive "zero" position for double action doors – easy to adjust.
- Comprehensive range of accessories.

For the architect/specifier

- Aesthetically impressive solution – especially with toughened glass doors.
- Ideal for shopfitting applications.

For the user

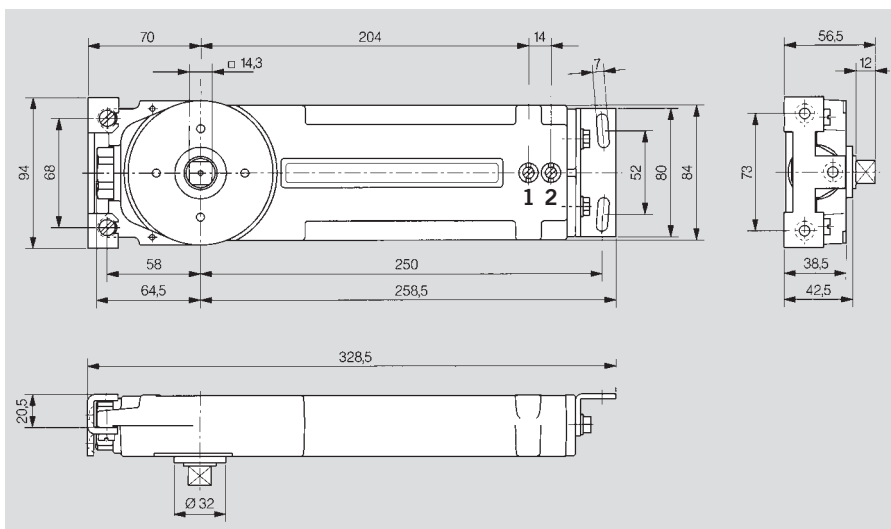
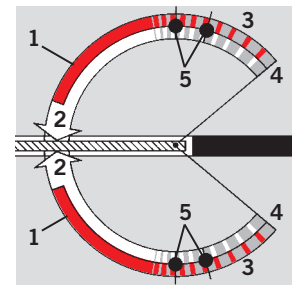
- No cluttering of door or floor appearance.
- Backcheck to prevent door contact with the frame.
- Smooth closing with adjustable closing speed.

Technical Data		RTS 85		
		EN 3	EN 4	EN 5
Closing force				
Internal doors	up to 950 mm	●	–	–
and external doors ¹⁾	1100 mm	–	●	–
	1250 mm	–	–	●
Same model for double action doors, RH (ISO 5) and LH (ISO 6)		●	●	●
Closing speed variable by valve adjustment		●	●	●
Final closing speed variable by valve adjustment		●	●	●
Backcheck, progressive, mechanical		●	●	●
Backstop, mechanical		●	●	●
Hold-open	105°	○	○	○
	90°	○	○	○
Extended spindle	5 mm	○	○	○
	10 mm	○	○	○
Reduced pivot point for tempered glass doors (65 mm)		○	○	○
Weight in kg		4.7	4.8	4.9
Dimensions in mm				
	Length	323	323	323
	Width	90	90	90
	Height	38	38	38
Door closer tested to EN 1154		●	●	●

● Yes – No ○ Option

¹⁾ Max Door weight 110 kg

For applications involving particularly heavy or wide doors, and doors which have to close against wind resistance, the next highest door closer size should be selected.



Standard and optional functions

- 1 Fully controlled closing with adjustable speed
- 2 Adjustable final closing
- 3 Progressive mechanical backcheck
- 4 Mechanical backstop**
- 5 Hold-open points – depending on model (optional) 105° or 90°

** Door opening angle max. 130° on both sides; in the case of heavy doors which can be opened further, door stops must be used. In the case of single action doors, the opening angle may be reduced depending on the door design.

Accessories for double action and centre pivoted single action doors (70 mm pivot point)
Side-load installation

Side-load installation is achieved by offering the door in the closed position, onto the floor pivot. The closer arm, fitted in the upper door rail, is connected to the spindle and secured with a clamping piece.

1 Closer arm with arm channel

Art.-No. 8530
for top rails with min. 15 mm channel depth and 38 mm width.

2 Floor pivot set, total height 27 mm

Art.-No. 8550
for bottom rails with channel depth of 18–20 mm. Floor portion of pivot is fitted directly to floor.

Floor pivot set, total height 57 mm

Art.-No. 8551
for bottom rails with channel depth of 18–50 mm. (Floor portion may be shortened to suit bottom rail.) Floor portion of pivot is fitted directly to floor.

3 Threshold pivot set

Art.-No. 8554
for bottom rails with channel depth of 25 mm. Floor clearance: 5 mm. Floor portion is fitted directly to threshold. (Upper portion same as 2).

Threshold pivot set

Art.-No. 8556
for bottom rails with channel depth of 40 mm. Floor clearance: 5 mm. Floor portion is fitted directly to threshold. (Upper portion same as 2).

End-load installation

End-load installation is achieved by offering the door, in the open position, onto the floor pivot and spindle simultaneously. The floor pivot locks automatically, connection to spindle is secured with a clamping piece.

1 Closer arm with arm channel

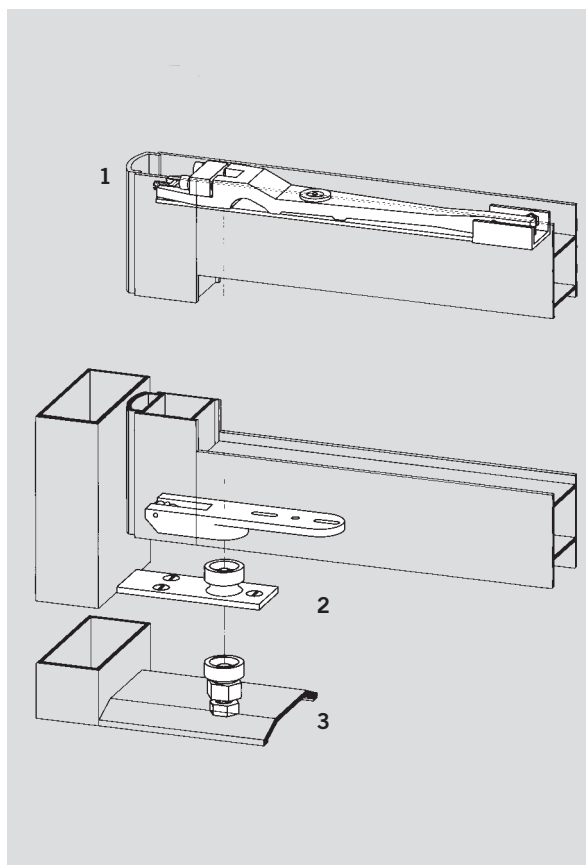
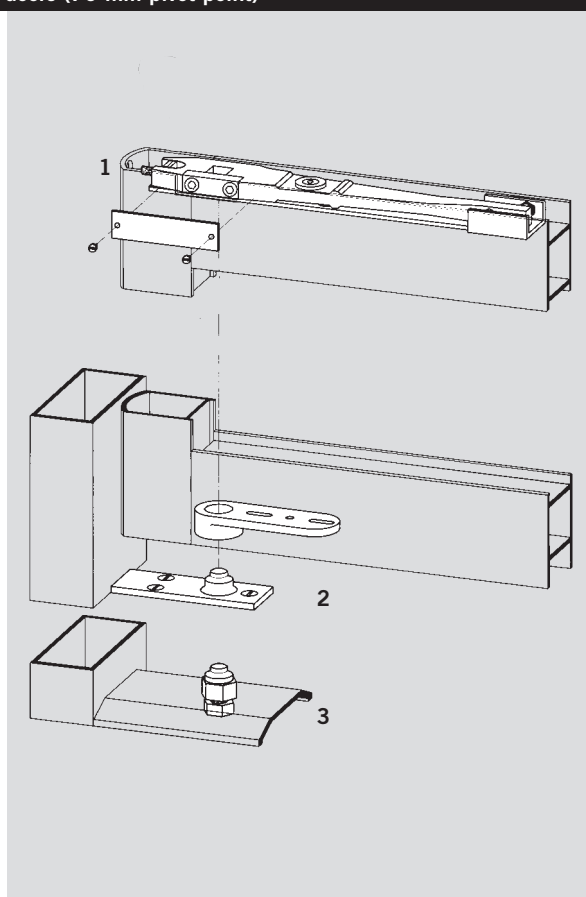
Art.-No. 8534
for top rails with min. 21 mm channel depth and 35 mm width.

2 Floor pivot set, total height 27 mm

Art.-No. 8552
for bottom rails with channel depth of 18–20 mm. Floor portion of pivot is fitted directly to floor.

3 Threshold pivot set

Art.-No. 8555
for bottom rails with channel depth of 25 mm. Floor clearance: 5 mm. Floor portion is fitted directly to threshold. (Upper portion same as 2).



Accessories for butt hung or offset pivoted single action doors

Single action doors hung on butt hinges or offset pivots can be connected to the closer with slide arm and channel assemblies. Please note that this application may reduce the maximum opening angle available on the door. Similarly, if a hold-open model has been selected, the hold-open point will be altered: eg instead of 105°, the position

will lie between 90° and 100°, depending on door thickness.

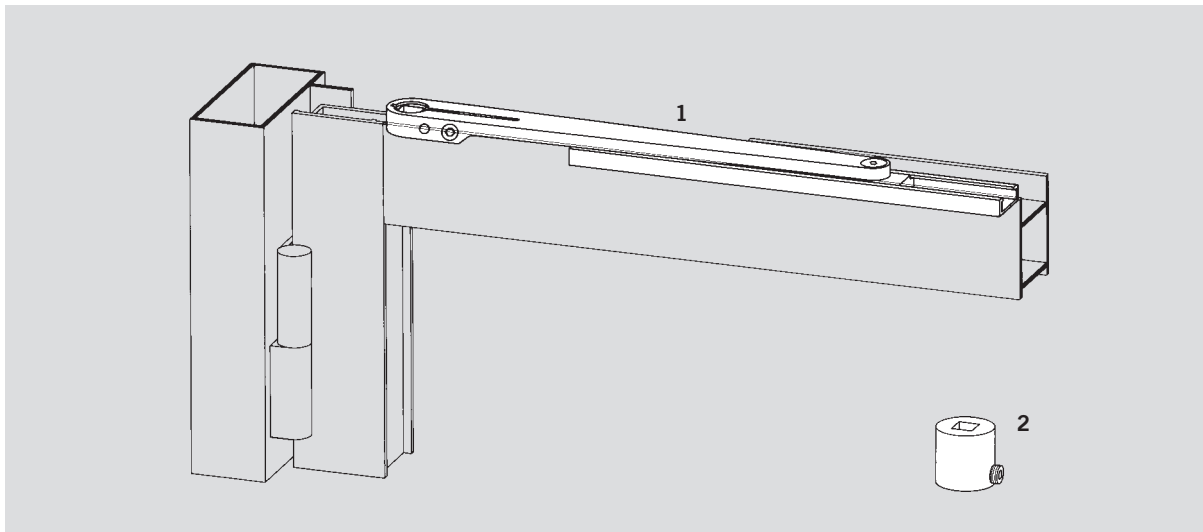
Note:

Maximum door opening with slide arm and channel assemblies –105°. Consult our Technical Service Department giving specific details for slide arm and channel assemblies. Drawings of door and frame

details must be submitted together with the pivot centre of the hinge.

1 Slide arm and channel
Art.-No. 8510

2 Weld-on extension
Art.-No. 8521
For steel doors, 40 mm long (can be shortened), 38 mm dia.



Accessories for tempered glass doors (65 mm pivot point)

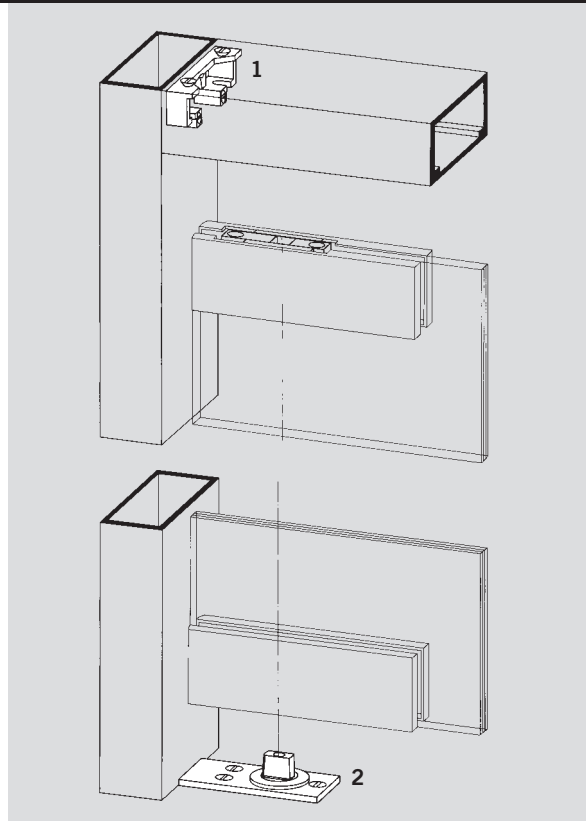
For tempered glass doors, the RTS 85 is used with a special fixing bracket, Art.-No. 8520 G, giving a 65 mm pivot point. The standard patch fittings can thus be used with appropriate inserts. (Patch fittings with insert available from DORMA-Glas range of products).

1 Fixing bracket

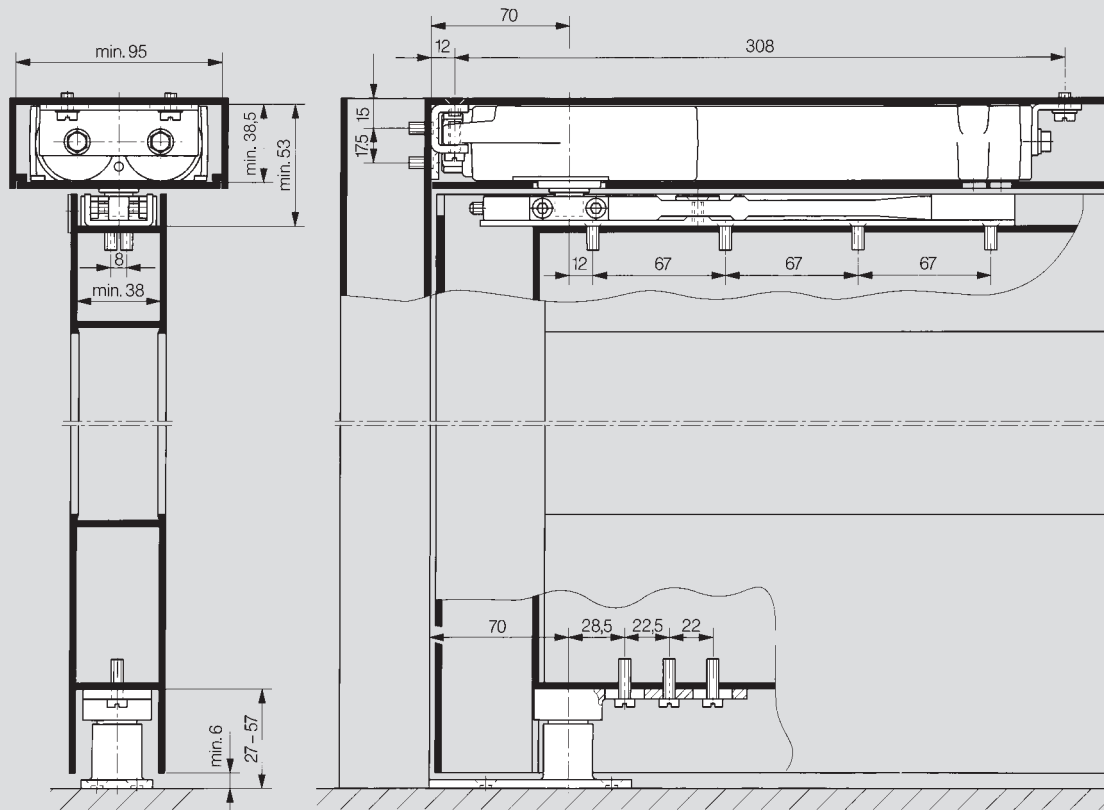
Art.-No. 8520 G
For fixing the DORMA RTS in the transom.

2 Floor pivot bearing with flat-tapered spindle

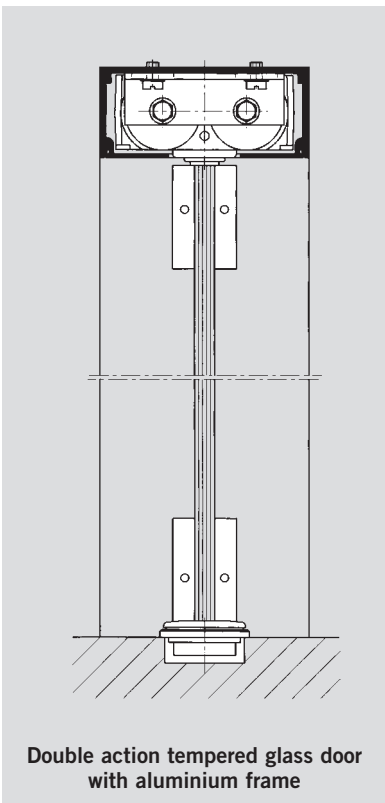
Art.-No. 8560 G
With sealed roller bearing assembly, rust-protected, for max. door weights of 110 kg. The floor pivot bearing combined with appropriate bottom straps from the accessories range for DORMA BTS floor springs is also suitable for aluminium, steel and timber doors.



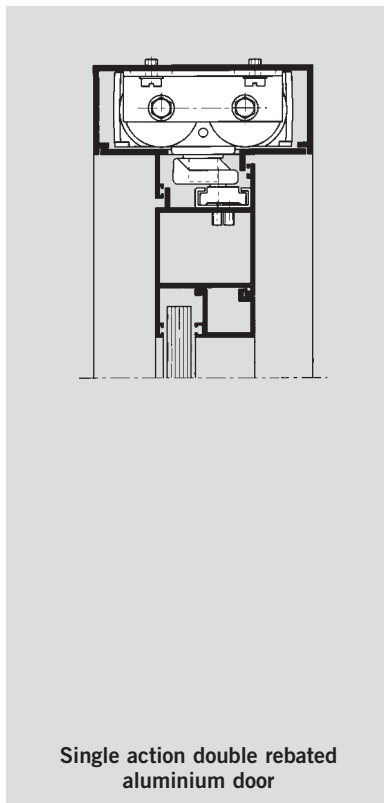
Typical applications



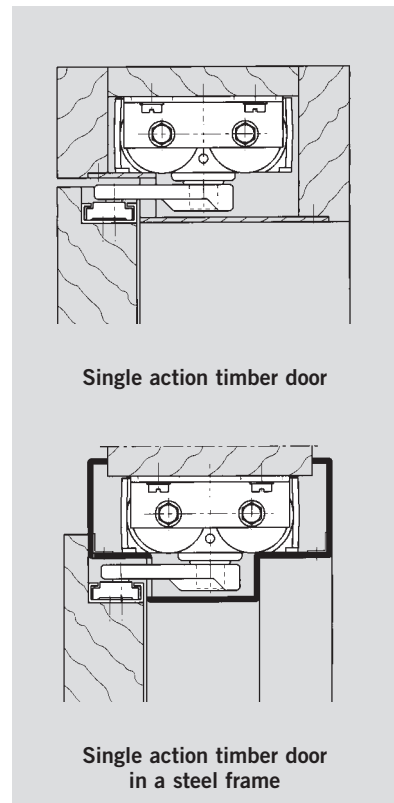
Double action aluminium door



Double action tempered glass door with aluminium frame



Single action double rebated aluminium door



Single action timber door

Single action timber door in a steel frame

Detailed installation drawings on a scale of 1:1 will be provided on request.

DORMA RTS 85 for double and single action doors

Door closer RTS 85	Standard model	Standard model with hold-open	Standard model with hold-open	with spindle insert 5 mm extended	with spindle insert 5 mm extended and at 105°	with spindle insert 5 mm extended and at 90°	with spindle insert 10 mm extended	with spindle insert 10 mm extended and at 90°
EN 3	85311101	85313101	85312101	85311102			85311103	85312103
EN 4	85321101	85323101	85322101	85321102	85323102	85322102	85321103	85322103
EN 5	85331101	85333101	85332101	85331102			85331103	85332103

Accessories	closer arm with bracket	Floor pivot set, height 27 mm	Floor pivot set, height 57 mm	Threshold pivot set 1"			Closer arm with channel for single action doors	weld-on extensions
Side-load installation	85210005	65310300	65410300	65510400			85210001	85110001
End-load installation	85210009	65320300						

DORMA RTS 85 for tempered glass doors

Door closer RTS 85 G	Standard model	Standard model with hold-open 90°	with spindle insert 5 mm extended
EN 3	85311301	85312301	85311302
EN 4	85321301	85322301	85321302

Accessories	Floor pivot set	Floor pivot set 5 mm extended	Floor pivot set 10 mm extended	Floor pivot set 15 mm extended	Floor pivot set stainless steel
zu RTS 85 G	65540000	85210025	85210026	85210027	85540059

Specification text

Transom concealed door closer with built-in cushion backcheck, adjustable closing speed and sweep range.

Size

EN 3 EN 4 EN 5

Model

- For both single and double action doors (pivot point 70 mm)
 For tempered glass doors (pivot point 65 mm)
 Non hold-open
 Hold-open at 105°

- Hold-open at 90°
 With spindle insert 5 mm extended
 With spindle insert 10 mm extended
 Closer arm
 Art.-No. _____

- Floor pivot set
 Art.-No. _____

Make: DORMA RTS 85

Division Door Control worldwide
www.dorma.com

Central Europe

DORMA GmbH + Co. KG
 Breckerfelder Str. 42-48
 D-58256 Ennepetal
 Tel. +49 2333 793-0
 Fax +49 2333 793-495

Australasia

DORMA Door Controls Pty. Ltd.
 46-52, Abbott Road
 Hallam/Victoria 3803
 Australia
 Tel. +61 3979 63555
 Fax +61 3979 63955

China/Hong Kong

DORMA Door Controls
 (Suzhou) Co. Ltd.
 No. 9, Hong Feng Road
 Suzhou Singapore Industrial Park
 Suzhou, 215021
 P.R. of China
 Tel. +86 512 67612481
 Fax +86 512 67614582

DORMA Door Controls Pte. Ltd.
 Room 701, Technology Plaza
 651 King's Road
 North Point
 Hong Kong
 Tel. +852 25034632
 Fax +852 28875370

Emerging Markets

DORMA GmbH + Co. KG
 Breckerfelder Str. 42-48
 D-58256 Ennepetal
 Tel. +49 2333 793-0
 Fax +49 2333 793-495

DORMA Door Controls (Pty.) Ltd.

Kings Court
 4A Mineral Crescent
 ZA-2000 Crown/Gauteng
 South Africa
 Tel. +27 11 8300280
 Fax +27 11 8300291

Far East

DORMA Far East Pte. Ltd.
 No. 31 Gul Lane
 Singapore 629425
 Tel. +65 6268 7633
 Fax +65 6265 7995

France

DORMA France S.A.S.
 Europarc
 42, rue Eugène Dupuis
 F-94046 Créteil
 Tel. +33 1 41942400
 Fax +33 1 41942401

Gulf

DORMA Gulf Door Controls FZE
 Jebel Ali Free Zone South
 Plot No. S 20135
 Road No. SW 301 G
 P.O. Box 17268
 Dubai - United Arab Emirates
 Tel. +971 4 8020400
 Fax +971 4 8869100/8869101

North America

DORMA Architectural Hardware
 DORMA Drive, Drawer AC
 Reamstown, PA 17567-0411
 Tel. +1 800 5238483
 Fax +1 800 2749724

Scarbalt

DORMA Sverige AB
 F O Petersons Gata 24
 SE-421 31 Västra Frölunda
 Tel. +46 31 289520
 Fax +46 31 281739

South America

DORMA Sistemas de Controles
 para Portas Ltda.
 Av. Piracema, 1400
 Centro Empresarial Tambore
 CEP 06400-933 Barueri/
 São Paulo, Brasil
 Tel. +55 11 46899280
 Fax +55 11 46899215

South-East Europe

DORMA AUSTRIA GmbH
 Pebering Strass 22
 A-5301 Eugendorf
 Tel. +43 6225 284880
 Fax +43 6225 28491

South Europe

DORMA Italiana S.r.l.
 Via. Canova 44/46
 I-20035 Lissone (MI)
 Tel. +39 039 244031
 Fax +39 039 24403310

DORMA Ibérica, S.A.
 Camino San Martin de la Vega, 4
 E-28500 Arganda del Rey
 (Madrid)
 Tel. +34 91 8757850
 Fax +34 91 8757881

UK/Ireland

DORMA UK Ltd.
 Wilbury Way
 Hitchin
 GB-Hertfordshire SG4 0AB
 Great Britain
 Tel. +44 1462 477600
 Fax +44 1462 477601



4 102 12 2612 96 110