

G-Ubivis XEA

# Exclude fire, without connecting to the mains power



We've made a good thing even better. G-Ubivis XEA, with its integrated smoke alarm, gives you new freedom in terms of fire protection, without compromising in terms of safety, with no structural measures or costly electrical installations required. The power supply is ensured thanks to the integrated battery set — it enables the system to function smoothly with no elaborate wiring.

**Fire protection has never been so easy:** the G-Ubivis XEA is designed as a hold-open system without the need for a mains connection and, like its mains-operated sister products from dormakaba, has been approved by the German Institute of Building Technology.

This is made possible by the patented hold-open technology, which is incredibly energy-saving. Additionally there is a special, energy-saving smoke alarm built in which, like mains-connected products, meets all the relevant standards for smoke alarms integrated into hold-open systems. The latest generation of Ubivis now offers you an even more powerful and technically sophisticated hold-open system for your individual fire protection door requirements. Thanks to firmware updates, we not only meet the standard requirements and provide reliable functionality, but we have also adapted the G-Ubivis XEA system even more closely to market needs. Find out more at: [www.dormakaba.com](http://www.dormakaba.com)

## Advantages overview

- More flexibility on the construction site
- Thanks to a firmware update, even more performance and can be used individually
- No 230 V wiring
- Does not rely on upstream works
- Cost- and time-saving installation by virtually any worker, only acceptance must be carried out by a qualified fitter.
- No interference with a building's structure
- The G-Ubivis XEA from dormakaba has been approved as a hold-open system by the German Institute of Building Technology in Berlin.
- Patented technology with proven quality
- Attractive XEA design

# Finishes and colour variants

G-Ubivis XEA is available in numerous colours and finishes, and can be seamlessly combined with other dormakaba products in the XEA design. Design freedom as flexible as you need it.



G-Ubivis XEA P 600 silver,  
compare with RAL 9006  
TS 98 XEA P 600 silver,  
compare with RAL 9006



G-Ubivis XEA P 190 black,  
compare with RAL 9005  
TS98 XEA P 190 black,  
compare with RAL 9005



G-Ubivis XEA P 100 white,  
compare with RAL 9016  
TS 98 XEA P 100 white,  
compare with RAL 9016



G-Ubivis XEA P 190 black,  
compare with RAL 9005  
TS 98 XEA P 600 silver,  
compare with RAL 9006

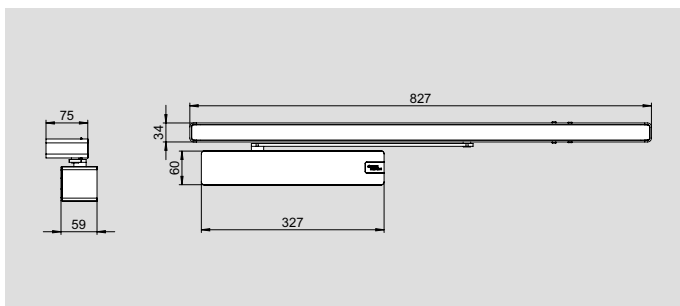


G-Ubivis XEA P 190 black,  
compare with RAL 9005  
TS 98 XEA P 100 white,  
compare with RAL 9016



G-Ubivis XEA P 750 gold  
TS 98 XEA P 750 gold

## Easy to install: saves effort, time and costs



The advantages are obvious: thanks to the integrated battery-operated power supply, no electrical installation work is necessary to put the system into operation. Any worker can install the device, but it can only be commissioned by a specialist from dormakaba trained in hold-open systems. Major interference with existing building structures, such as laying cables, can also be avoided.

This also eliminates the need for elaborate restoration work by other trades. Another advantage is that the G-Ubivis XEA can easily be retrofitted using compatible drilling patterns for all G-N slide channels.

### G-Ubivis XEA

<b>Degree of protection</b>	IP 30
<b>Protection class</b>	III
<b>Door type</b>	1-leaf
<b>Door width</b>	up to 1.250 mm
<b>Height</b>	34 mm
<b>Hold-open point</b>	approx 80°–140°
<b>Door opening angle</b>	max. 140°
<b>Trigger point</b>	adjustable
<b>Colours</b>	P 600 silver compare with RAL 9006; P 100 white compare with RAL 9016; P 210 pure white compare with RAL 9010; P 190 black, compare with RAL 9005; P 700 steel colours; P 750 gold and other special colours
<b>Energy supply</b>	Mains-independent thanks to battery

WN 05450951532, 09/18, D, 3, JP/LD, 09/18 Subject to technical changes without notice Date 03/2024.

**Any questions? We would be happy to advise you.**

dormakaba International Holding AG | Hofwisenstrasse 24 | CH-8153 Rümlang | info@dormakaba.com | www.dormakaba.com