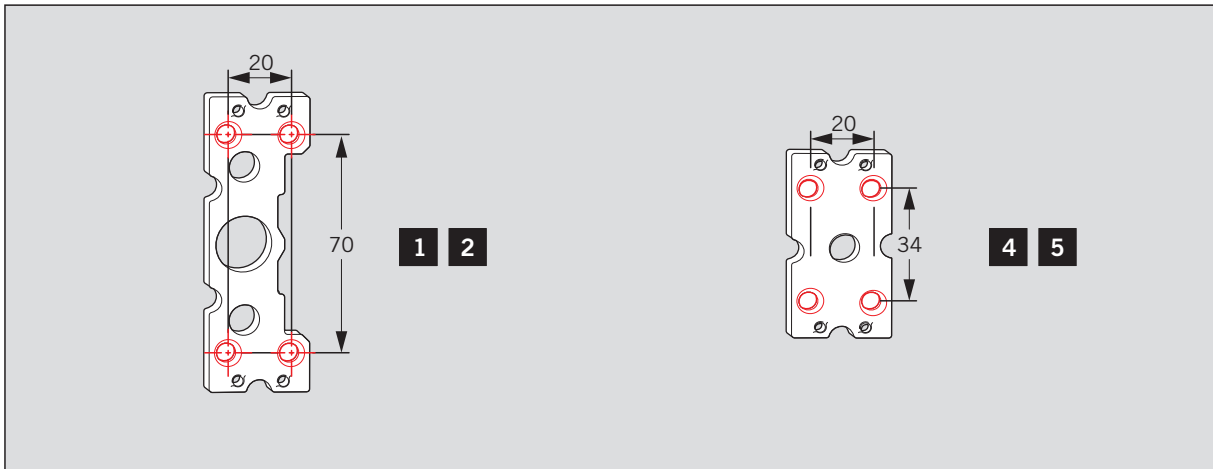
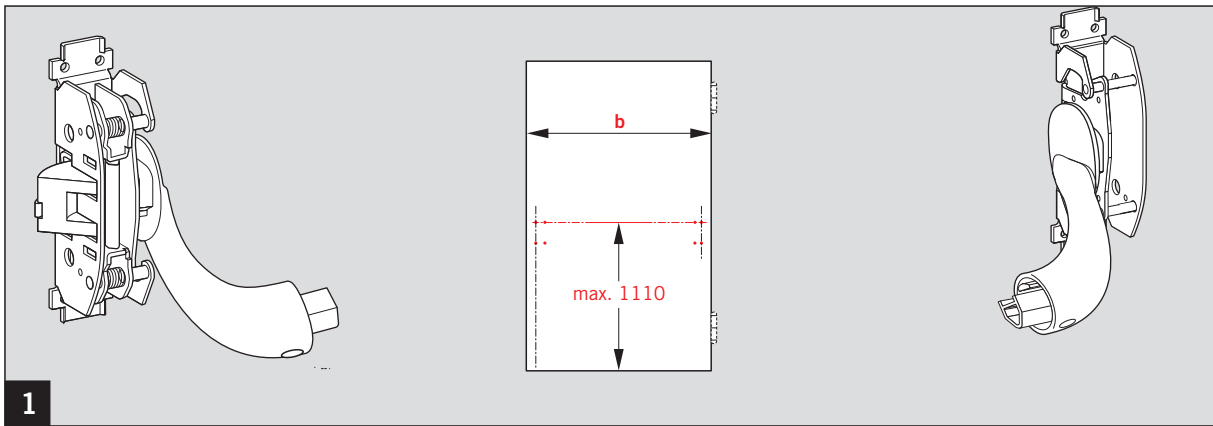


| | | | |
|----------------------------|----------------------------|---------------------|----|
| | DORMA GmbH + Co. KG | | 10 |
| | DORMA Platz 1 | | |
| | 58 256 Ennepetal/Germany | | |
| | 1121 - CPD-AAA029 | 3 7 6 A 1 4 2 2 A A | |
| | EN 1125:2008 | 3 7 6 B 1 4 2 2 A A | |
| Dangerous substances: None | | | |

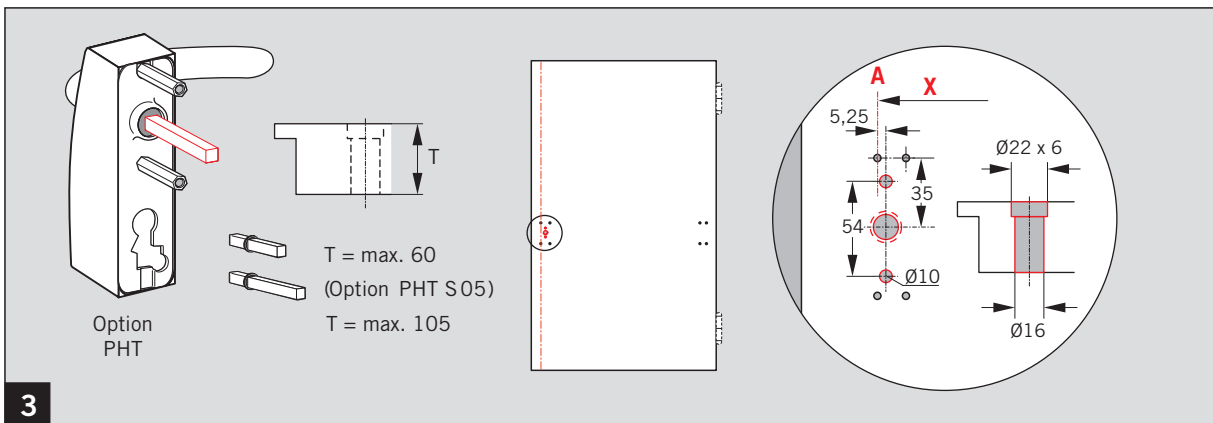
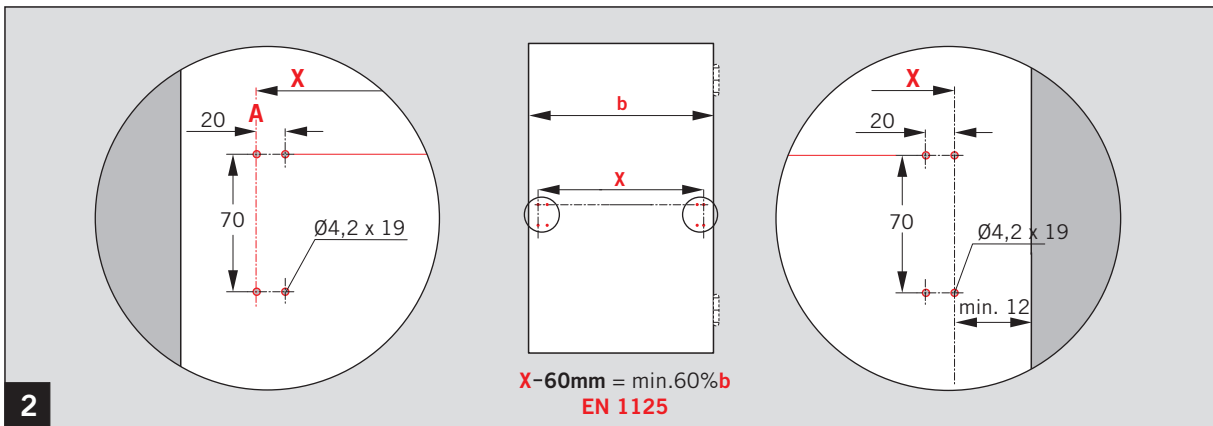
WN 057326-45532, 02/20



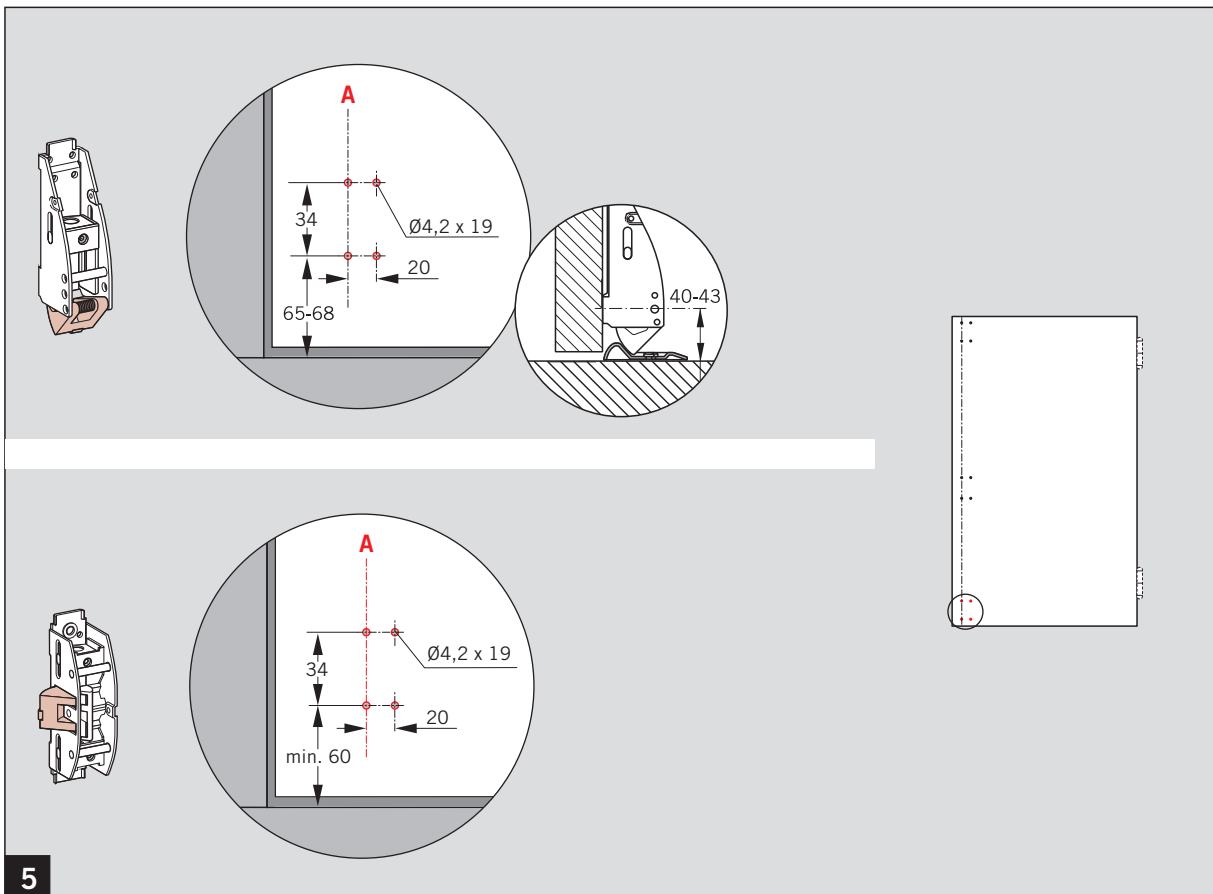
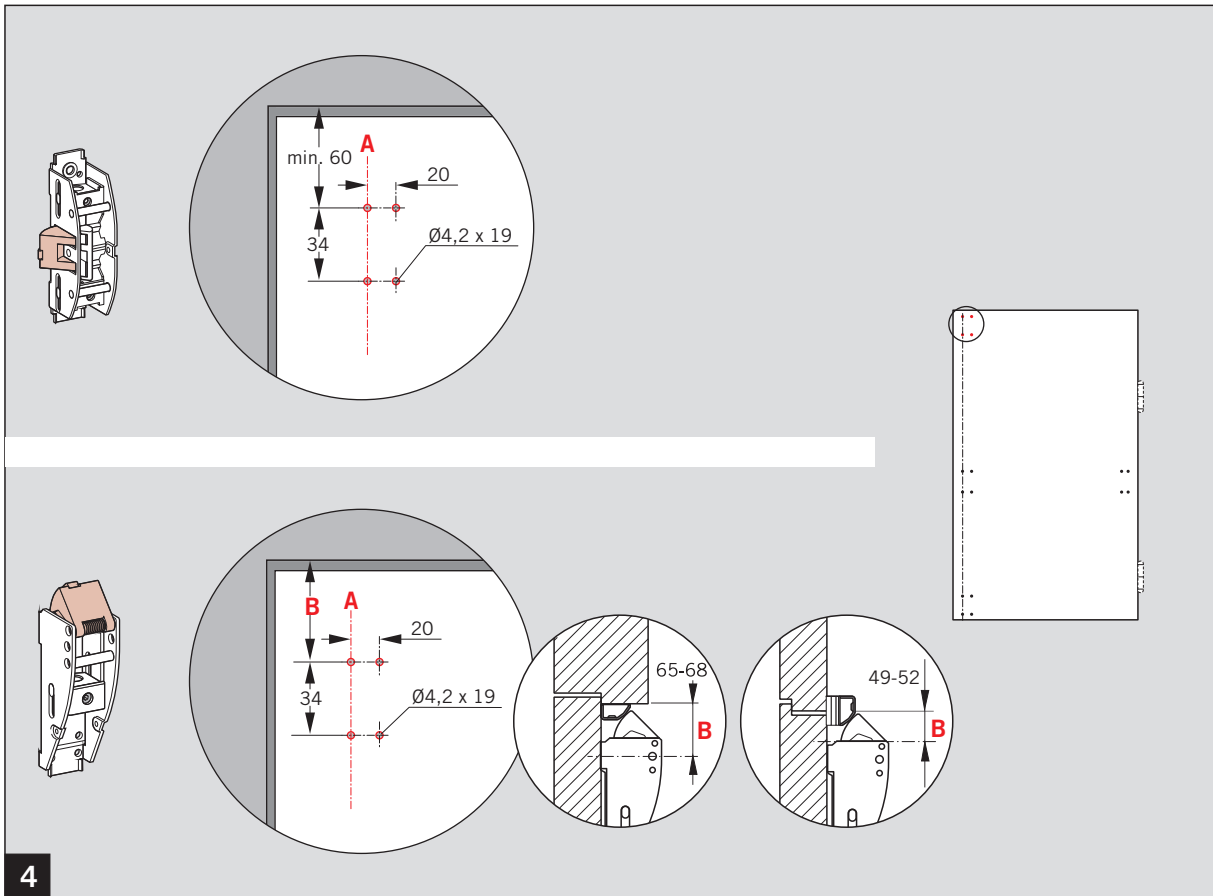
| | | | |
|----------------------------|----------------------------|---------------------|----|
| | DORMA GmbH + Co. KG | | 10 |
| | DORMA Platz 1 | | |
| | 58 256 Ennepetal/Germany | | |
| | 1121 - CPD-AAA030 | 3 7 6 A 1 4 2 2 B A | |
| | EN 1125:2008 | 3 7 6 B 1 4 2 2 B A | |
| Dangerous substances: None | | | |



| | | | |
|----------------------------|----------------------------|---------------------|----|
| | DORMA GmbH + Co. KG | | 10 |
| | DORMA Platz 1 | | |
| | 58 256 Ennepetal/Germany | | |
| | 1121 - CPD-AB8038 | 3 7 6 A 1 4 2 2 B A | |
| | EN 179:2008 | 3 7 6 B 1 4 2 2 B A | |
| Dangerous substances: None | | | |



PHX fixing plate



Änderungen vorbehalten
Subject to change without notice