

# Saffire LX-I Installation Guide for door thickness 1 3/8" to 2 1/8"



For thicker door please see order guide.

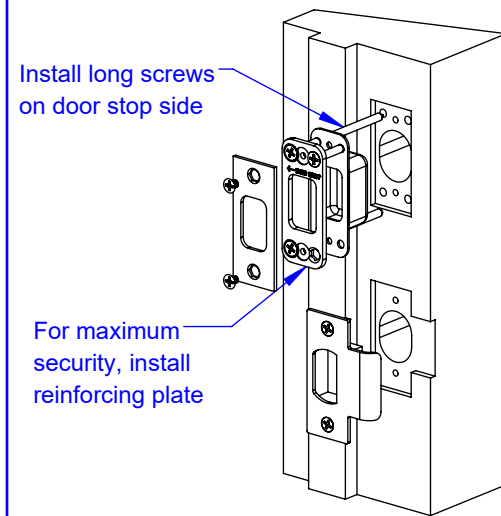
## WARNING

1. Please read and follow all directions carefully.
2. **This lock is not designed to be used on emergency exit doors.**
3. Carefully inspect glass, door frame, door etc. to ensure the recommended procedure will not cause damage. **dormakaba** standard warranty does not cover damages cause by installation.
4. Wear safety glasses when making the holes.
5. All the following operations and testing of the lock to be done with door open.

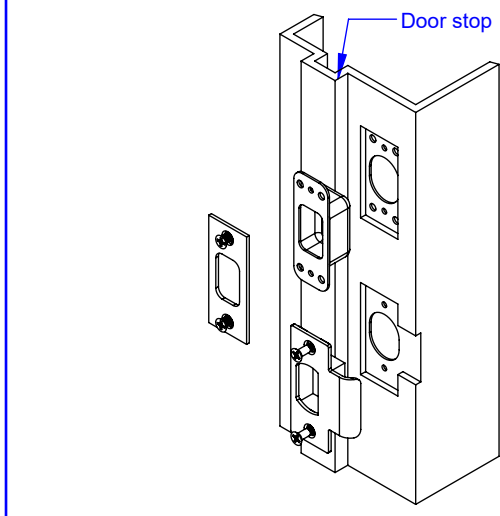
### TOOLS REQUIRED

- Safety glasses
- 1/2" (13mm) Chisel
- 1/8" (3mm) Drill Bit
- 5/32" (4mm) Drill Bit
- 1" (25mm) Drill bit or Hole Saw
- 2 1/8" (54mm) Drill bit or Hole Saw
- Drill
- Awl or Center Punch
- Screwdriver, 1/8" Slotted
- Philips Screwdriver #2
- Adjustable Square
- Tape Measure

### 1A - INSTALL STRIKE ON WOOD FRAME

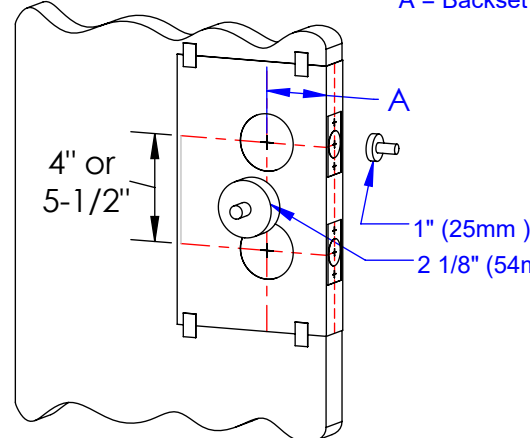


### 1B - INSTALL STRIKE ON STEEL FRAME



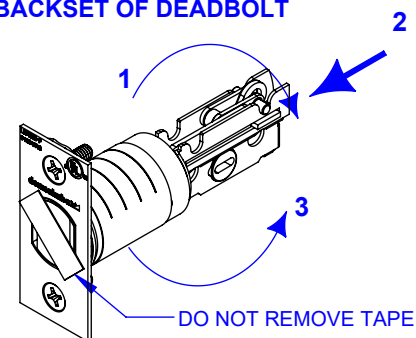
### 1C - DOOR PREPARATION

A = Backset = 2.3/4" (70mm) or 2 3/8" (60mm)



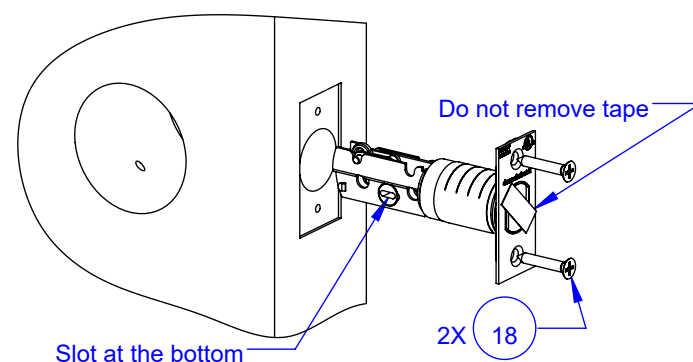
1. Determine which template fits your Saffire LX-I lock installation, either 2 3/8" (60mm) or 2 3/4" (70mm) backset, 4" or 5 1/2" center to center.
2. Place appropriate template (supplied) onto door and mark holes.
3. Drill holes as per dimensions on the template. The 1" (25 mm) hole to be on the center line of door thickness.
4. Mortise door edge for dead bolt face plate and latch bolt face plate.
5. Drill 2 1/8" from both sides of the door to prevent unsightly damage.

### 2. ADJUST BACKSET OF DEADBOLT

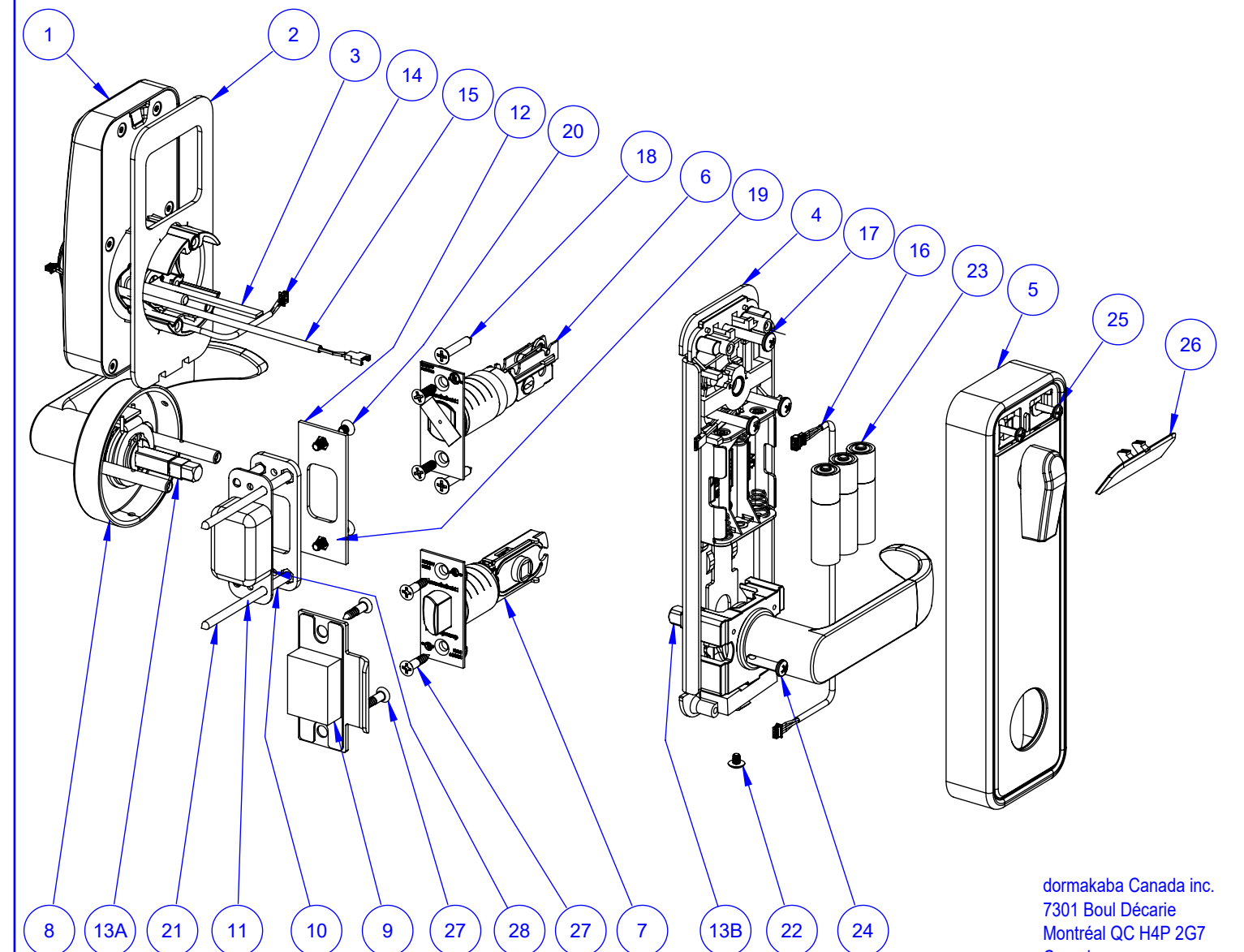


The deadbolt is pre-set at 2 3/4" (70mm) backset. Proceed as illustrated to change to 2 3/8" (60mm) backset, if required.

### 3. INSTALL DEADBOLT IN DOOR



ITEM NO.	QTY	DESCRIPTION	ITEM NO.	QTY	DESCRIPTION
1	1	FRONT UNIT ZINC HOUSING	17	3	PAN HEAD SCREW PHILLIPS, 10-24 x 1-1/4"
2	1	GASKET - FRONT LOCK HOUSING	18	2	WOOD SCREW PHILLIPS, #8 X 1"
3	1	TAIL PIECE	19	4	FLAT HEAD SCREWPHILLIPS, 8-32 X 1/2"
4	1	BACK PLATE - INSIDE TRIM	20	2	FLAT HEAD SCREWPHILLIPS, 8-32 X 7/32"
5	1	INSIDE TRIM COVER ASSEMBLY	21	2	WOOD SCREW PHILLIPS, #8 X 3"
6	1	DEAD BOLT	22	1	PAN HEAD SCREWTORX, 6-32 X 3/16"
7	1	LATCH	23	3	AA BATTERY
8	1	HANDLE ASSEMBLY - OUTSIDE	24	2	PAN HEAD SCREW PHILLIPS 8-32 X 3/4" OR 1 1/4"
9	1	STRIKER PLATE AND DUST BOX KIT	25	2	PAN HEAD SCREW PHILLIPS 6-32 X 1/2"
10	2	REINFORCING PLATE	26	1	REMOVABLE COVER
11	2	DUST BOX	27	4	COMBO SCREW PHILLIPS #8 X 1"
12	1	STRIKER PLATE	28	2	COMBO SCREW PHILLIPS #8 X 1"
13A	1	SPINDLE ASSEMBLY			
13B	1	SPINDLE & RETAINING RING ASSEMBLY			
14	1	MESSENGER CABLE (OPTIONAL)			
15	1	POWER CABLE			
16	1	EXTENSION CABLE (OPTIONAL)			



PK3710 - Rev 2

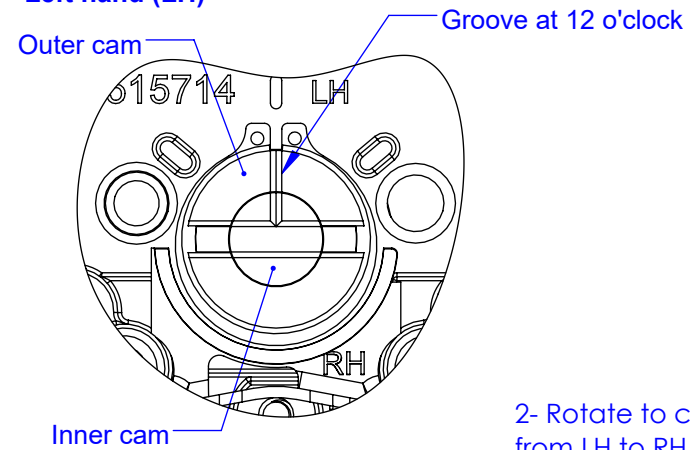
dormakaba Canada inc.  
7301 Boul Décarie  
Montréal QC H4P 2G7  
Canada  
1-877-468-3555  
www.kabalodging.com

Please continue on next page.

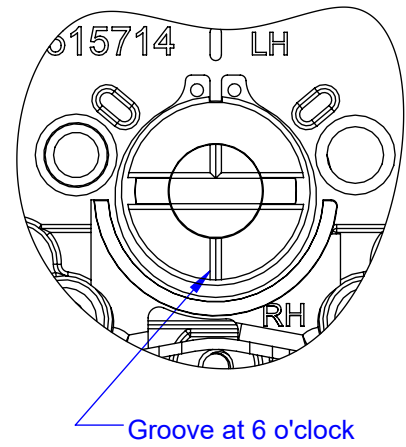
**5. ADJUST LOCK HANDING ON OUTSIDE HOUSING ASSEMBLY**

1. Hold inner cam in place, groove always points to 12 o'clock.
2. Rotate outer cam counter clockwise until groove points to 6 o'clock

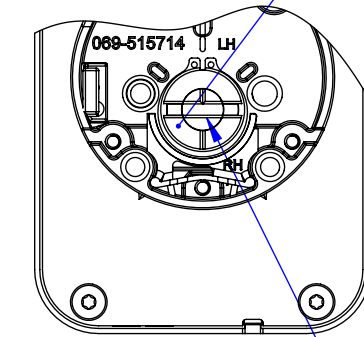
**Left hand (LH)**



**Right hand (RH)**

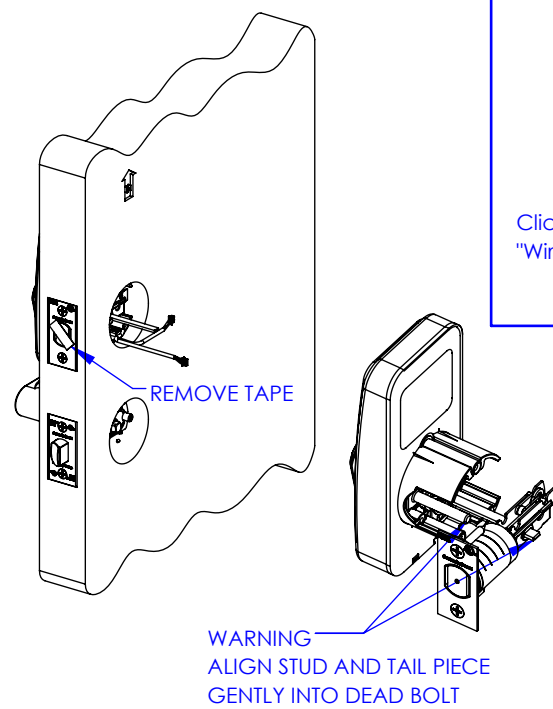


2- Rotate to change from LH to RH

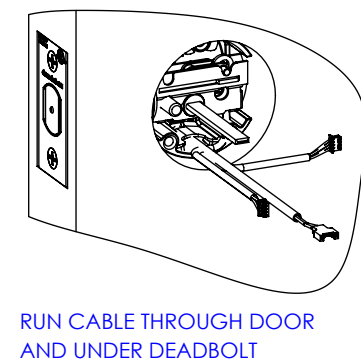
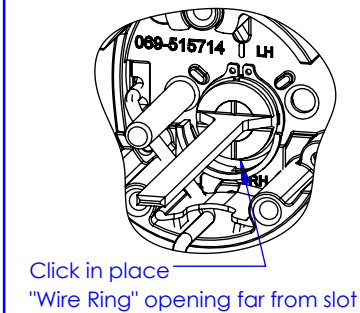


1- Hold from rotating

**8. ASSEMBLE OUTSIDE HOUSING**

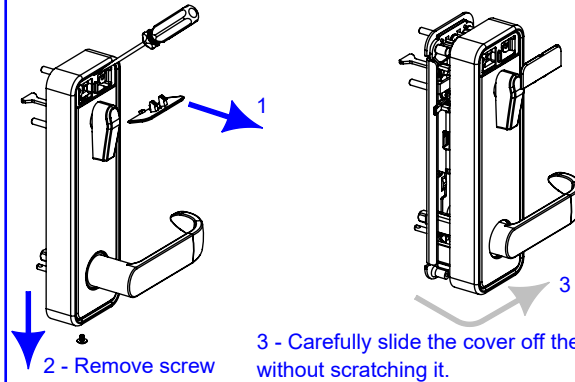


**6. ASSEMBLE TAIL PIECE**

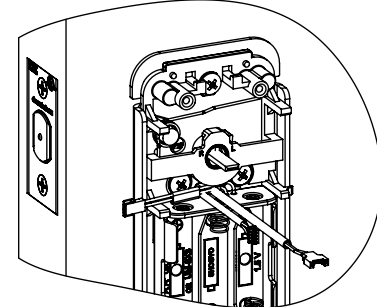


RUN CABLE THROUGH DOOR AND UNDER DEADBOLT

**7. REMOVE INSIDE COVER** 1 - Gently snap the door open.

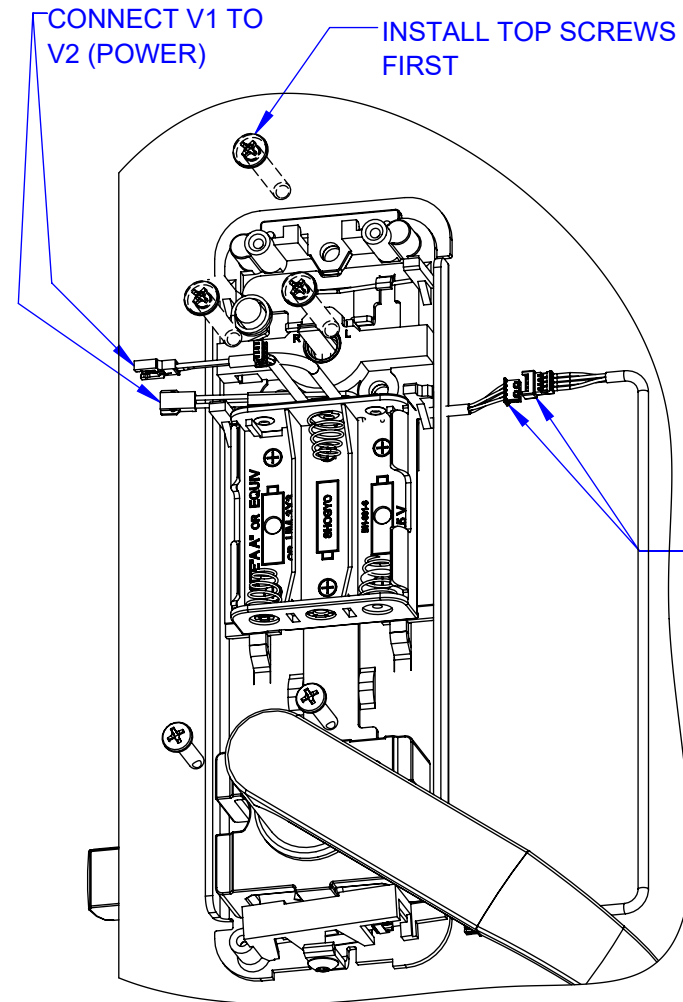


3 - Carefully slide the cover off the lever without scratching it.

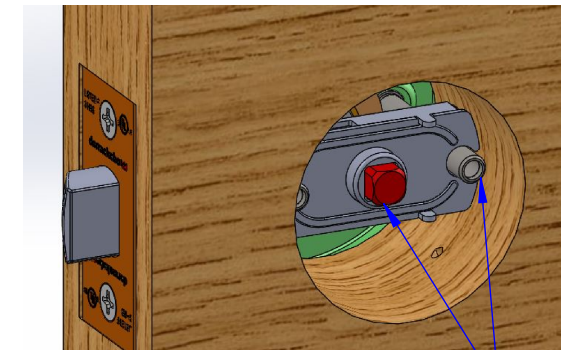
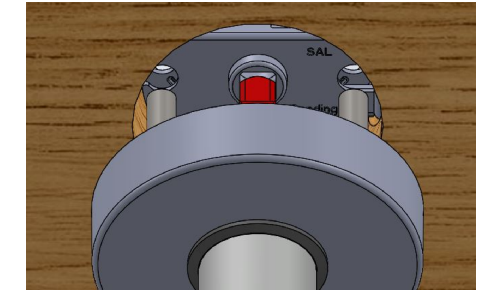


RUN CABLES THROUGH INSIDE TRIM BACKPLATE SLOT

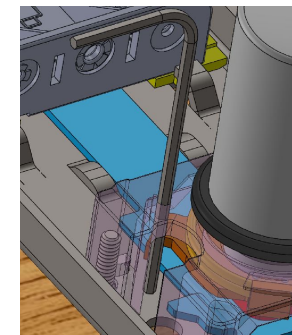
**9. INSTALL INSIDE TRIM ASSEMBLY**



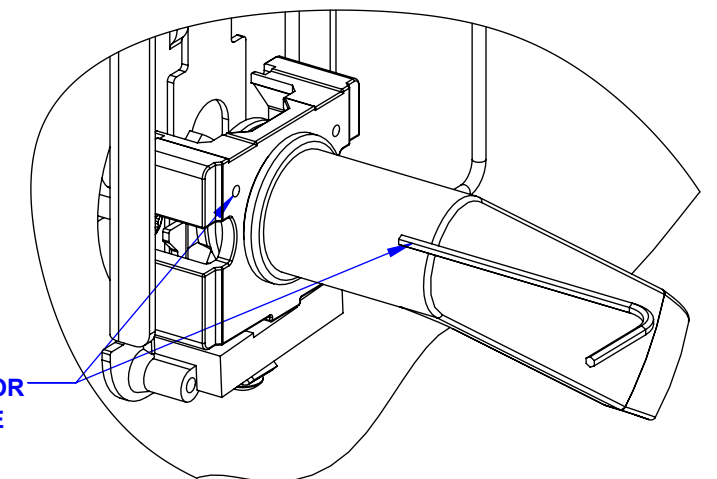
1. INSTALL 3 TOP SCREWS FIRST TO FRONT LOCK ASSEMBLY THEN INSTALL IN PLACE LEVER & ROSE ASSEMBLY.
2. INSTALL 2X BOTTOM SCREW TO LEVER & ROSE ASSEMBLY.
3. OUTSIDE & INSIDE LOCK ASSEMBLY MUST BE ALIGN VERTICAL.
4. BEFORE TIGHTENING THE SCREWS VERIFY FUNCTIONALITY BY EXTRACTING AND RETRACTING THE DEADBOLT. THE DEAD BOLT SHOULD MOVE SMOOTHLY.
5. ALL SCREWS SHALL BE THIGHTEN PROPERLY.
6. TIGHTEN ALL SCREWS.
7. CONNECT WIRING V1 & V2 AND W1 & W2.
8. INSTALLED 3X AA BATTERIES



WHILE INSERTING THE LEVER & ROSE ASSEMBLY IN PLACE, MAKE SURE TO ALIGN SPINDLE AND SCREW POST WITH THEIR RESPECTIVE HOLE AND PUSH GENTLY IN.

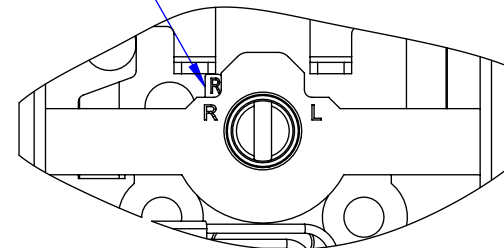


ROTATE LEVER CW OR CCW, INSERT A 5/64 OR 2MM TOOL INTO ACCESS HOLE TO HOLD THE HANDLE DOWN AND CLEAR PASSAGE FOR SCREW

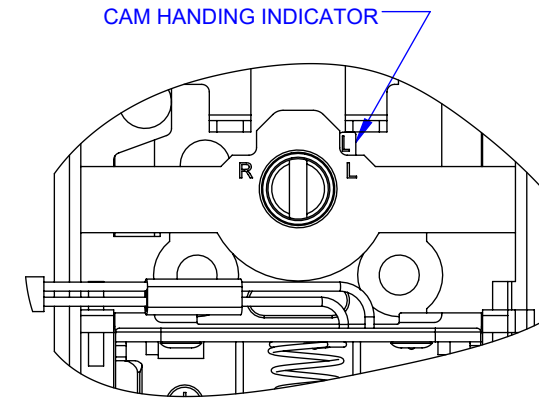


## 10. INSTALL INSIDE TRIM ASSEMBLY

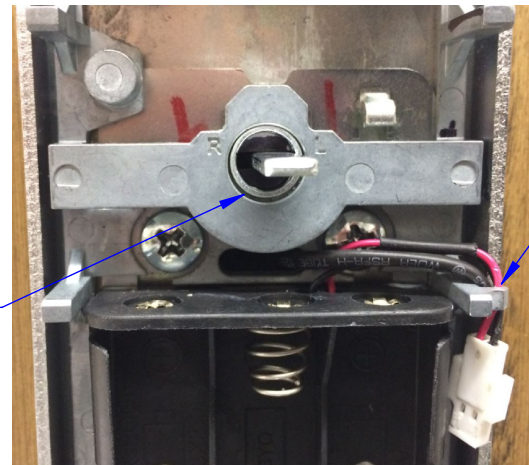
CAM HANDING INDICATOR



FOR A RIGHT HAND SIDE LOCK, IT SHALL BE POSSIBLE TO ALIGN CAM SLOT VERTICALLY AS SHOWN. IF NOT, INSIDE TRIM CHASSIS AND SLIDER ASSEMBLY DO NOT HAVE THE PROPER HANDING AND MUST BE REVERSE.



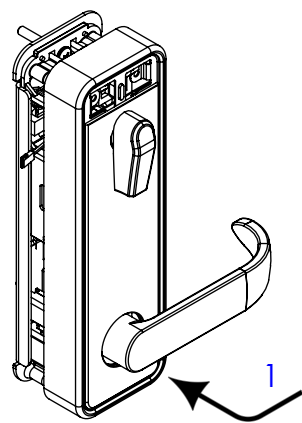
FOR A LEFT HAND SIDE LOCK, IT SHALL BE POSSIBLE TO ALIGN CAM SLOT VERTICALLY AS SHOWN. IF NOT, INSIDE TRIM CHASSIS AND SLIDER ASSEMBLY DO NOT HAVE THE PROPER HANDING AND MUST BE REVERSE.



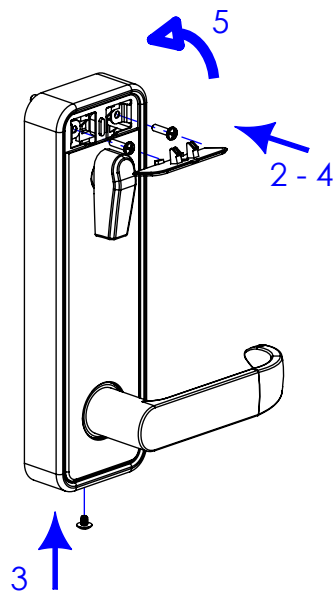
ROTATE THE CAM SO THAT THE INNER SLOT IS HORIZONTAL THEN PLACE THE INSIDE TRIM INTO POSITION

AFTER CONNECTING THE CABLES, ROUTE THE CABLES AROUND THE CLIPS

## 11. INSTALL INSIDE COVER

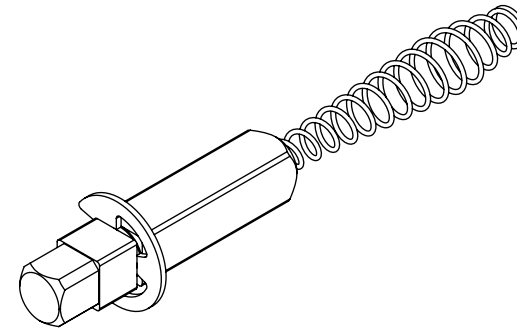


1. SLIDE THE COVER OVER THE LEVER WITHOUT SCRATCHING THE LEVER.
2. LIGHTLY SCREW IN THE TWO UPPER SCREWS.
3. INSTALL THE LOWER SCREW.
4. TIGHTEN THE UPPER SCREWS IN PLACE.
5. SNAP IN THE COVER.

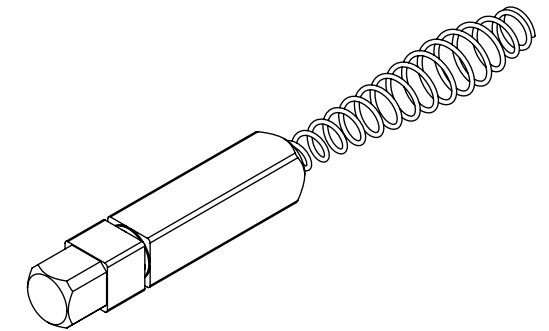


PK3710 - Rev 2

IF SPINDLE IS DISCONNECTED FROM LEVER, RE-INSERT SPRING IN LEVER AS FOLLOW:  
PUSH THE SPRING LIGHTLY INSIDE LEVER HOLE AND GENTLY TWIST THE SPINDLE AND SPRING ASSEMBLY 2 OR 3 TURNS COUNTERCLOCKWISE THEN PRESS THE SPINDLE ALL THE WAY IN.



SPINDLE & RETAINING ASSEMBLY FOR INSIDE TRIM



SPINDLE ASSEMBLY FOR LEVER & ROSE

This device complies with Industry Canada license-exempt RSS standard(s). Operation is subject to the following two conditions: (1) this device may not cause interference, and (2) this device must accept any interference, including interference that may cause undesired operation of the device.

Le présent appareil est conforme aux CNR d'Industrie Canada applicables aux appareils radio exempts de licence. L'exploitation est autorisée aux deux conditions suivantes : (1) l'appareil ne doit pas produire de brouillage, et (2) l'utilisateur de l'appareil doit accepter tout brouillage radioélectrique subi, même si le brouillage est susceptible d'en compromettre le fonctionnement."

Note: This equipment has been tested and found to comply with the limits for a Class B digital device, pursuant to part 15 of the FCC Rules. These limits are designed to provide reasonable protection against harmful interference in a residential installation. This equipment generates, uses and can radiate radio frequency energy and, if not installed and used in accordance with the instructions, may cause harmful interference to radio communications. However, there is no guarantee that interference will not occur in a particular installation. If this equipment does cause harmful interference to radio or television reception, which can be determined by turning the equipment off and on, the user is encouraged to try to correct the interference by one or more of the following measures:

- Reorient or relocate the receiving antenna.
- Increase the separation between the equipment and receiver.
- Connect the equipment into an outlet on a circuit different from that to which the receiver is connected.
- Consult the dealer or an experienced radio/TV technician for help."

Changes or modifications not expressly approved by the party responsible for compliance could void the user's authority to operate the equipment  
This device complies with part 15 of the FCC Rules. Operation is subject to the following two conditions: (1) This device may not cause harmful interference, and (2) this device must accept any interference received, including interference that may cause undesired operation.