



8210 Straight Round Entrance Pull Handles

dormakaba's straight round entrance pull handles epitomize the high quality ambitions of the dormakaba brand – designed for excellence down to the very last detail and exuding fine craftsmanship.

They offer genuine quality, characterised by clearly defined features – irrespective of shape or size.

Created in solid, premium 316 Marine Grade Stainless Steel offering superior corrosion resistance for internal and external use in high traffic buildings. The round section allows comfortable ease of use.

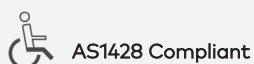
The 8210 entrance pull handles are an ideal choice for residential and commercial applications and are suitable for use on glass, timber and aluminium doors.

Features at a glance:

- 316 Marine Grade Stainless Steel
- Designed with your project's needs in mind
- High durability with concealed fixings
- Standard finishes: SSS and PSS
- Powdercoat and custom finishes available on request

Please refer to ordering details for a range of optional accessories to suit:

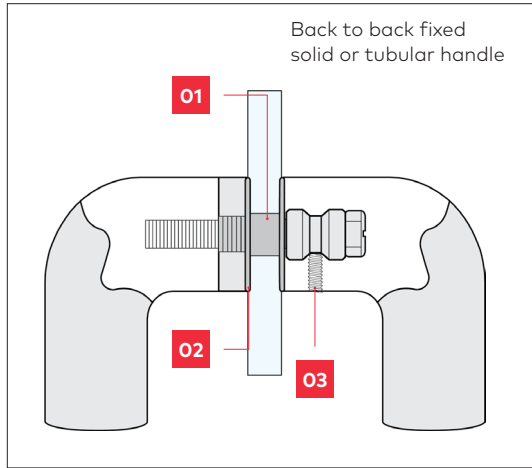
- Back to back extended fixing for timber doors
- Back to back fixing for glass doors
- Disc fixing for timber doors
- Disc fixing for glass doors



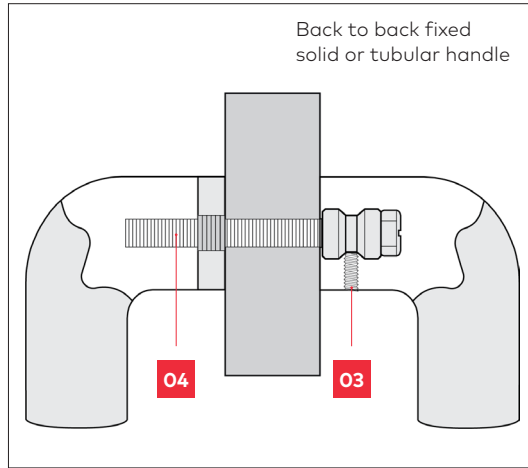
dormakaba Australia
Head Office
12-13 Dansu Court
Hallam VIC 3803
T: 1800 675 411
info.au@dormakaba.com
www.dormakaba.com.au

dormakaba New Zealand
Head Office
Building P, 61-69 Patiki Road
Avondale, Auckland 1026
T: 0800 436 762
info.nz@dormakaba.com
www.dormakaba.co.nz

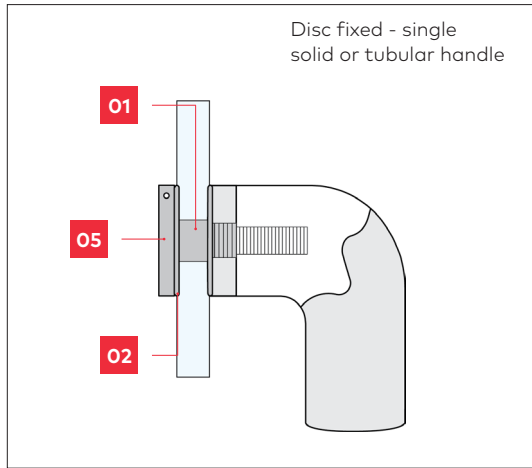
Fixing options



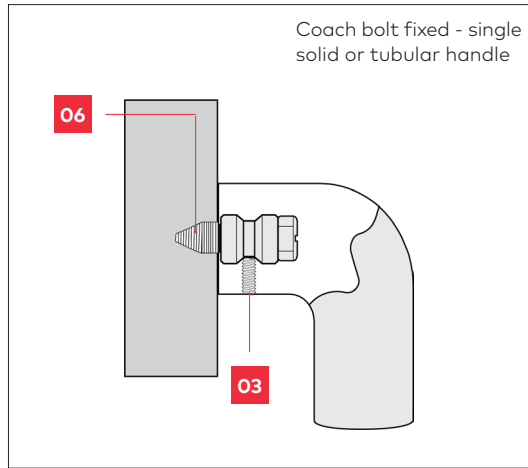
GD FIX - glass doors



TM FIX - timber or metal doors



D FIX - glass, metal or timber doors



C FIX - timber doors only

Note
Nylon spacers and washers are included with handle for glass door fixing option.

Legend
01 Spacer **03** Grub Screw **05** Disc
02 Washer **04** Bolt **06** Coach Bolt

TIMBER DOOR FIXING

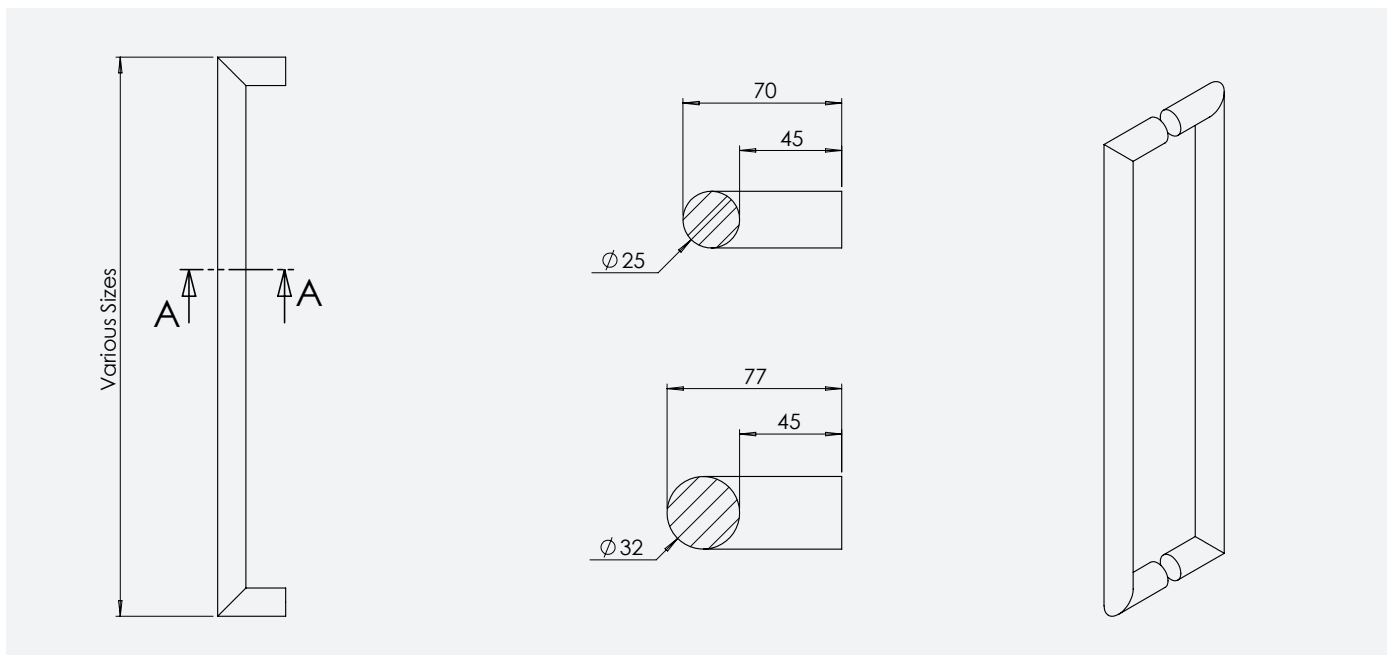
Material Size	Bolt Size
14mm Ø	5mm
16mm Ø	5mm
19mm Ø	8mm
25mm Ø	8mm
32mm Ø	8mm

METAL DOOR FIXING

Material Size	Bolt Size
14mm Ø	5mm
16mm Ø	5mm
19mm Ø	8mm
25mm Ø	8mm
32mm Ø	8mm

GLASS DOOR FIXING

Material Size	Bolt Size
14mm Ø	12mm Ø
16mm Ø	12mm Ø
19mm Ø	12mm Ø
25mm Ø	12mm Ø
32mm Ø	12mm Ø



Ordering details

Item	Article Number	Description	Diameter	Projection	Length	Fixing Centres
BACK TO BACK FIXING						
B8210/400/25/PSS	9458213534102	B8210/400/25 OA 425 CTC 400 PSS	25mm	70mm	425mm	400mm
B8210/400/25/SSS	9458213534101	B8210/400/25 OA 425 CTC 400 SSS	25mm	70mm	425mm	400mm
B8210/400/32/PSS	9458213535102	B8210/400/32 OA 432 CTC 400 PSS	32mm	77mm	432mm	400mm
B8210/400/32/SSS	9458213535101	B8210/400/32 OA 432 CTC 400 SSS	32mm	77mm	432mm	400mm
B8210/600/25/PSS	9458214734102	B8210/600/25 OA 625 CTC 600 PSS	25mm	70mm	625mm	600mm
B8210/600/25/SSS	9458214734101	B8210/600/25 OA 625 CTC 600 SSS	25mm	70mm	625mm	600mm
B8210/600/32/PSS	9458214735102	B8210/600/32 OA 632 CTC 600 PSS	32mm	77mm	632mm	600mm
B8210/600/32/SSS	9458214735101	B8210/600/32 OA 632 CTC 600 SSS	32mm	77mm	632mm	600mm
B8210/800/25/PSS	9458215814102	B8210/800/25 OA 825 CTC 800 PSS	25mm	70mm	825mm	800mm
B8210/800/25/SSS	9458215814101	B8210/800/25 OA 825 CTC 800 SSS	25mm	70mm	825mm	800mm
B8210/800/32/PSS	9458215815102	B8210/800/32 OA 832 CTC 800 PSS	32mm	77mm	832mm	800mm
B8210/800/32/SSS	9458215815101	B8210/800/32 OA 832 CTC 800 SSS	32mm	77mm	832mm	800mm
B8210/1000/25/PSS	9458216654102	B8210/1000/25 OA 1025 CTC 1000 PSS	25mm	70mm	1025mm	1000mm
B8210/1000/25/SSS	9458216654101	B8210/1000/25 OA 1025 CTC 1000 SSS	25mm	70mm	1025mm	1000mm
B8210/1000/32/PSS	9458216655102	B8210/1000/32 OA 1032 CTC 1000 PSS	32mm	77mm	1032mm	1000mm
B8210/1000/32/SSS	9458216655101	B8210/1000/32 OA 1032 CTC 1000 SSS	32mm	77mm	1032mm	1000mm
B8210/1500/25/PSS	9458218394102	B8210/1500/25 OA 1525 CTC 1500 PSS	25mm	70mm	1525mm	1500mm
B8210/1500/25/SSS	9458218394101	B8210/1500/25 OA 1525 CTC 1500 SSS	25mm	70mm	1525mm	1500mm
B8210/1500/32/PSS	9458218395102	B8210/1500/32 OA 1532 CTC 1500 PSS	32mm	77mm	1532mm	1500mm
B8210/1500/32/SSS	9458218395101	B8210/1500/32 OA 1532 CTC 1500 SSS	32mm	77mm	1532mm	1500mm
ACCESSORIES - EXTENDED FIXINGS - sold as a pair						
TM/M8/50	9459508058200	M8/50 FERULE HEAD BOLT TM FIX	<p>Note: When ordering extended fixings please use the below formula.</p> <p>Door thickness + 20mm for the Ferule + 10mm in to the other handle = round up to the nearest size offered.</p>			
TM/M8/75	9459758078200	M8/75 FERULE HEAD BOLT TM FIX				
TM/M8/90	9400000012887	M8/90 BOLT & 16MM FERULE TM FIX				
TM/M8/100	9400000012888	M8/100 BOLT & 16MM FERULE TM FIX				
TM/M8/110	9459118118200	M8/110 BOLT & 16MM FERULE TM FIX				
TM/M8/120	9459128128200	M8/120 BOLT & 16MM FERULE TM FIX				
TM/M8/130	9459138138200	M8/130 BOLT & 16MM FERULE TM FIX				
TM/M8/150	9459158158200	M8/150 BOLT & 16MM FERULE TM FIX				
ACCESSORIES - GLASS FIXINGS - sold as a pair						
GF25/M8/50 RND	9459502588301	25 DIA RND GLASS FIXING PAIRS				
GF32/M8/50 RND	9459503288301	32 DIA RND GLASS FIXING PAIRS				
CONCEALED FIXING						
C8210/400/25/PSS	9458213534202	C8210/400/25 OA 425 CTC 400 PSS	25mm	70mm	425mm	400mm
C8210/400/25/SSS	9458213534201	C8210/400/25 OA 425 CTC 400 SSS	25mm	70mm	425mm	400mm
C8210/400/32/PSS	9458213535202	C8210/400/32 OA 432 CTC 400 PSS	32mm	77mm	432mm	400mm
C8210/400/32/SSS	9458213535201	C8210/400/32 OA 432 CTC 400 SSS	32mm	77mm	432mm	400mm
C8210/600/25/PSS	9458214734202	C8210/600/25 OA 625 CTC 600 PSS	25mm	70mm	625mm	600mm

Ordering details

Item	Article Number	Description	Diameter	Projection	Length	Fixing Centres
C8210/600/25/SSS	9458214734201	C8210/600/25 OA 625 CTC 600 SSS	25mm	70mm	625mm	600mm
C8210/600/32/PSS	9458214735202	C8210/600/32 OA 632 CTC 600 PSS	32mm	77mm	632mm	600mm
C8210/600/32/SSS	9458214735201	C8210/600/32 OA 632 CTC 600 SSS	32mm	77mm	632mm	600mm
C8210/800/25/PSS	9458215814202	C8210/800/25 OA 825 CTC 800 PSS	25mm	70mm	825mm	800mm
C8210/800/25/SSS	9458215814201	C8210/800/25 OA 825 CTC 800 SSS	25mm	70mm	825mm	800mm
C8210/800/32/PSS	9458215815202	C8210/800/32 OA 832 CTC 800 PSS	32mm	77mm	832mm	800mm
C8210/800/32/SSS	9458215815201	C8210/800/32 OA 832 CTC 800 SSS	32mm	77mm	832mm	800mm
C8210/1000/25/PSS	9458216654202	C8210/1000/25 OA 1025 CTC 1000 PSS	25mm	70mm	1025mm	1000mm
C8210/1000/25/SSS	9458216654201	C8210/1000/25 OA 1025 CTC 1000 SSS	25mm	70mm	1025mm	1000mm
C8210/1000/32/PSS	9458216655202	C8210/1000/32 OA 1032 CTC 1000 PSS	32mm	77mm	1032mm	1000mm
C8210/1000/32/SSS	9458216655201	C8210/1000/32 OA 1032 CTC 1000 SSS	32mm	77mm	1032mm	1000mm
C8210/1500/25/PSS	9458218394202	C8210/1500/25 OA 1525 CTC 1500 PSS	25mm	70mm	1525mm	1500mm
C8210/1500/25/SSS	9458218394201	C8210/1500/25 OA 1525 CTC 1500 SSS	25mm	70mm	1525mm	1500mm
C8210/1500/32/PSS	9458218395202	C8210/1500/32 OA 1532 CTC 1500 PSS	32mm	77mm	1532mm	1500mm
C8210/1500/32/SSS	9458218395201	C8210/1500/32 OA 1532 CTC 1500 SSS	32mm	77mm	1532mm	1500mm

DISC FIXING						
D8210/400/25/PSS	9458213534302	D8210/400/25 OA 425 CTC 400 PSS	25mm	70mm	425mm	400mm
D8210/400/25/SSS	9458213534301	D8210/400/25 OA 425 CTC 400 SSS	25mm	70mm	425mm	400mm
D8210/400/32/PSS	9458213535302	D8210/400/32 OA 432 CTC 400 PSS	32mm	77mm	432mm	400mm
D8210/400/32/SSS	9458213535301	D8210/400/32 OA 432 CTC 400 SSS	32mm	77mm	432mm	400mm
D8210/600/25/PSS	9458214734302	D8210/600/25 OA 625 CTC 600 PSS	25mm	70mm	625mm	600mm
D8210/600/25/SSS	9458214734301	D8210/600/25 OA 625 CTC 600 SSS	25mm	70mm	625mm	600mm
D8210/600/32/PSS	9458214735302	D8210/600/32 OA 632 CTC 600 PSS	32mm	77mm	632mm	600mm
D8210/600/32/SSS	9458214735301	D8210/600/32 OA 632 CTC 600 SSS	32mm	77mm	632mm	600mm
D8210/800/25/PSS	9458215814302	D8210/800/25 OA 825 CTC 800 PSS	25mm	70mm	825mm	800mm
D8210/800/25/SSS	9458215814301	D8210/800/25 OA 825 CTC 800 SSS	25mm	70mm	825mm	800mm
D8210/800/32/PSS	9458215815302	D8210/800/32 OA 832 CTC 800 PSS	32mm	77mm	832mm	800mm
D8210/800/32/SSS	9458215815301	D8210/800/32 OA 832 CTC 800 SSS	32mm	77mm	832mm	800mm
D8210/1000/25/PSS	9458216654302	D8210/1000/25 OA 1025 CTC 1000 PSS	25mm	70mm	1025mm	1000mm
D8210/1000/25/SSS	9458216654301	D8210/1000/25 OA 1025 CTC 1000 SSS	25mm	70mm	1025mm	1000mm
D8210/1000/32/PSS	9458216655302	D8210/1000/32 OA 1032 CTC 1000 PSS	32mm	77mm	1032mm	1000mm
D8210/1000/32/SSS	9458216655301	D8210/1000/32 OA 1032 CTC 1000 SSS	32mm	77mm	1032mm	1000mm
D8210/1500/25/PSS	9458218394302	D8210/1500/25 OA 1525 CTC 1500 PSS	25mm	70mm	1525mm	1500mm
D8210/1500/25/SSS	9458218394301	D8210/1500/25 OA 1525 CTC 1500 SSS	25mm	70mm	1525mm	1500mm
D8210/1500/32/PSS	9458218395302	D8210/1500/32 OA 1532 CTC 1500 PSS	32mm	77mm	1532mm	1500mm
D8210/1500/32/SSS	9458218395301	D8210/1500/32 OA 1532 CTC 1500 SSS	32mm	77mm	1532mm	1500mm

Ordering details

Item	Article Number	Description	Diameter	Projection	Length	Fixing Centres
ACCESSORIES - EXTENDED FIXINGS - sold as a pair						
DF25/M8/75 PSS	9459752588102	25MM DISK FIX PAIR M8X75MM PSS				
DF25/M8/75 SSS	9400000014108	25MM DISK FIX PAIR M8X75MM SSS				
DF32/M8/75 PSS	9459753288102	32MM DISK FIX PAIR M8X75MM PSS				
DF32/M8/75 SSS	9400000014109	32MM DISK FIX PAIR M8X75MM SSS				
ACCESSORIES - GLASS FIXINGS - sold as a pair						
GDF25/M8/50 PSS	9459502588102	25MM GLASS DISK FIX PSS PAIR M8X50MM				
GDF25/M8/50 SSS	9459502588101	25MM GLASS DISK FIX SSS PAIR M8X50MM				
GDF32/M8/50 PSS	9459503288102	32MM GLASS DISK FIX PSS PAIR M8X50MM				
GDF32/M8/50 SSS	9459503288101	32MM GLASS DISK FIX SSS PAIR M8X50MM				