

DORMA Automatics, Inc
 924 Sherwood Drive
 Lake Bluff, Illinois 60044
 Toll Free: (877)-367-6211
 Fax: (877)423-7999

THE STANDARD PACKAGE CONSISTS OF:
 THE AUTOMATIC DOOR OPERATOR & HOUSING, FRAMES,
 DOORS, SIDELITES WITH VERTICAL AND HORIZONTAL
 WEATHERSTRIP, 2-POINT LOCKING, BREAKAWAY DEVICE,
 CONCEALED CONTROL PANEL (OFF, AUTO, HOLD-OPEN,
 REDUCED OPENING, EXIT ONLY ACTIVATION)

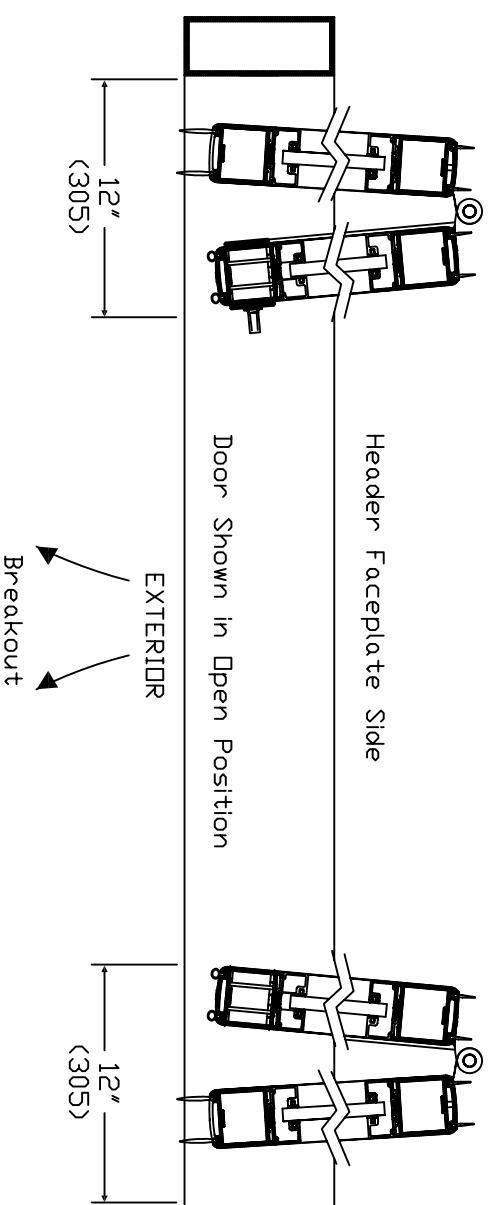
STANDARD FINISHES: CLEAR BHMA 204
 DARK BRONZE BHMA 313

SPECIAL FINISHES ARE AVAILABLE

DRAWING DIMENSIONS ARE IN ENGLISH AND
 METRIC UNITS. METRICS ARE SHOWN IN
 MILLIMETERS, AS FOLLOWS: 1" (25.4)

FOR MAXIMUM CURRENT DRAW, SEE
 PRODUCT SPECIFICATION OR
 INSTALLATION INSTRUCTIONS.

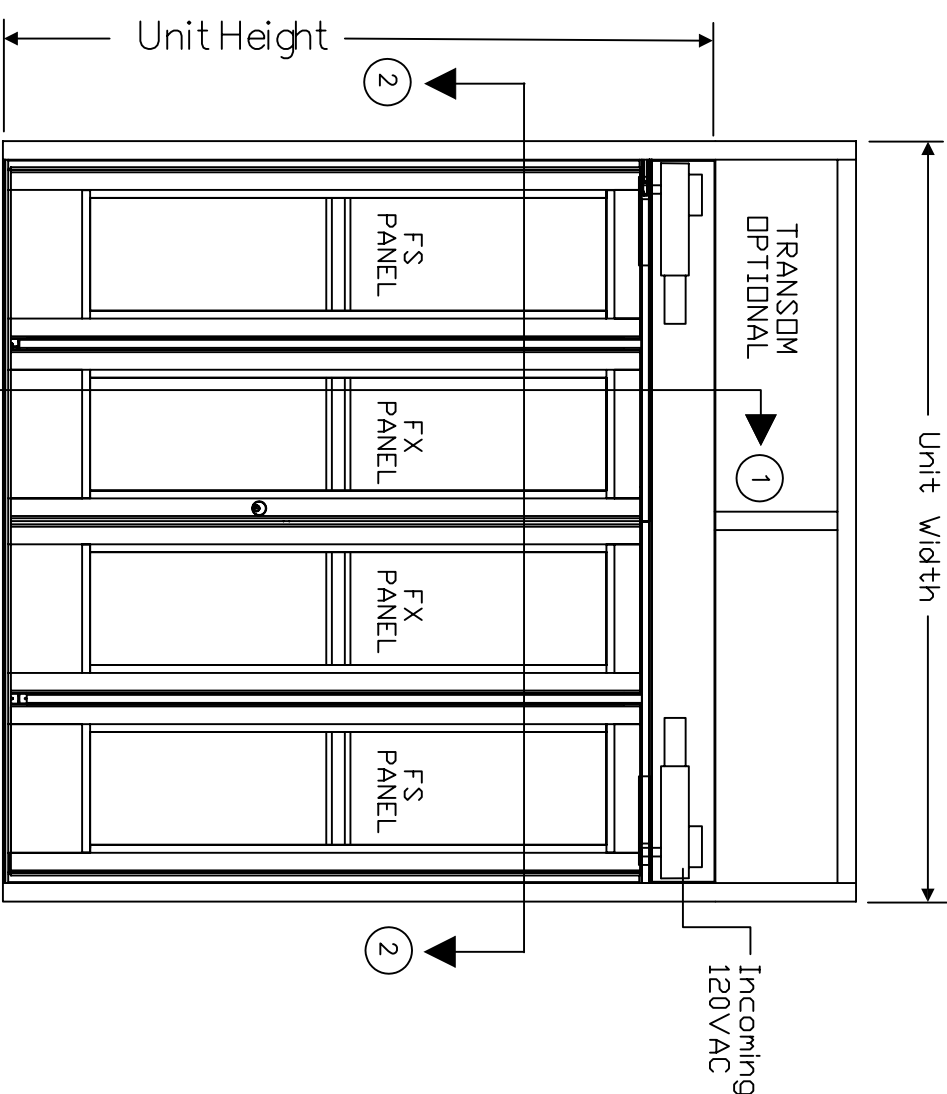
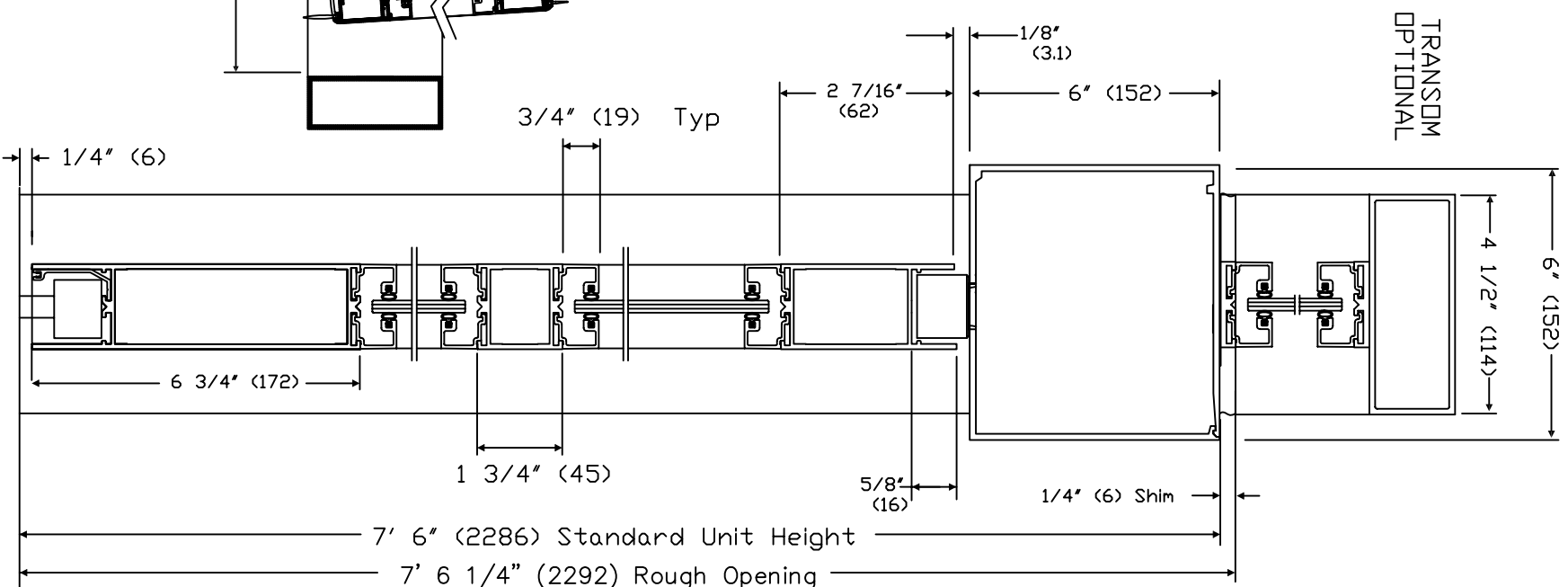
REFER TO APPLICABLE LOCAL, STATE OR
 NATIONAL BUILDING CODE FOR MINIMUM DOOR
 HEIGHTS AND WIDTHS FOR ALLOWABLE EGRESS
 REQUIREMENTS. SEE REFERENCE TABLE BELOW.



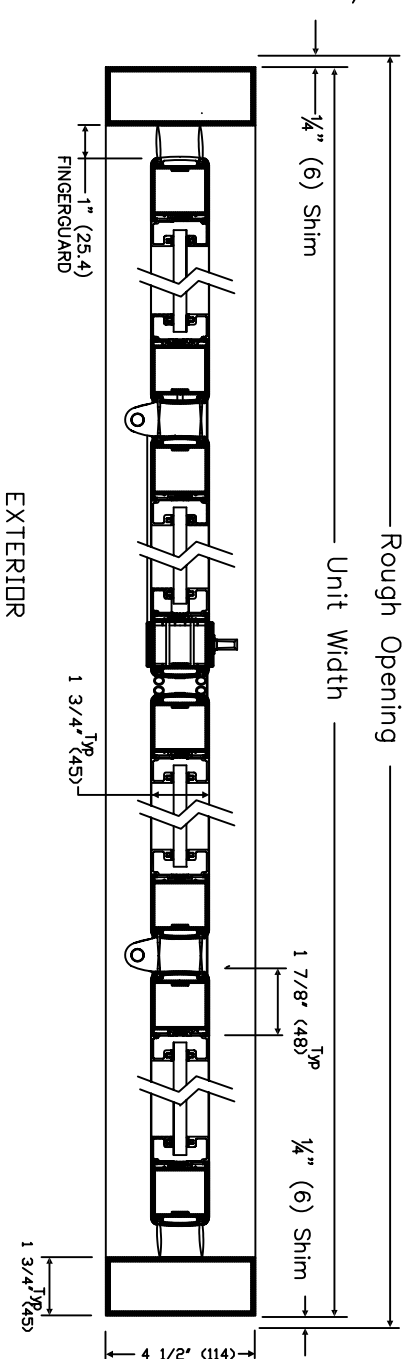
STANDARD PACKAGE SIZES

STANDARD UNIT SIZE WIDTH	STANDARD UNIT SIZE HEIGHT	MAXIMUM CLEAR OPENING AT BREAKOUT	ROUGH OPENING WIDTH	ROUGH OPENING HEIGHT
72" (1828)	7'-6" (2286)	59 1/4" (1504)	72 1/2" (1840)	7'-6 1/4" (2292)
84" (2133)	7'-6" (2286)	71 1/4" (1810)	84 1/2" (2146)	7'-6 1/4" (2292)
96" (2438)	7'-6" (2286)	83 1/4" (2115)	96 1/2" (2451)	7'-6 1/4" (2292)

Note: Dimensions in () are mm



ELEVATION



SECTION 2

Door Shown in Closed Position

Door Shown in Closed Position

SECTION 1