

# BTS 65

## Floor Spring



# The economic floor spring specially designed for double action doors

Special shallow design Optional hold-open Successfully tailored to satisfy the special requirements governing floor springs for double action doors, the BTS 65 also offers a particularly shallow design and thus all the advantages of a reduced installation depth. With two closing ranges and a choice of models, the BTS 65 can fulfil virtually any application requirement while providing all the reliability associated with assured quality from dormakaba.

Certified to ISO 9001.

## Benefits

### For the trade

- Outstanding value for money.
- Wide range of accessories to accommodate various installation situations.

### For the installer

- Easy installation thanks to shallow design.
- Easy installation thanks to shallow design. Interchangeable spindle inserts available to suit site conditions.
- Interchangeable spindle inserts available to suit site conditions

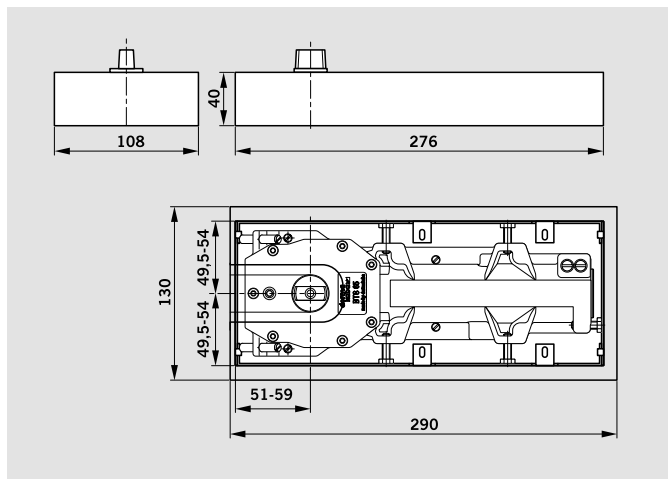
### For the architect/specifier

- Minimum floor recess dimension.
- Rugged construction for door weights up to 100 kg.
- dormakaba quality.

### For the user

- dormakaba quality in the basic segment.
- Comfortable door operation with low effort.
- Optional mechanical hold-open at 90°.

## Measurements



Technical Data		BTS 65	
Spring strength	Size	EN 3	EN 4
Standard 1) and external doors 1) 2)	≤ 950 mm ≤ 1100 mm	● -	- ●
Max. door weight in kg		100	100
Closing speed variable by valve adjustment		●	●
Backcheck		-	-
Delayed action		-	-
Hold-open point 90°		○	○
Weight in kg, approx.		4.0	4.0
Dimensions in mm	Length Width Height	276 108 40	276 108 40
Door closer tested to EN 1154		●	●
CE mark for building products (products with factory-fitted hold-open do not carry a CE mark)		●	●

● Yes - No ○ Option

<sup>1)</sup> For applications involving particularly high or heavy doors, and doors which have to close against wind or draught conditions, the next larger closer size or the dormakaba BTS 80 should be selected.

<sup>2)</sup> Max. opening 130°. Door stop necessary for doors which can open further than 130°.

## Standard and optional functions

### Closing ranges

The floor spring has two controlled closing ranges:

Valve 1: 130° – 0° sweep

Valve 2: Increases the closing speed between 130° and 20°.

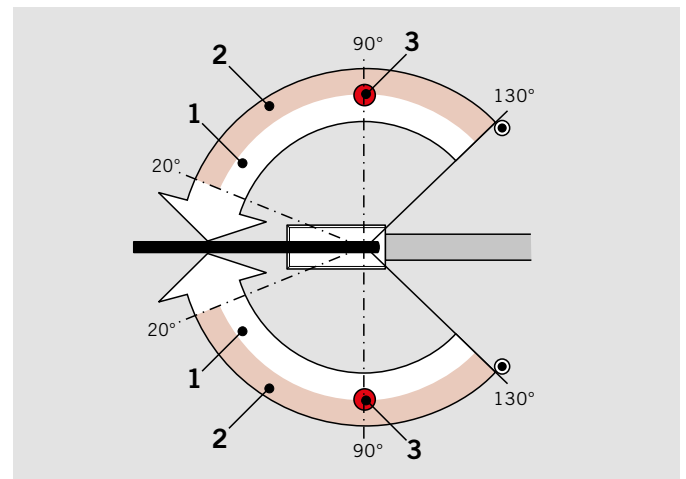
1 Infinitely variable closing speed in the range 130° – 0°.

2 Second closing range 130° – 20°.

3 Hold open at 90° (optional extra).

### Hold-open

With optional integrated single-point hold-open at 90°.



### Applications and installation

The practical clamp fixing system of the BTS 65 ensures a secure and high-precision fit in the cement box.

The adjustment range in the cement box is as follows:

Transverse	9 mm
Longitudinal	8 mm
Vertical	6 mm

### Accessories

#### Applications and fixing instructions, door straps and top centres

See Technical Product Brochure "Floor spring accessories dormakaba BTS".

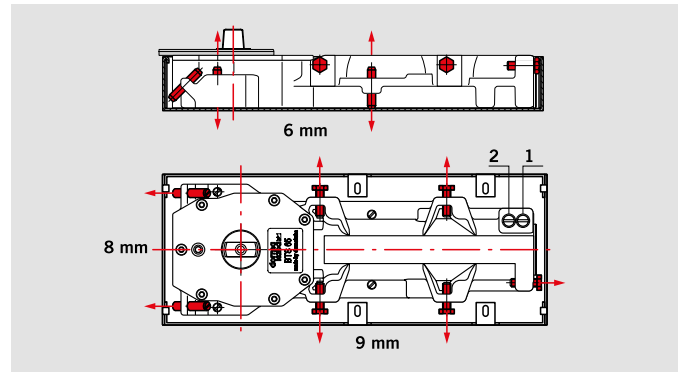
#### dormakaba 2300

##### Sealing Compound

For filling the cavities between the floor spring body and the cement box

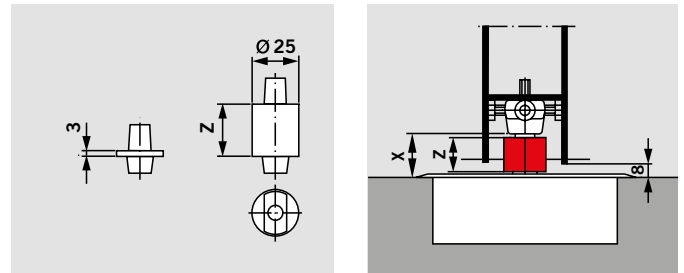
to prevent moisture penetration (mandatory according to e.g. VOB regulations for wet rooms).

- 1 Valve for 130° – 0° closing speed adjustment
- 2 Valve for increasing the 130° – 20° closing speed



### Spindle inserts

The floor clearance can be adjusted as required by simply replacing the insertion spindle with another size. Special spindle designs available on request – e.g. wide flats with 3° offset, square and spindle inserts for non-dormakaba-specific accessories.



### Universal cover plate

Available in stainless steel or satin brass.

Calculating the necessary length of spindle extension:

$$\text{Extension} = X - \text{Floor clearance (normally 8 mm)}$$

Collar height Z of the extended spindle inserts = Spindle extension length + 3 mm (collar height of the standard spindle insert)

## Options and accessories

Floor spring BTS 65 including cement box and standard spindle insert, not pre- assembled	Floor spring BTS 65 including cement box without spindle insert	normal	Extended spindle inserts (extension in mm)													Universal cover plate		Sealing compound 2300 0.5 kg
			0	5	7.5	10	12.5	15	20	25	28	30	35	40	45	50	Stainless steel	
		45200401	45200402	45200403	45200404	45200419	45200405	45200406	45200407	45200414	45200408	45200409	45200410	45200411	45200412	46700086	46700186	45090086
<b>Standard</b>																		
EN 3 25030101	EN 3 25030100	Δ	Δ	Δ	Δ	Δ	Δ	Δ	Δ	Δ	Δ	Δ	Δ	Δ	Δ	Δ	Δ	Δ
EN 4 25040101	EN 4 25040100	Δ	Δ	Δ	Δ	Δ	Δ	Δ	Δ	Δ	Δ	Δ	Δ	Δ	Δ	Δ	Δ	Δ
<b>With hold-open 90°</b>																		
EN 3 25130101	EN 3 25130100	Δ	Δ	Δ	Δ	Δ	Δ	Δ	Δ	Δ	Δ	Δ	Δ	Δ	Δ	Δ	Δ	Δ
EN 4 25140101	EN 4 25140100	Δ	Δ	Δ	Δ	Δ	Δ	Δ	Δ	Δ	Δ	Δ	Δ	Δ	Δ	Δ	Δ	Δ

Δ Accessory

### Specification text

Floor spring for double action doors, with hydraulic fully controlled closing from approx. 130°; including cement box and removeable spindle insert.

### Size

- EN 3
- EN 4

### Models

- Standard
- Hold-open 90°

### Accessories

- Universal cover plate
  - Stainless steel
  - Satin brass
- Extended spindle insert,
  - ... mm extended
- Sealing compound

### Make

dormakaba BTS 65



Door  
Hardware



Electronic  
Access & Data



Mechanical  
Key Systems



Lodging  
Systems



Entrance  
Systems



Interior Glass  
Systems



Safe  
Locks



Service

## Our commitment to sustainability

At dormakaba, we are committed to sustainable development along our entire value chain.

To give quantified data on the environmental effects of a product and its ecological footprint, dormakaba provides Environmental Product Declarations (EPD). You can find our EPDs and further information on our commitment to sustainability [here](https://www.dormakaba.com/sustainability) or by scanning the QR code.

[www.dormakaba.com/sustainability](https://www.dormakaba.com/sustainability)



WN 05225851532, 11/22  
Subject to technical modifications without notice

**dormakaba**  
**International Holding AG**  
Hofwissenstrasse 24  
CH-8153 Rümlang

T: +41 44 818 90 11  
info@dormakaba.com  
www.dormakaba.com



dormakaba.com