

TS 97

Door closer



A perfect combination of form and function

With its new model TS 97, dormakaba is able to offer a very compact surface-mounted cam-action door closer available in the project sector. Single-piece face plates with internal end caps and uniform lengths of the door closer body and slide channel characterise the impressive design credentials of this product. Like all dormakaba cam-action door closers, the TS 97 features the proven heart-shaped cam for maximum user convenience based on minimum opening effort. With its compact dimensions, the TS 97 ideally complements the overall appearance of any door.

Certified to ISO 9001.

Benefits

For the trade

- One closer model for all applications to simplify materials management and stocking.
- Single pack for easy handling.

For the installer/fabricator

- Universally applicable on both LH and RH doors.
- Quick and easy to fix with mounting bracket.

For the architect/specifier

- High-quality architectural solution for superior interior designs.
- Uniform lengths of body and slide channel for enhanced harmony of appearance.
- Single-piece faceplate without slots or fixing points.

For the user

- High ease of use and fully controlled, reliable closing with adjustable latching action.
- Dead stop unit as standard to protect the wall and door.

F Approval certification

The dormakaba TS 97 is CERTIFIRE approved (Certificate No. CF 119) for door types ITT 120, MM/IMM 240.



The heart-shaped cam and linear drive mechanism of the TS 97 ensure that the resistance encountered decreases almost instantly with the door opening action – so even children, the elderly and people with disabilities have no problem in passing through. User-friendly and reliable closing is also ensured by the delayed increase in the actuating torque at the 'latching' end of the sweep.

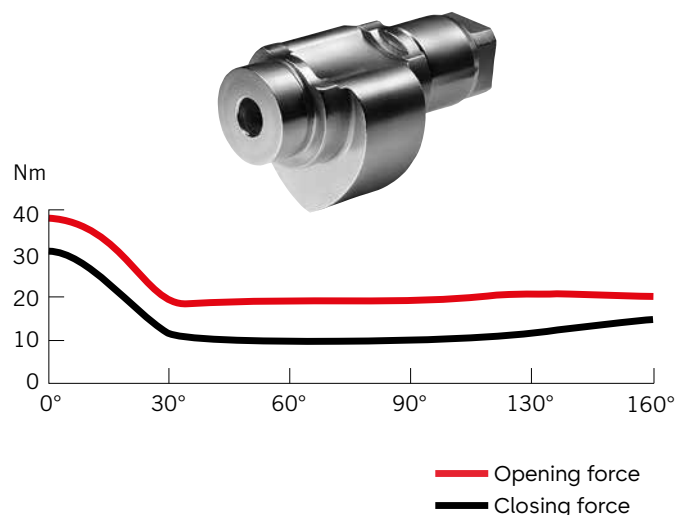
Data and features

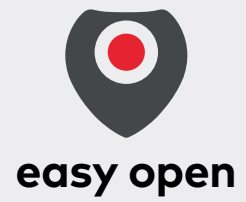
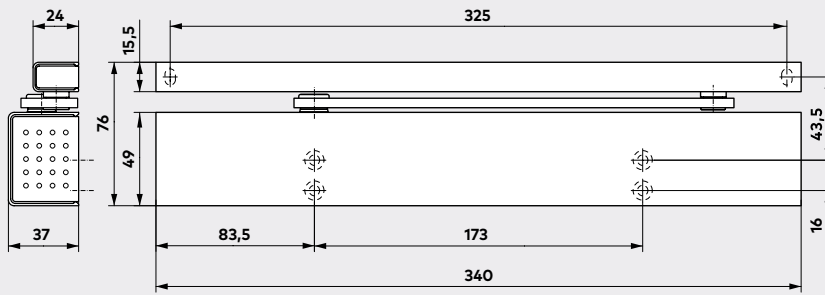
Data and features		TS 97
Closing force adjustable	Size	EN 2 – 4
Standard doors ¹⁾	≤ 1100 mm	●
External doors, outward opening ¹⁾		–
Fire and smoke check doors ¹⁾		●
Non-handed		●
Arm assembly	Slide channel	●
Closing speed adjustment by valve		●
Latching action adjustment by valve		●
Dead stop unit (mechanical)		●
Delayed action		–
Backcheck		–
Hold-open		○
Weight in kg		2.5
Dimensions in mm	Length	340
	Overall depth	37
	Height	49
Door closer compliant with EN 1154		●
CE- mark for construction products		●

● yes – no ○ option

¹⁾ In the case of particularly heavy doors and doors that have to close against wind pressure, we recommend the dormakaba TS 93.

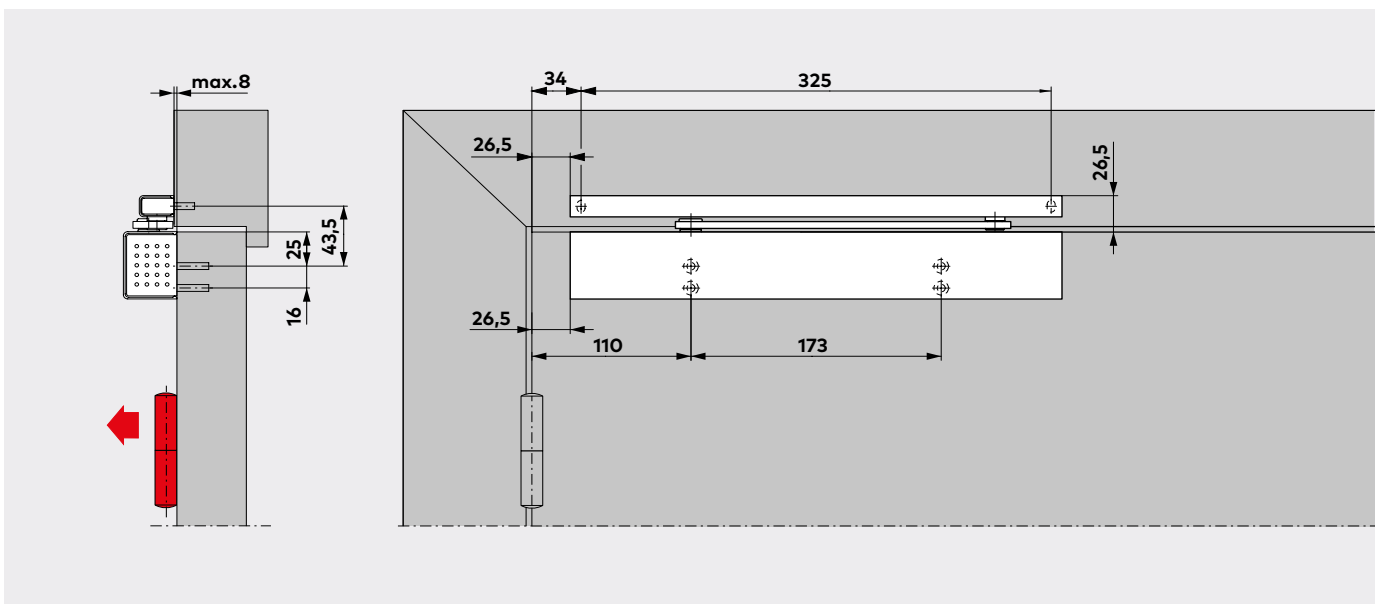
Force profile





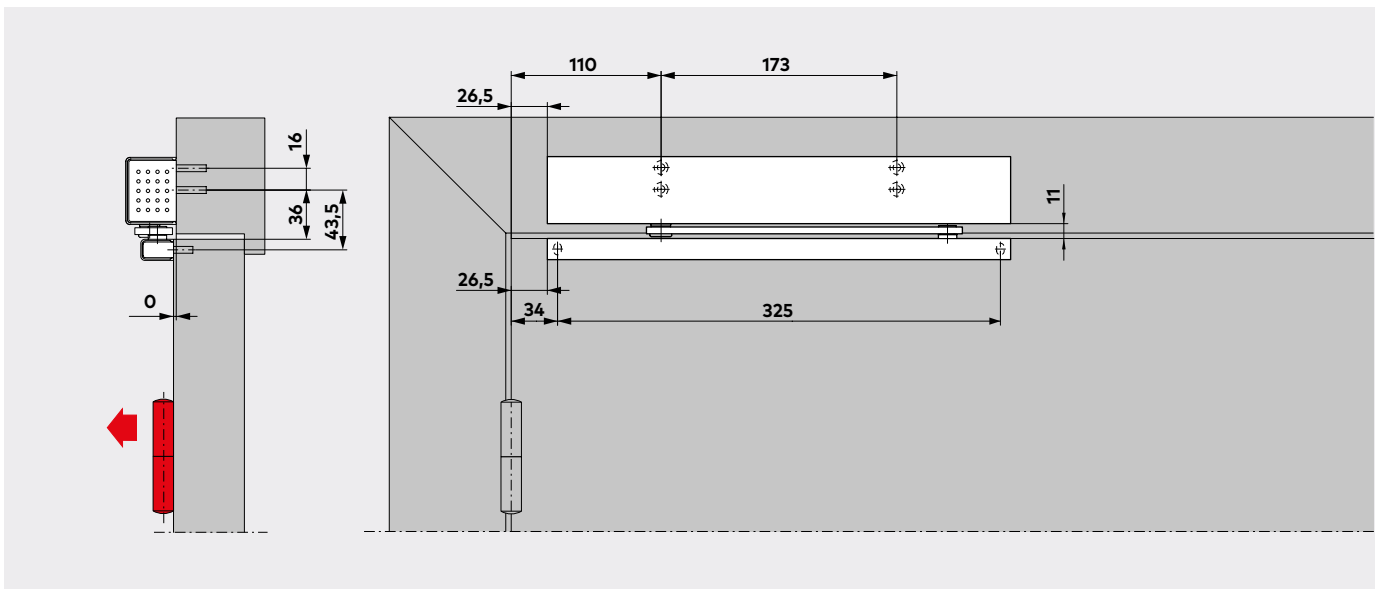
Door leaf fixing, pull-side

(example: LH/ISO 6 door; mirror image for RH/ISO 5 door)

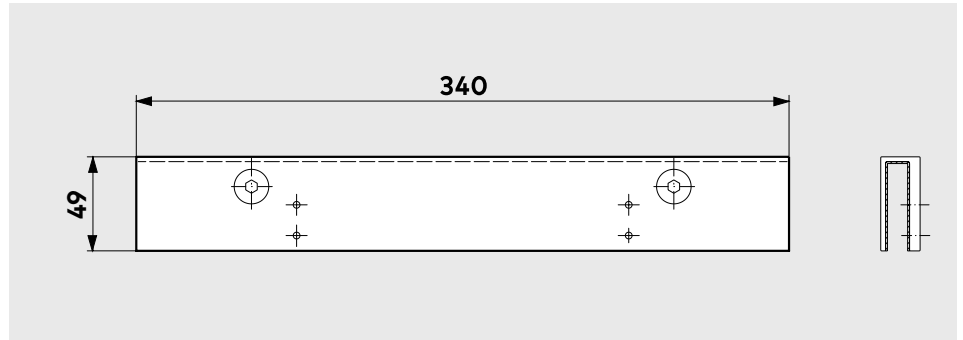
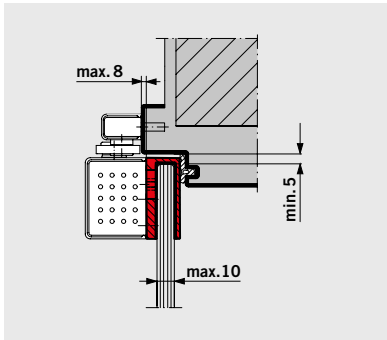


Transom fixing, pull side

(example: LH/ISO 6 door; mirror image for RH/ISO 5 door)







Accessories



Glass door shoe for TS 97

For fixing the closer to toughened glass doors – no glass drilling or recessing required.
The TS 97 with glass door shoe is to be used with dormakaba ARCOS Studio and ARCOS Office/Junior Office hinges.

Standard equipment and accessories

	TS 97 cam-action door closer	Mechanical hold-open device
	 Size EN 2 – 4	 13000100
Slide channel  130100xx	■	△
Glass door shoe  130002xx	△	

Order No.

- = Closer body with slide channel, complete
- △ = Accessory

Colour

- Silver
- White (sim. RAL 9016)
- Special colour

xx

- 01
- 11
- 09

Also available in "Design" finishes:
 Stainless steel "Design"
 Polished brass "Design"

* "Design" refers to the products' surface design

- 04
- 05

Specification text

Cam-action door closer in Contur Design with rapidly decreasing opening torque, conforming to EN 1154, carries the CE mark. Uniform lengths of door closer body and slide channel. Closing force EN 2 – 4, closing speed and latching action adjustable.

Non-handed. With standard slide channel and cushioned limit stay.

Accessories

- Mechanical hold-open device
- Glass door shoe

Colour

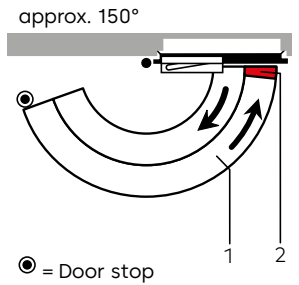
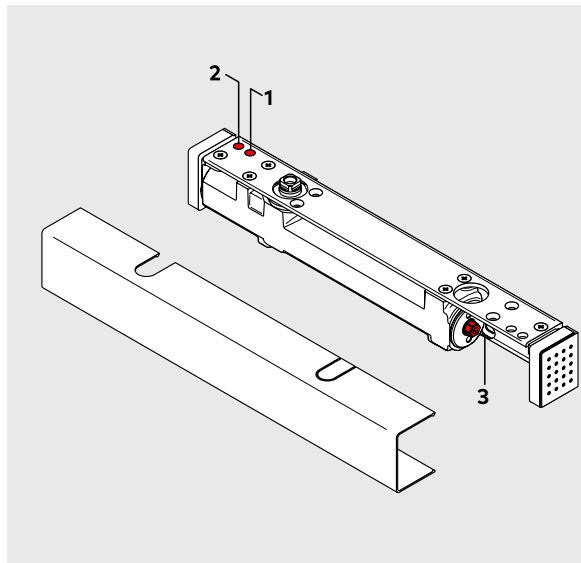
- Silver
- White (sim. to RAL 9016)
- Stainless steel „Design“
- Polished brass „Design“
- Special colour
(sim. to RAL_____)

Make

dormakaba TS 97

Standard and optional functions

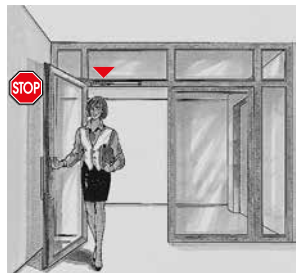
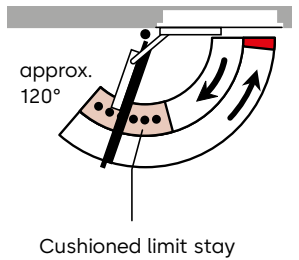
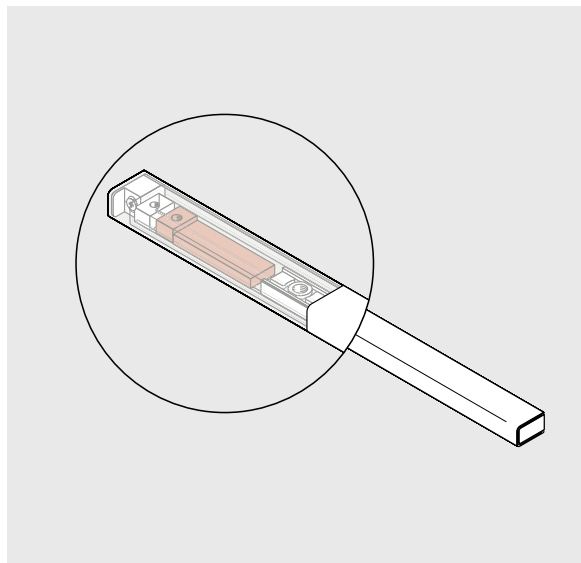
The functions of the TS 97 can be individually adjusted to each door situation and matched to varying requirements. The closer speed of the TS 97 can be infinitely adjusted by means of a valve, and there is a second valve for adjusting the latching action. The closing force is adjustable between EN 2 and 4 by means of a screw.



- 1 Infinitely adjustable closing speed in the range 150° – 0°.
- 2 Infinitely adjustable latching action in the range 7° – 0°.
- 3 Adjustable closing force.

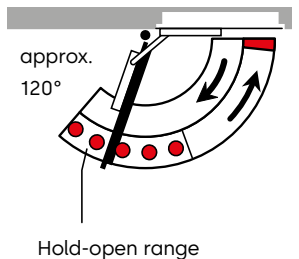
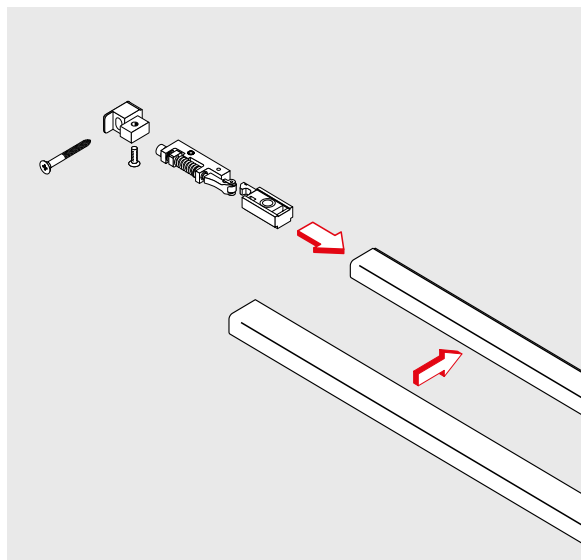
The integral cushioned limit stay of the TS 97 features progressive damping and helps to prevent a normally opened door from colliding with the adjacent wall. It can be adjusted to an opening angle between 80° and max. 120°.

The cushioned limit stay is not an overload protection device and in many cases is no substitute for a door stop.



The mechanical hold-open device enables doors to be held without fallback at an opening angle up to approx. 120°. The hold-open device is suitable for both LH and RH doors and is designed for retrofitting into the slide channel.

Not suitable for fire and smoke check doors.



Our Sustainability Commitment

We are committed to foster a sustainable development along our entire value chain in line with our economic, environmental and social responsibilities toward current and future generations. Sustainability at product level is an important, future-oriented approach in the field of construction. In order to give quantified disclosures of a product's environmental impact through its entire life cycle, dormakaba provides Environmental Product Declarations (EPD), based on holistic life cycle assessments.

www.dormakaba.com/sustainability



Our offering

Access Automation Solutions

Entrance Automation
Entrance Security



Access Control Solutions

Electronic Access & Data
Escape and Rescue Systems
Lodging Systems



Access Hardware Solutions

Door Closers
Architectural Hardware
Mechanical Key Systems



Services

Technical Support
Installation and commissioning
Maintenance and Repair



WN 05265251532, EN, 07/2023
Subject to change without notice



dormakaba.com

dormakaba
International Holding AG
Hofwissenstrasse 24
CH-8153 Rümlang
T +41 44 818 90 11
info@dormakaba.com
dormakaba.com