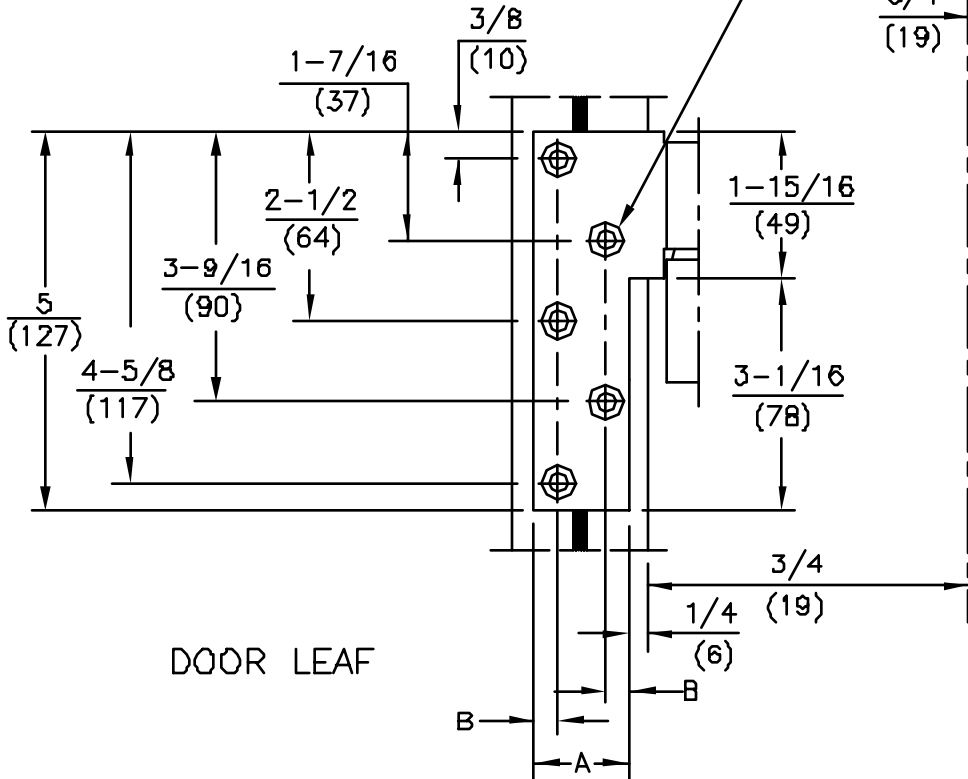


NOTES

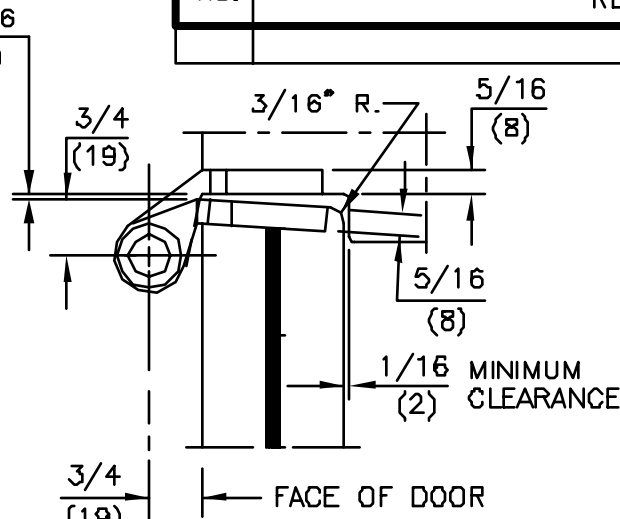
1. DO NOT SCALE DRAWING.
2. DIMENSIONS ARE IN INCHES/(MM).
3. RIGHT HAND DOOR SHOWN.
4. BEVEL HEEL EDGE OF DOOR 1/8" IN 2".
5. ALL NECESSARY REINFORCEMENT FOR PIVOT BY OTHERS.
6. FOR DOOR THICKNESS NOT LISTED USE NEXT SIZE SMALLER FOR PREPARATION.
7. TEMPLATE IS BASED ON THE ASSUMPTION THAT LEAD (BY OTHERS) IS PLACED IN CENTER OF DOOR.
8. FLUSH DOOR AND FRAME PREPARATION SHOWN. FOR 1/4-20 MACHINE SCREWS USE No.7 DRILL FOR No.14 WOOD SCREWS USE 5/32" DRILL

5 (FIVE) HOLES IN EACH LEAF



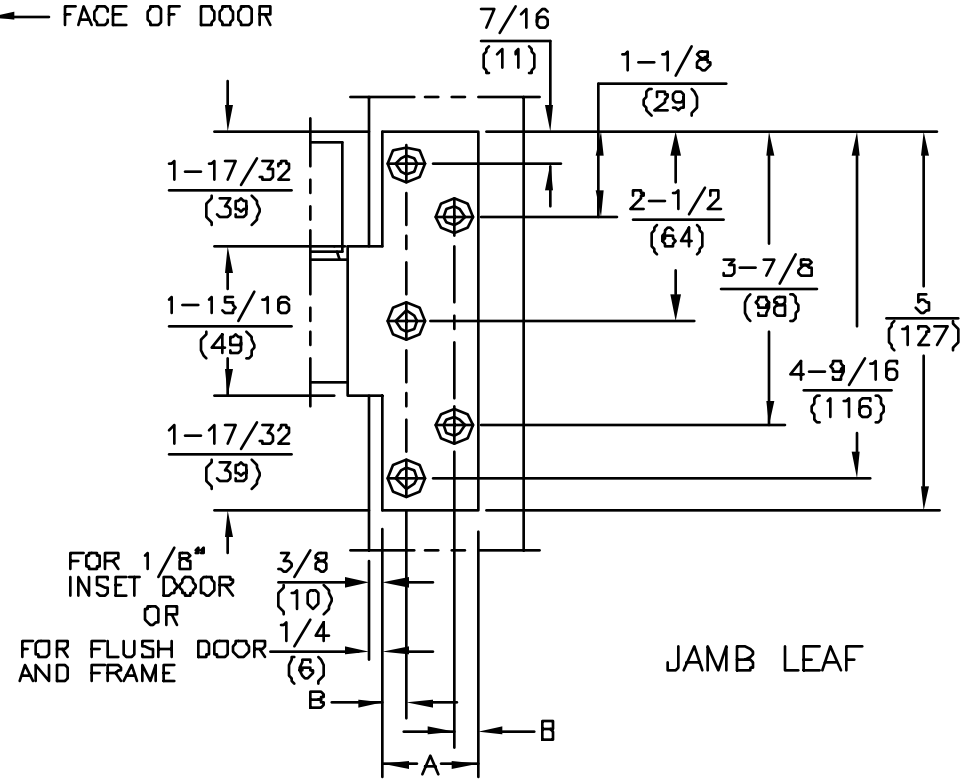
DOOR LEAF

No.	REVISIONS	DATE



DOOR THICKNESS	DIM "A"	DIM "B"
1-3/4"	1-1/4	1/4
2"	1-1/2	5/16
2-1/4"	1-3/4	5/16
2-1/2"	2	5/16
3"	2-7/16	5/16

FACE OF DOOR



JAMB LEAF

ALL SERIES: 75240, 75242, 75243
 3/4" OFFSET FULL MORTISE
 INTERMEDIATE PIVOT (HANDED)
 FOR LEAD LINED OR EXTRA HEAVY DOORS



DORMA Architectural Hardware
 REAMSTOWN, PENNSYLVANIA 17567
 TEMPLATE No. LM-37