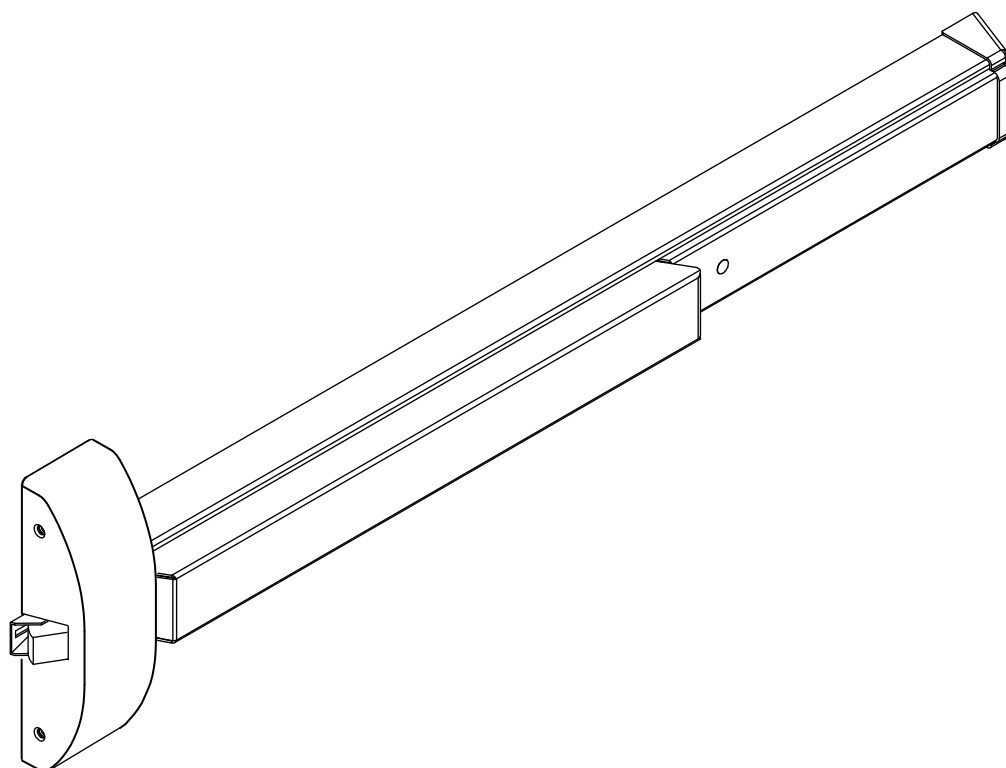


9300/F9300 SERIES RIM EXIT DEVICE

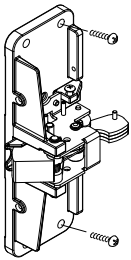


Index:

Screw chart	1
Tools required	2
Device installation	3-7
Options available	8-11
Spotting template	12

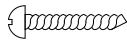
Note: One set of instructions should be left with building owner after device has been installed.

SCREW CHART



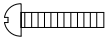
(4) 12-24 x 1" R.H.P.M.S. (Metal or Thru Bolts)

Chassis Mounting



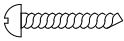
(4) #12 x 1 1/4" R.H.P.T.S. (Wood Door)

Chassis Mounting



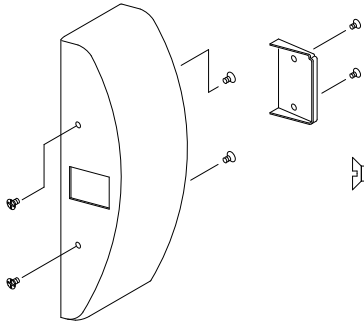
(2) 12-24 x 1" R.H.P.M.S. (Metal or Thru Bolts)

End Cap Bracket



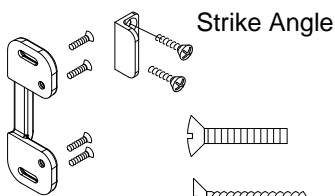
(2) #12 x 1 1/4" R.H.P.T.S. (Wood Door)

End Cap Bracket

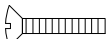


(6) 8-32 x 3/8" F.H.P.M.S.

Chassis Cover & End Cap

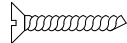


Strike Angle



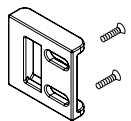
(6) 12-24 x 3/4" O.H.P.M.S. (Metal)

Strike Mounting



(6) #12 x 1" F.H.P.T.S. (Wood Door)

Strike Mounting



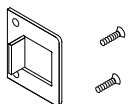
(2) 10-32 x 5/8" F.H.P.M.S. (Metal)

Strike Mounting



(2) #10 x 1" F.H.P.T.S. (Wood Door)

Strike Mounting



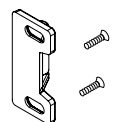
(2) 10-32 x 3/8" F.H.P.M.S. (Metal)

Strike Mounting



(2) #10 x 1" F.H.P.T.S. (Wood Door)

Strike Mounting



(2) 10-32 x 5/8" F.H.P.M.S. (Metal)

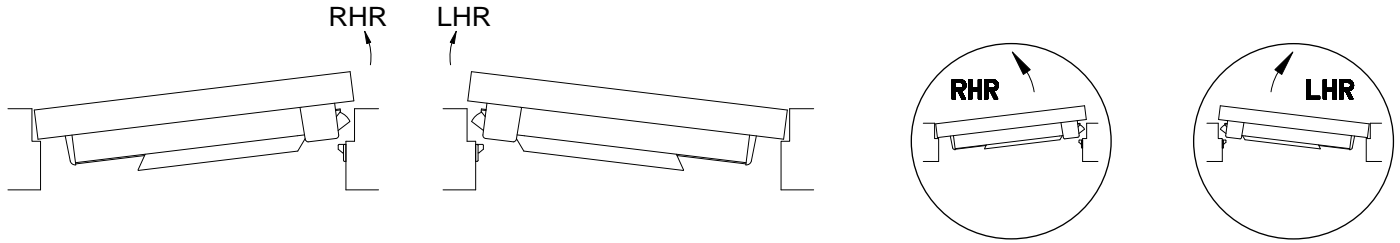
Strike Mounting



(2) #10 x 1" F.H.P.T.S. (Wood Door)

Strike Mounting

HANDING OF DOOR



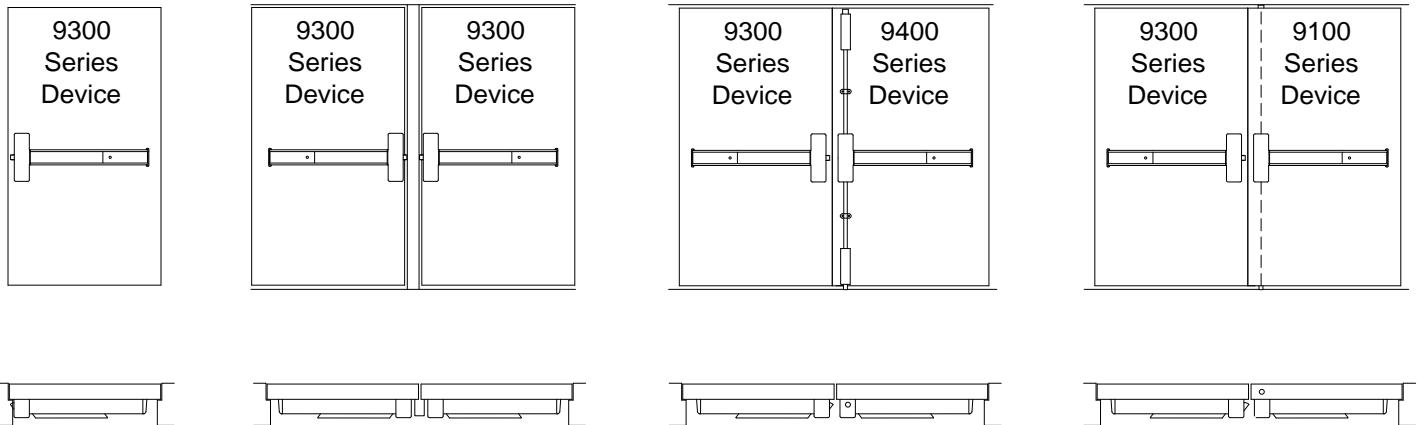
Read the entire instruction sheet prior to installation.

Before Installing Hardware:

1. Door should be fitted and hung.
2. Verify door width, handing and product with carton label for correct exit device and length. (See Step 7)
3. For hand reversal of outside lever trim see Step 4. Additional instruction sheet also packaged with trim.

Note: If device is to be installed over glass lite panels, shim kit may be required, order No. GK9000.

TYPICAL APPLICATIONS



SPECIAL TOOLS FOR INSTALLATION

12-24 Tap, 10-32 Tap

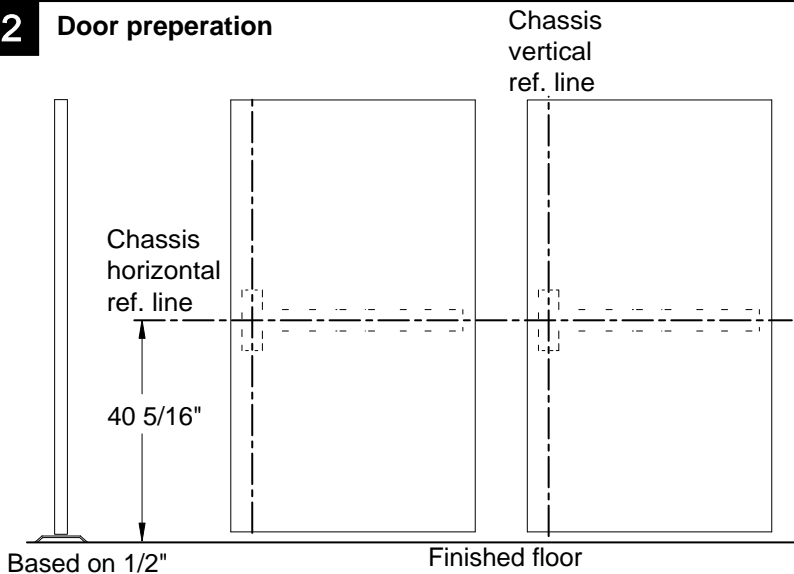
Drill bits: 1/8", #25, #16, #21 & 3/8"

Hole saws: 1", 1 1/4", & 2 1/8" diameter for trim (if required).

Jig saw or router may be required for thumbpiece trims.

1 Open box, layout all parts and verify prior to starting installation. See page (1) one for parts.

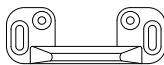
2 Door preparation



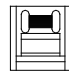
Based on 1/2" threshold and 3/16" clearance between threshold and door after door is hung.

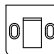
Shims Supplied With Strikes, But May Not Be Required.

Strikes

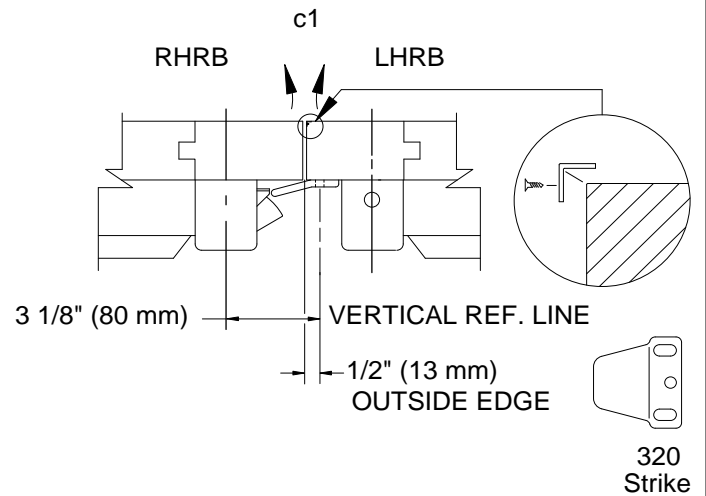
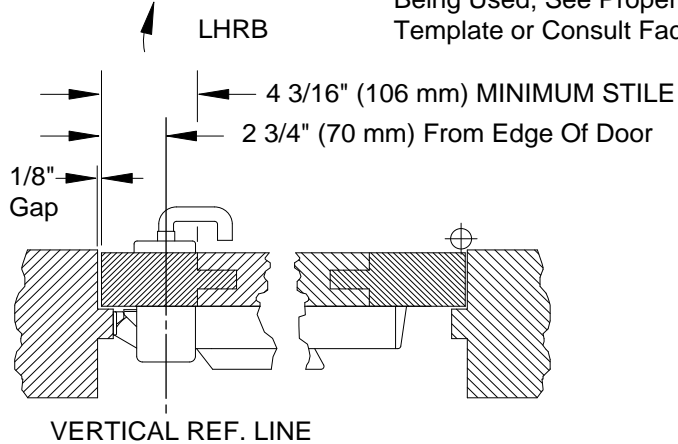
463  Standard

486  Optional Roller

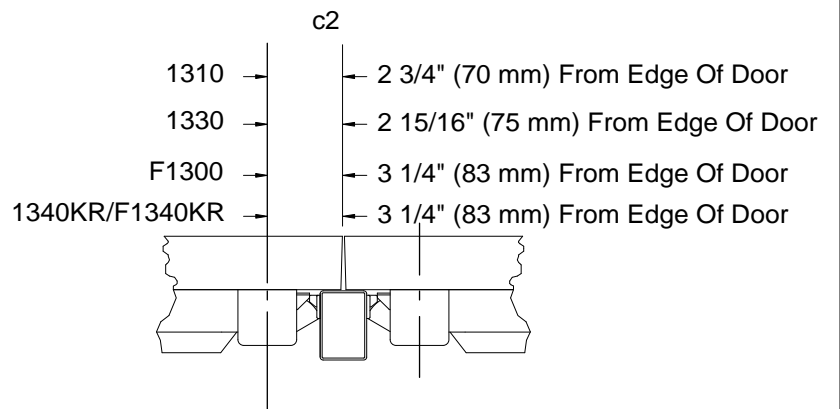
430  Optional Box Backset 2 1/16" if using "cutout" blade stop, stop may or maynot have to be cut.

443 

b1
Backset Based On 5/8" Stop And May Vary On Strike Being Used; See Proper Template or Consult Factory.

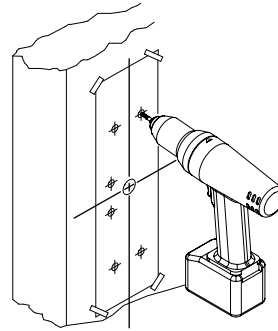
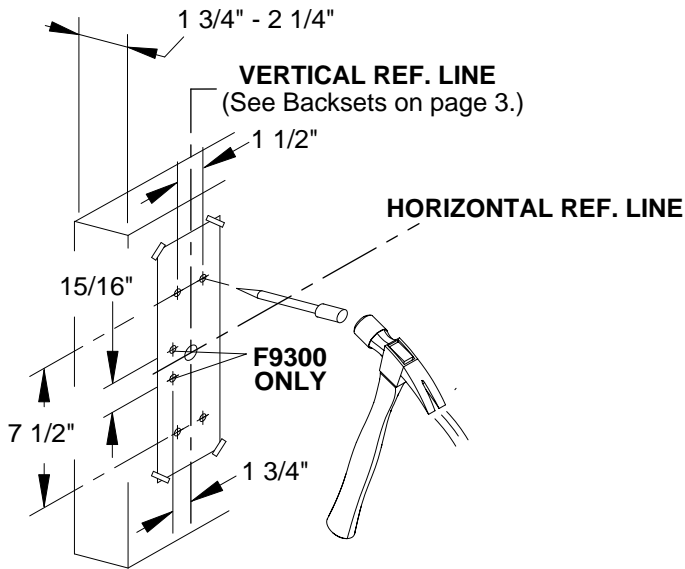


MULLIONS

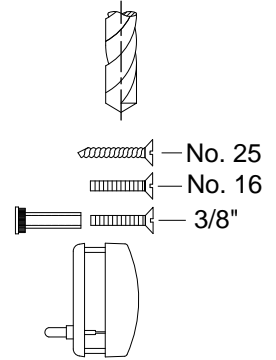


3 If not done layout device on door using drilling template T9300 located at rear of booklet. For additional templates contact DORMA at 1-800-523-8483 or www.dorma-usa.com

Refer to carton label for model and trim number prior to drilling.
Prepare mounting holes and cut-outs per template.



Verify all holes prior to drilling.



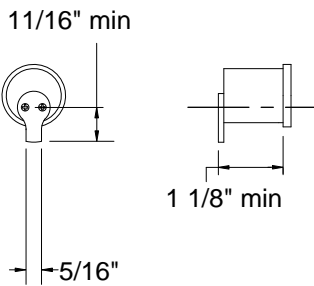
4 Handing change of trim, cylinder specifications and installation.

Note: For specific trim functions, cylinder type, and handing information; see additional instructions packed with trim.

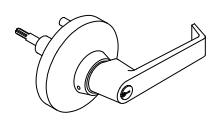
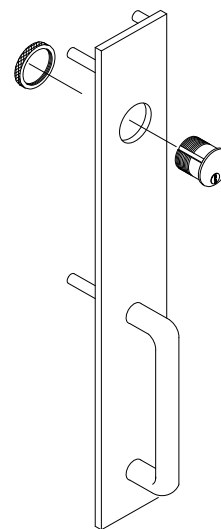
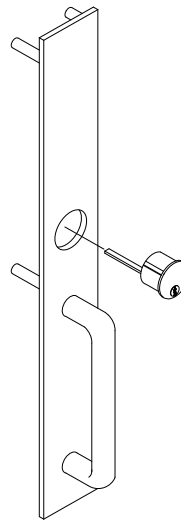
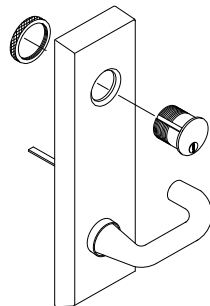
Standard "V" Trim

Standard "T" Trim

Standard "R" Trim



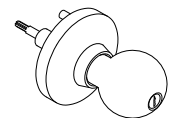
Standard "Y" Trim



Standard "C" Trim



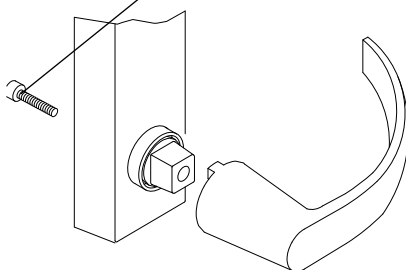
Standard "K" Trim



Note: Spindle must be installed with pin in the vertical position as shown on 08 & 09 functions.



Tighten Securely

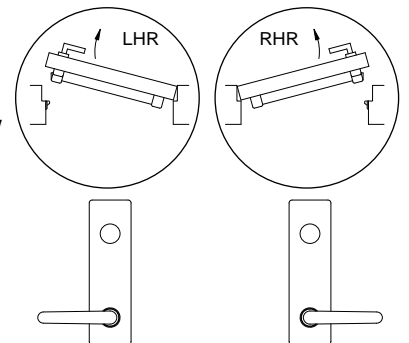


All trims are free wheeling.
(Handle will rotate when locked.)

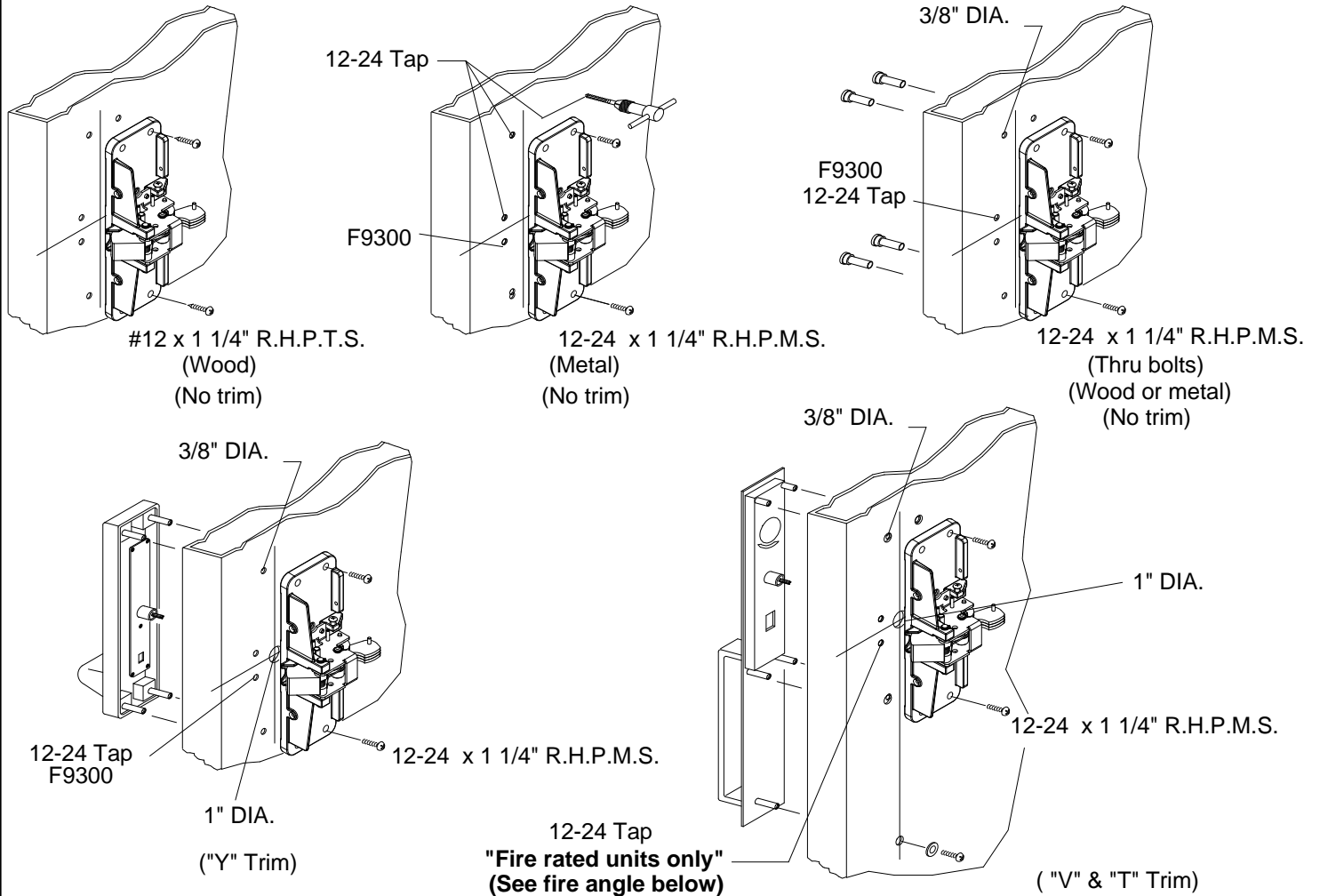
IMPORTANT

Note: All lever handles except for "clutch" are shipped unattached. To install; **Place handle in desired position and attach with allen screw located in back of trim plate. 5/32"**

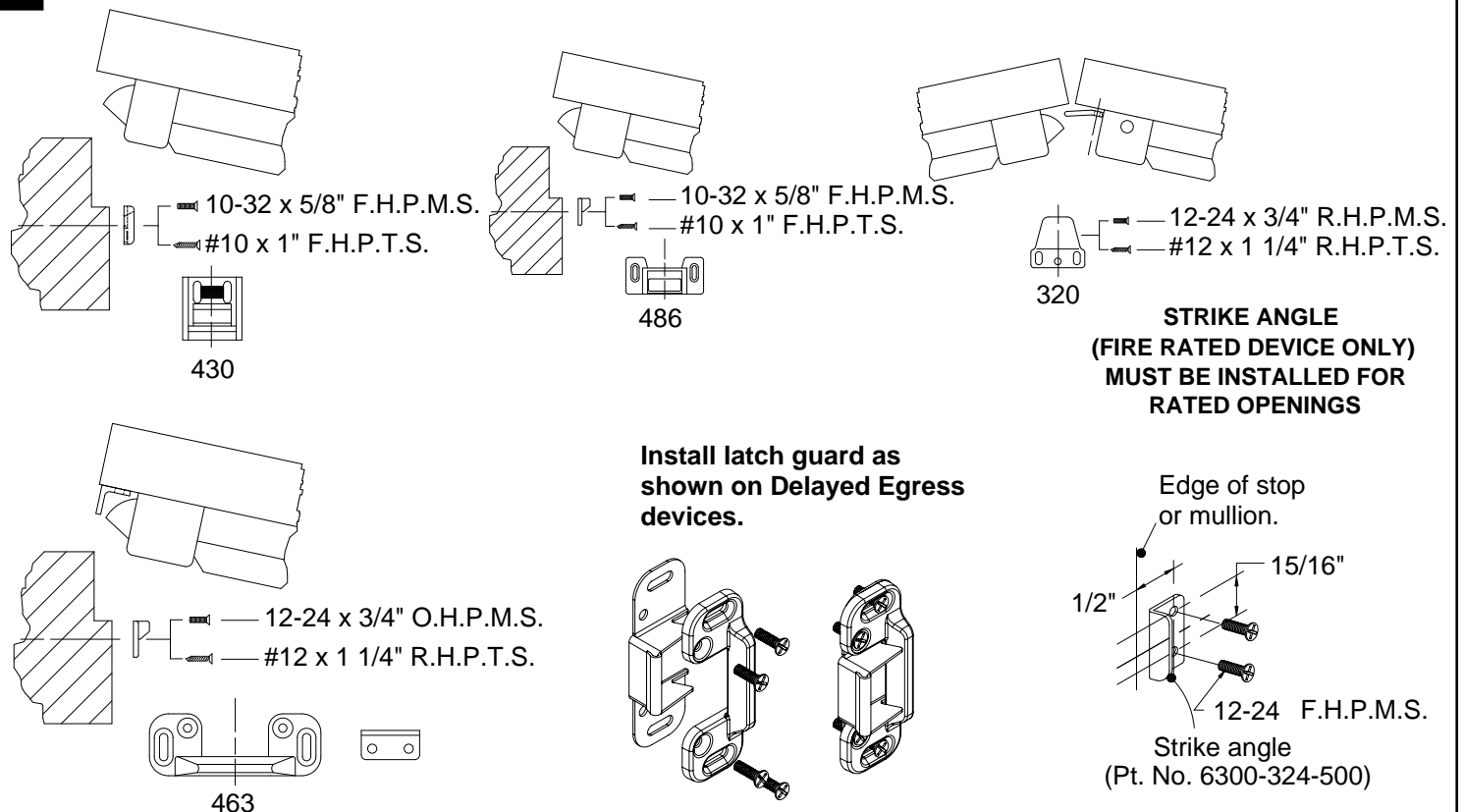
Allen wrench required.
To change hand on "clutch" trim rotate and "break" lever around to desired hand.



5 Secure chassis to door per below, if using GK9000, install shims under chassis at this time.



6 Install strike per details below using proper fasteners.



7 Prepare to install touch and rail on door.

NOTE: All dimensions are based on 5/8" stop height; Verify strikes, stile width, any trim and stop height prior to making any cuts. If cutting is required follow instructions below.

Size A:

Fits 48" door opening without cutting.

Can be cut to fit a 34" minimum door opening.

Size B:

Fits 36" door opening without cutting.

Can be cut to fit a 28" minimum door opening.

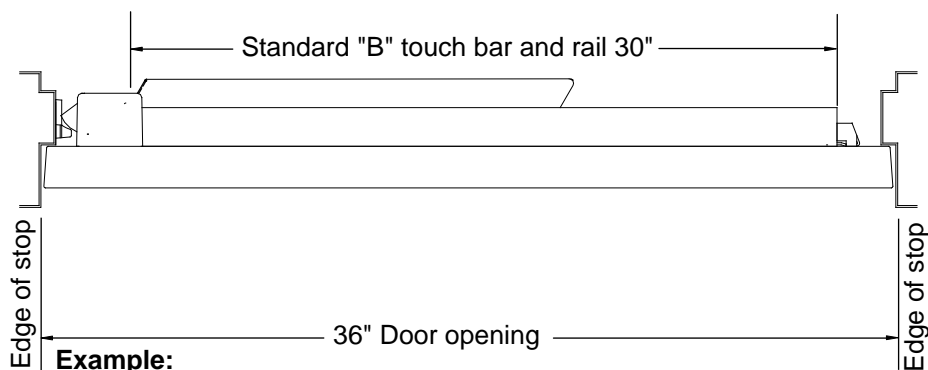
Size C:

Fits 36" door opening with out cutting.

Using a shorter touch pad then the standard "B" size allows it to be cut to 25" door opening.

Note: Models with prefix options such as "ES", "DE" etc. may not be cut down to minimums shown to left. Consult factory or catalog for details.

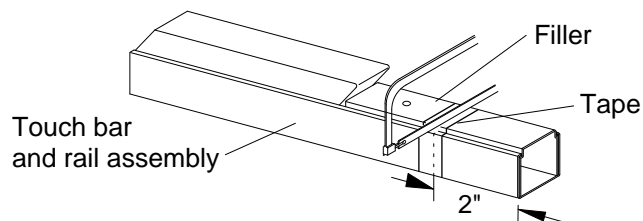
Verify device length with box label; "A", "B" or "C", ie. 9300B



NOTE: If carton label list prefix; "ES", "MS", "LM", "BPA", "BPAR", "DWA", "LM/MS/BP" or "CD" prefix see Options pages at rear.

Example:

Note: If door opening width is less then standard touch bar will have to be cut down. ie: door opening width 34" subtract 2" from rear of touch bar and rail, tape and cut to length as shown.



IMPORTANT

Use caution when cutting touchbar and rail to size on models with "ES", "MS", "LM" or "DWA" prefix options. These units contain internal wiring.

For models with prefix options "BPA", "BPAR" or "DE" remove filler containing electronics before cutting.

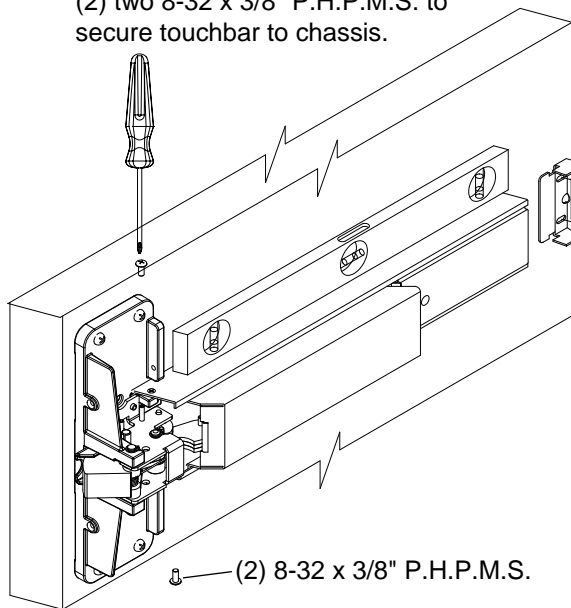
8 Install touch bar and rail assembly and end cap to door.

Remove two 8-32 screws from chassis, slide touch bar and rail assembly under rear of chassis. **Note: If device has prefix "ES" ensure that pins in lever bolt align with slots in actuator located inside nose of touch bar.** See instruction sheet IES-7 packed with device. Install (2) two 8-32 x 3/8" P.H.P.M.S. to secure touchbar to chassis.

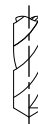
"Remove protective covering from the touchbar and rail assembly prior to installing on door."

Hold rear mounting bracket tightly against door and rear of rail. Mark (2) two holes and drill per chart. Secure with proper fasteners.

Bracket should be flush against door and tight against rear of rail.



(2) 8-32 x 3/8" P.H.P.M.S.



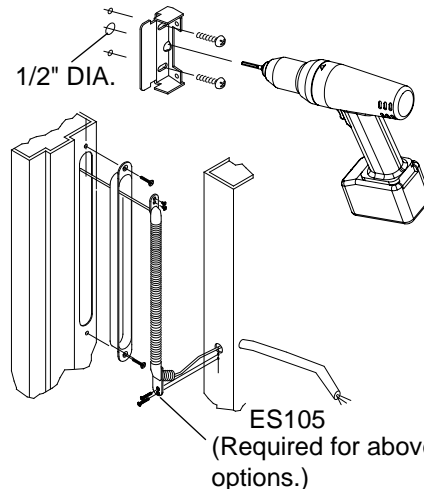
1/8" Drill 1" Deep (Wood)

No. 16 Drill - 12-24 Tap (Metal)

3/8" Dia. (Thru bolts)

Metal/thru-bolts - (2) 12-24 x 1" F.H.P.M.S.
Wood - (2) #12 x 1 1/4" F.H.P.T.S.

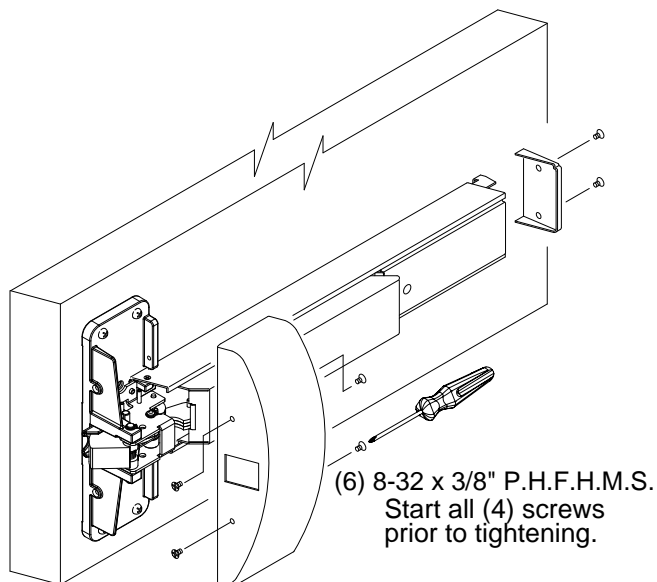
For the following models prefixes: "ES", "MS", "LM" or "DWA" drill an additional 1/2" diameter hole as shown. See options pages at rear for additional information.



1/2" DIA.

ES105
(Required for above options.)

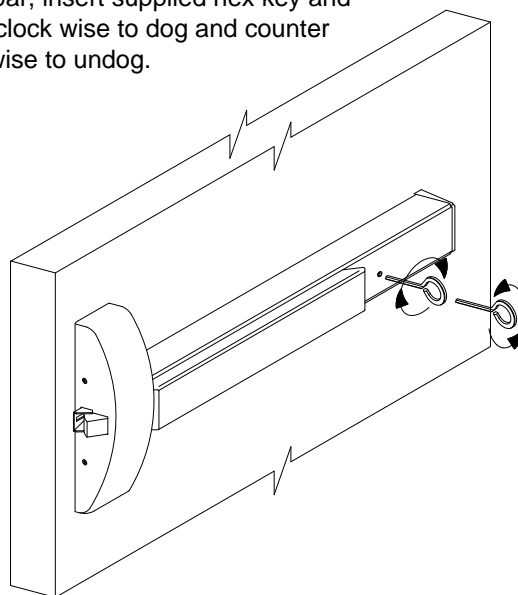
9 Install center case cover and end cap.



(6) 8-32 x 3/8" P.H.F.H.M.S.
Start all (4) screws prior to tightening.

10 Check dogging operation (if equipped).

Standard hex key dogging, depress touch bar, insert supplied hex key and rotate clock wise to dog and counter clock wise to undog.



General Maintenance Notes:

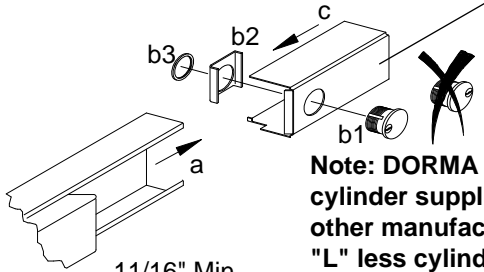
The DORMA 9000 series exit devices are designed to give years of trouble free service, however depending on installation, location, climate conditions etc.: routine maintenance is recommended in all latch bolt locations. The device should be periodically cleaned and re-lubricated with Dura-Lube to ensure proper function and operation of all moving parts.

OPTIONS

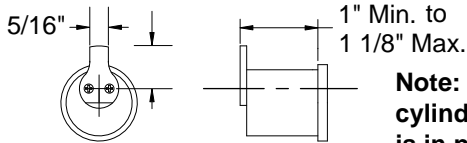
"CD" (CYLINDER DOGGING) OPTION:

Cylinder dogging installation instructions & cylinder specifications.

NOTE: Touch bar must be in dogged down position, to remove the rear filler panel.

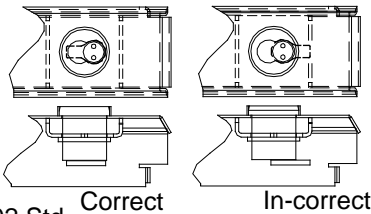


Note: DORMA mortise cylinder supplied. To use other manufacture cylinders, "L" less cylinder is available.



Note: When using IC core cylinders, ensure that cam is in proper position prior to installing the new core.

Useable Cams	
Arrow	001
Assa	Std. (Yale)
Best	C136
Corbin/Russwin	A02
Falcon	12667-3
DORMA	10
Ilco/Unican	SC1
Lori	SC1 4200-82-2002 Std.
Sargent	13-0664 or 13-0660
Schlage	001
Yale	2160

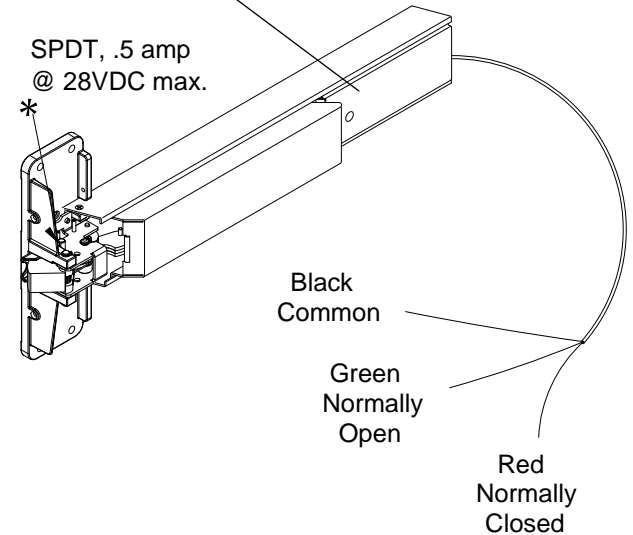


"LM" (LATCH MONITOR) OPTION:

Latch monitor: Monitors movement of latch bolt, with or without depressing of touch bar.
Can be wired normally open or normally closed.

NOTE: Touch bar must be in dogged down position, to remove the rear filler panel.

***NOTE: Use caution when cutting touch bar and rail to length.**



"BPA" & "BPAR" (ALARM) OPTION: (STANDARD INSTALLATION)

BPA: Battery powered alarm, sounds continuous or until disarmed.

BPAR: Battery powered alarm, sounds for 4 minutes, automatically resets.

"Alarm mode set at factory."

SIZE A:

Will fit 48" (1219 mm) door opening without cutting.
Can be cut to fit a 39" (991 mm) minimum door opening.

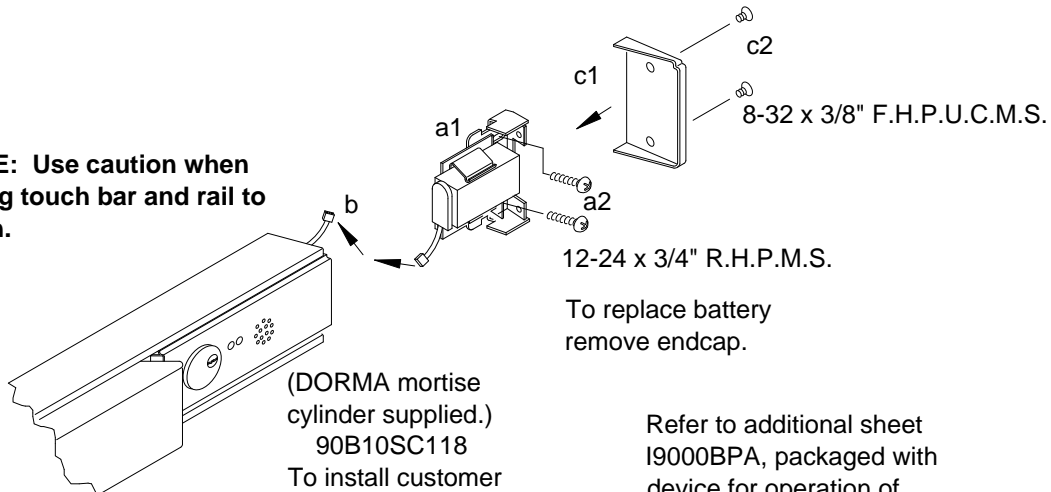
SIZE B:

Will fit 36" (914 mm) door opening without cutting.
Can be cut to fit a 33" (838 mm) minimum door opening.

SIZE C:

Will fit 36" (914 mm) door opening without cutting.
Can be cut to fit a 30" (762 mm) minimum door opening.

***NOTE: Use caution when cutting touch bar and rail to length.**



(DORMA mortise cylinder supplied.)
90B10SC118
To install customer supplied cylinder, see cylinder dogging option at top of page.

To replace battery remove endcap.

Refer to additional sheet I9000BPA, packaged with device for operation of alarmed exit device.

OPTIONS

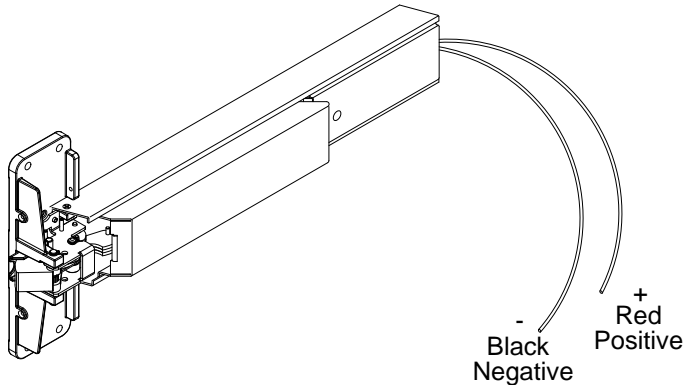
"ES" (ELECTRIC LATCH RETRACTION) OPTION:

Electrically retracts latchbolt(s)
when energized by power supply.

REQUIRES DORMA PS-501 POWER SUPPLY
AND ES105 POWER TRANSFER. WARRANTY
VOID IF AN OTHER SUPPLY IS USED.

PS-501 Will operate (2) "ES" 9300 exit
devices. By adding a second "ES2" logic card,
(2) additional "ES" 9300 exit devices may be used.

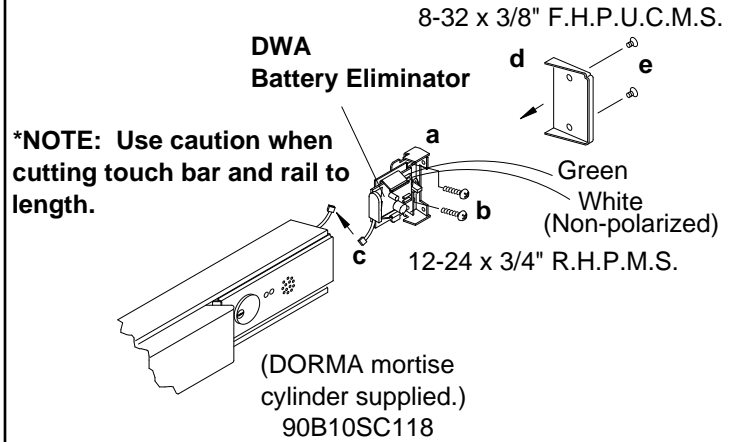
***NOTE:** Use caution when
cutting touch bar and rail to
length.



Maximum Wire Length From Power Supply To Device In Feet x Wire Gage/Size *				
WIRE	18AWG	16AWG	14AWG	12AWG
FEET	25	50	75	100

"DWA" (DIRECT WIRED ALARM) OPTION:

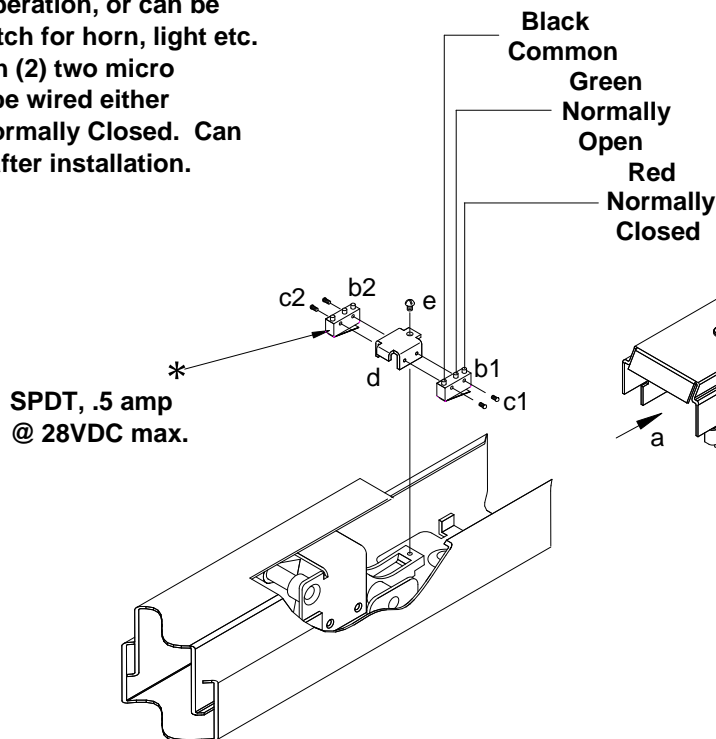
Connected to outside power source.
12-24 Volt AC/DC Power Supply.
i.e. DORMA ES100
Contact DORMA for other power
supplies available.



***NOTE:** Use caution when
cutting touch bar and rail to
length.

"MS" (MICRO SWITCH) OPTION:

"MS" option allows monitoring of touch
bar during normal operation, or can be
used as a signal switch for horn, light etc.
Comes standard with (2) two micro
switches. Both can be wired either
Normally Open or Normally Closed. Can
be added to device after installation.



NOTE: Touch bar must
be in dogged down po-
sition, to remove the
rear filler panel.

***NOTE:** Use caution when
cutting touch bar and rail to
length.

OPTIONS

"MD" (MAGNETIC DOGGING) OPTION:

Electrically dogs touch bar when energized by power supply, then depressed. Releases upon interruption of power.

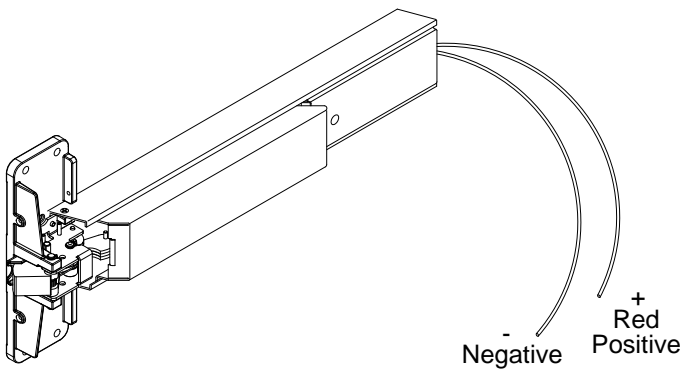
.25 AMP CURRENT DRAW @ 24VDC

REQUIRES DORMA PS-545 POWER SUPPLY CAPABLE OF POWERING 1 - 4 "MD" DEVICES. THE USE OF A POWER TRANSFER (ie ES105) OR AN ELECTRIC HINGE IS RECOMMENDED.

FITS "STANDARD" TOUCH BAR AND RAIL ASSEMBLIES ON BOTH THE 5000 AND 9000 SERIES EXIT DEVICES. NOT AVAILABLE ON DEVICES SUCH AS "ES", "DE", "AL" ETC.

***NOTE: Use caution when cutting touch bar and rail to length.**

MAXIMUM HOLDING FORCE 40# - 60#. IMMEDIATE RELEASE UPON REMOVAL OF POWER.



Maximum Wire Length From Power Supply To Device In Feet x Wire Gage/Size *				
WIRE	18AWG	16AWG	14AWG	12AWG
FEET	25	50	75	100

* For wiring to electric hinge or power transfer.

Note: Wire run is from supply to device and back to the supply.

OPTIONS

"DE" (DELAYED EGRESS) OPTION:

Note: Refer to DE9000 Series Installation Instructions for additional instructions for installation and operation of the "Delayed Egress" exit device.

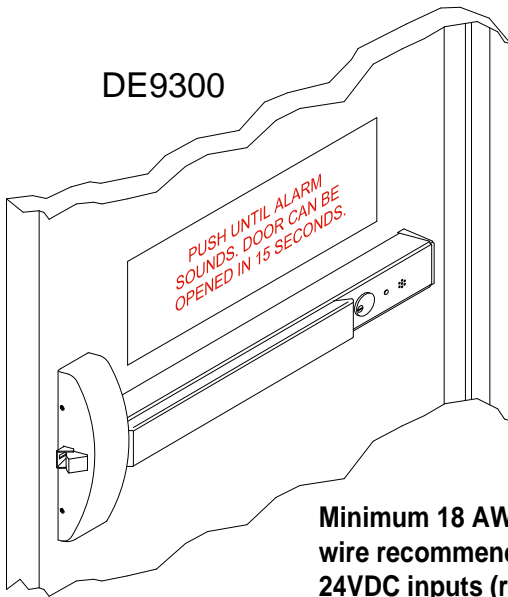
- 85 Decibel Alarm - Standard
- LED Status Indicator - Standard
- Nuisance Alarm - Standard
- Key Switch Control - Standard
- Remote Authorized Egress - Standard
- Remote Re-Arm - Standard
- Remote Bypass - Standard
- Door Position Input - Standard, DIP Switch Setting
- Auto Reset or Manual Reset, DIP Switch Setting
- Auto - Standard (Manual - in CA)
- Additional Form "C" Relays For Optional Horn etc.
(Rated 1 amp @ 30 vdc)

**REQUIRES DORMA
ES-100 24 VDC POWER SUPPLY.
One supply per device unless the
optional ES101 Time Delay is used
to sequence the arming of the two
devices.**

Easily accessible slide in and out electronics.
Meets UL & ANSI/BHMA requirements.

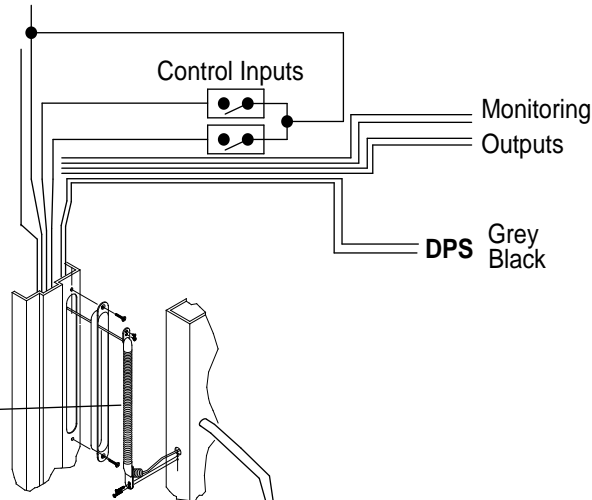
- SIZE A:**
Will fit 48" (1219 mm) door opening without cutting.
Can be cut to fit a 40 1/2" (1029 mm) minimum door opening.
- SIZE B:**
Will fit 36" (914 mm) door opening without cutting.
Can be cut to fit a 34 1/2" (876 mm) minimum door opening.

**NOTE: Some CA Codes may require
different verbiage; check local code re-
quirements prior to installing decal.**



**Minimum 18 AWG
wire recommended for
24VDC inputs (red &
black) leads.**

**DORMA ES105
(Power Transfer
"Required")**



(12) Wire Connection
Bundle 22" in length.

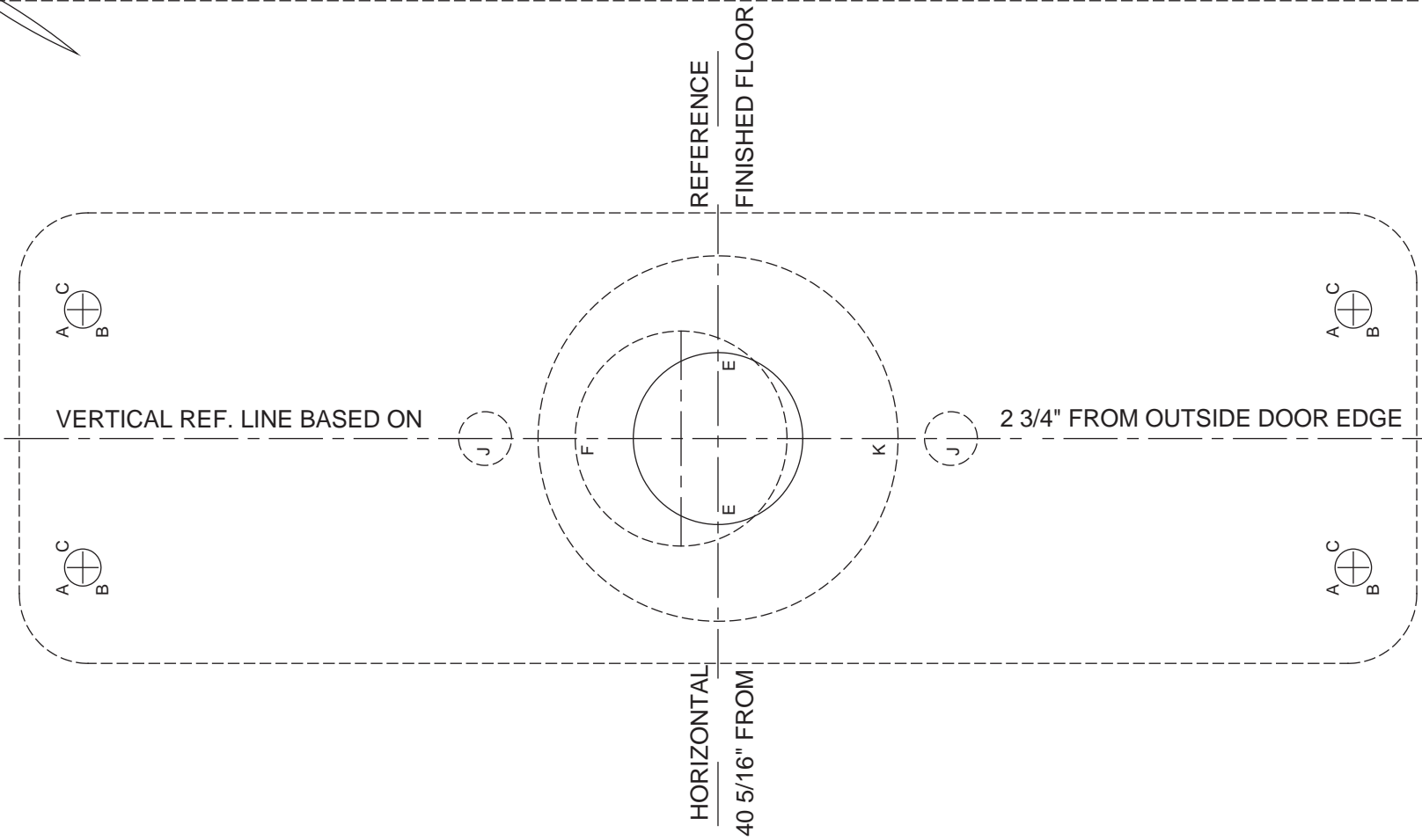
Maximum Wire Length From Power Supply To Device & Back To Supply In Feet x Wire Gage/Size				
WIRE	18AWG	16AWG	14AWG	12AWG
FEET	25	50	75	100

* For 24VDC inputs only (red & black wires).

**Note: Wire run is from supply to device
and back to the supply.**

- BLACK: (-) 24VDC IN
- RED: (+) 24VDC IN
- WHITE: AUTHORIZED EGRESS/AUTO RESET
- ORANGE: BYPASS/RE-ARM
- GREY: DPS N/C
- VIOLET: ALARM RELAY COMMON
- GREEN: RED OUTPUT EMITTER
- BROWN: RED OUTPUT COLLECTOR
- BLUE: GREEN OUTPUT EMITTER
- YELLOW: GREEN OUTPUT COLLECTOR
- PINK: ALARM RELAY N/C
- TAN: ALARM RELAY N/O

**INSIDE DOOR PREP
(VERTICAL REFERENCE)**



DRILL CHART



- A 1/8" (3 mm) DIA. DRILL 1" (25 mm) DEEP
- B NO. 14 DRILL 12-24 TAP
- C 3/8" (10 mm) DIA. THRU

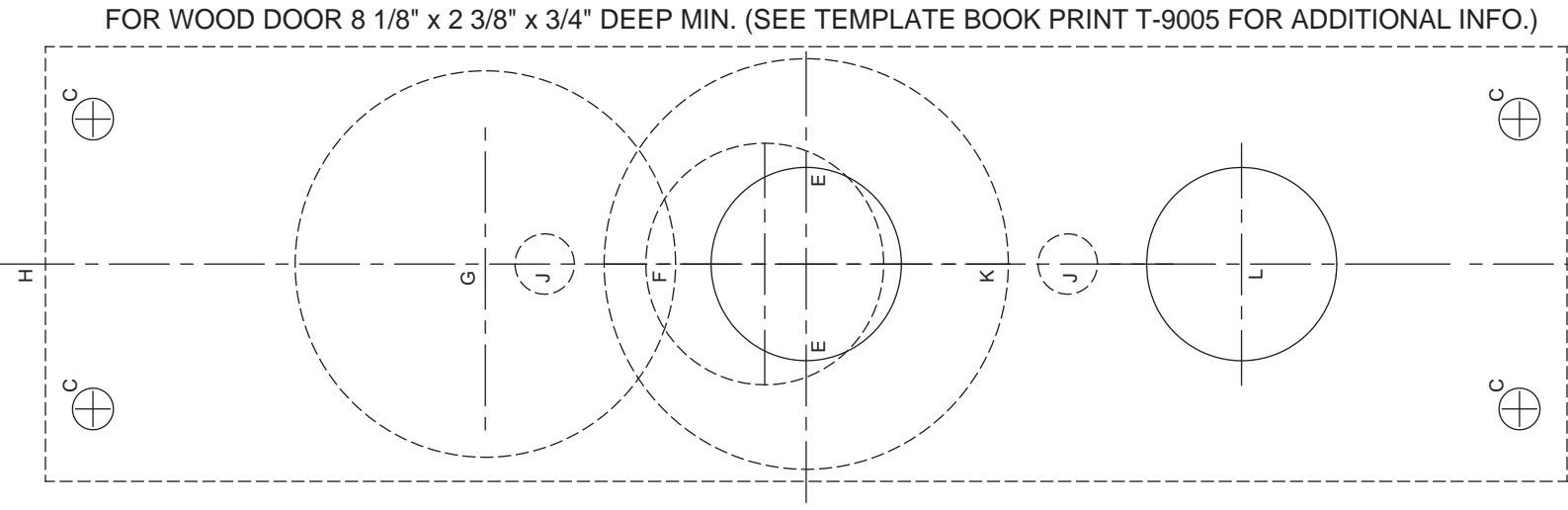
- C 3/8" (10 mm) DIA. THRU
- E 1" (25.4 mm) DIA. THRU FOR "08" FUNCTION
- F 1 1/4" (32 mm) DIA. THRU FOR "03" FUNCTION

- C 3/8" (10 mm) DIA. THRU
- E 1" (25.4 mm) DIA. THRU FOR "05" FUNCTION
- F 1 1/4" (32 mm) DIA. THRU FOR "03" FUNCTION
- D 1/2" (13 mm) DIA. THRU

- J 5/16" (8mm) DIA. THRU DOOR - C08, R08 & K08
- K 2 1/8" (54mm) DIA. THRU DOOR - C08, R08 & K08
- B NO. 14 DRILL 12-24 TAP



**OUTSIDE DOOR PREP
(VERTICAL REFERENCE)**



DRILL CHART



- C 3/8" (10 mm) DIA. THRU

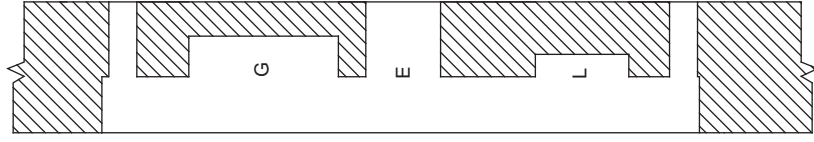
- C 3/8" (10 mm) DIA. THRU
- G 2 1/8" - 2 1/4" DIA. OUTSIDE FACE "08" FUNCTION
- E 1" (25.4 mm) DIA. THRU FOR "08" FUNCTION
- F 1 1/4" (32 mm) DIA. THRU FOR "03" FUNCTION

- C 3/8" (10 mm) DIA. THRU
- F 1 1/4" (32 mm) DIA. THRU FOR "03" FUNCTION
- H 2 3/8" (60 mm) x 8 1/8" (206 mm) CUTOUT OUT-SIDE FACE ONLY FOR "05" & "22" FUNCTION
- L 1 1/4" DIA. FOR THUMPIECE CLEARANCE
- D 1/2" (13 mm) DIA. THRU

- J 5/16" (8mm) DIA. THRU DOOR - C08, R08 & K08
- K 2 1/8" (54mm) DIA. THRU DOOR - C08, R08 & K08



For Wood or Composite Doors;
8 1/8" x 2 3/8" x 3/4" Deep Min. Cut
Out. (Outside Face)
DO NOT CUT THROUGH DOOR!
(G) 2 1/8" Dia. Min. Hole x 1 1/4" Deep As Shown
(E) 1" Dia. Min. Hole Thru As Shown
(L) 1 1/4" Dia. Hole x 1" Deep As Shown



FOR WOOD DOOR 8 1/8" x 2 3/8" x 3/4" DEEP MIN. (SEE TEMPLATE BOOK PRINT T-9005 FOR ADDITIONAL INFO.)

