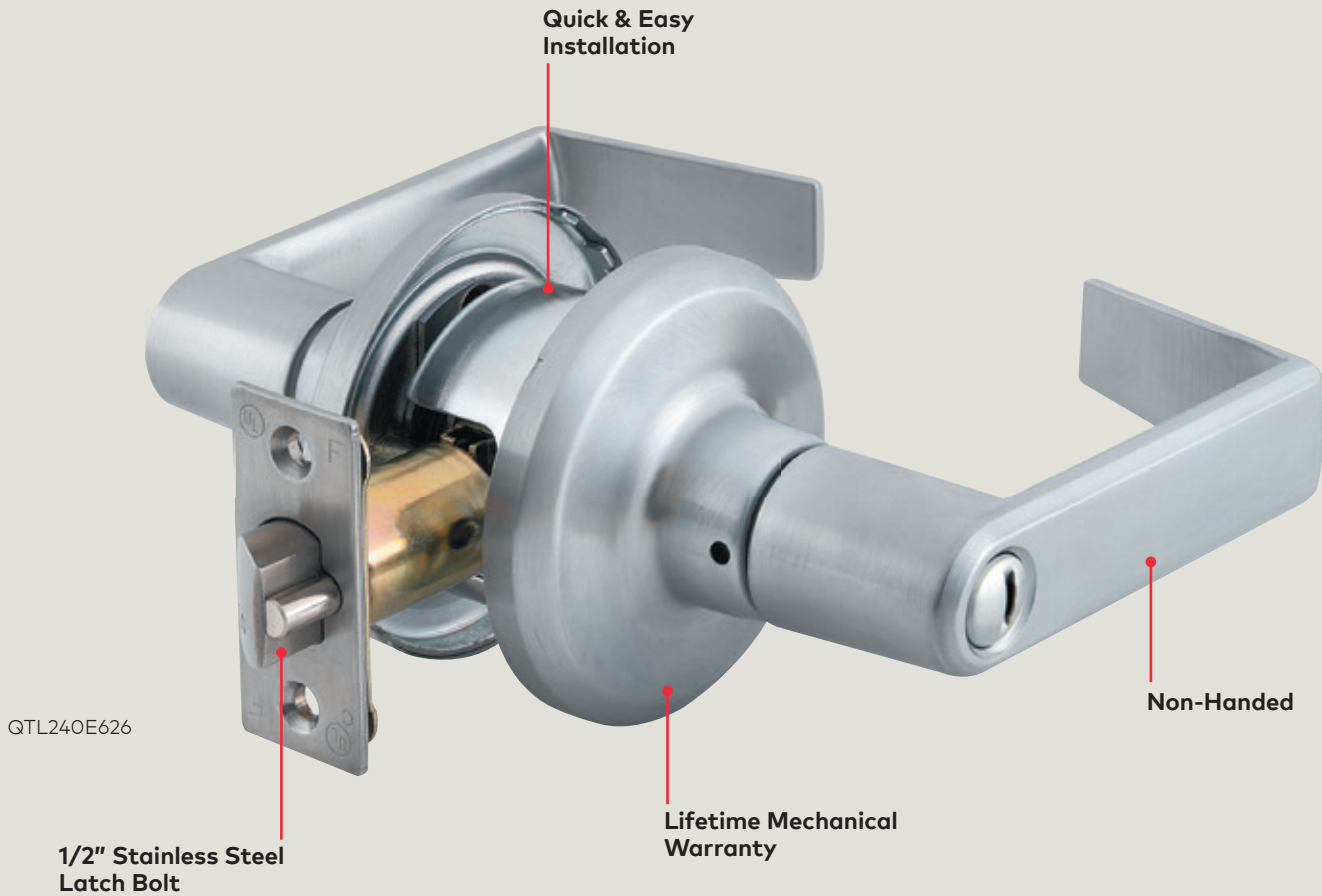


QTL200 Tubular Lock FAQ



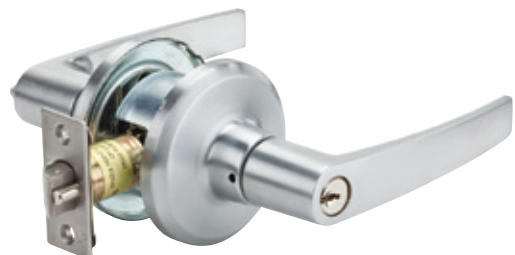
QTL200 Tubular Lock



Additional QTL200 Lever Styles



QTL240M626



QTL250A626

What is the QTL200?

The QTL200 is a grade 2 tubular lever set. Its heavy-duty torsion springs provide longer performance life and prevent lever droop.

Who is the QTL200 customer?

The QTL200 is a cost-effective option for low traffic applications such as multi-family and commercial office spaces.

How hard is it to install the QTL200?

The QTL200 is simple to install and can be done in a few minutes or less once the door is prepped. The QTL200 fits the standard door prep (161). Its few parts and compartmentalized packaging allows for quick and easy installation. .

What functions are offered for the QTL200?

The QTL200 is available in 6 functions (i.e., single dummy, passage, privacy, entry/office, classroom & storeroom).

What door thickness range can the QTL200 accommodate?

The QTL200 is standard to fit doors 1-3/8" – 1-3/4" thick.

What back sets are available for the QTL200?

The QTL200 back set dead locking latch is adjustable from 2-3/8" – 2-3/4". Square and radius latches are available to choose from. The 1/2" latch bolt is constructed of stainless steel for enhanced durability and strength.

What lever styles are offered for the QTL200?

The QTL200 has 3 lever styles (i.e., Sierra, Summit & Slate).

Do you have to specify handing when ordering a QTL200?

The QTL200 is non-handed, so you can simply flip it around to fit the specific application.

Does the QCL200 come with a core?

The QTL200 can be ordered with a Small Format Interchangeable Core (SFIC) or as Less Cylinder.

What keyways are available to order on the QTL200?

The QTL200 is available to order with the following keyways: BEST "F" SFIC, Kwikset "KW", Weiser "E", Schlage "C", Yale "GA" and Sargent "LA".

What finishes are offered for the QTL200?

The QTL200 is available in 5 finishes: 605, 613, 619, 625 & 626. The QTL240 is available in one split trim finish option that features 625 on the interior and 626 on the exterior.

What is the lead time for a QTL200?

The average lead time for a QTL200 is less than 2 weeks.

What warranty does the QTL200 have?

The QTL200 has a limited lifetime mechanical warranty, 3 year finish warranty and a 1 year electrical warranty. The 613 finish is not covered under the 3 year finish warranty.